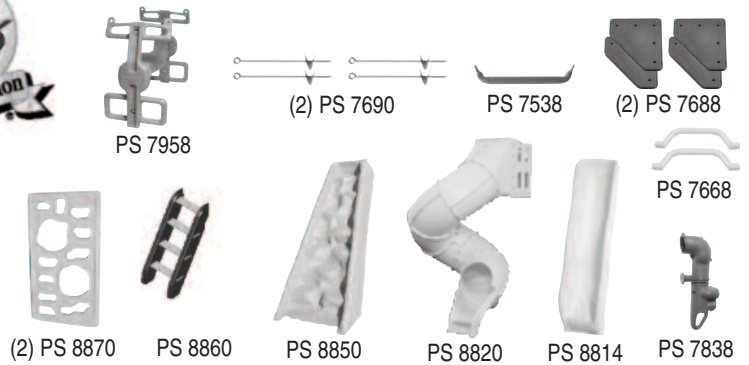


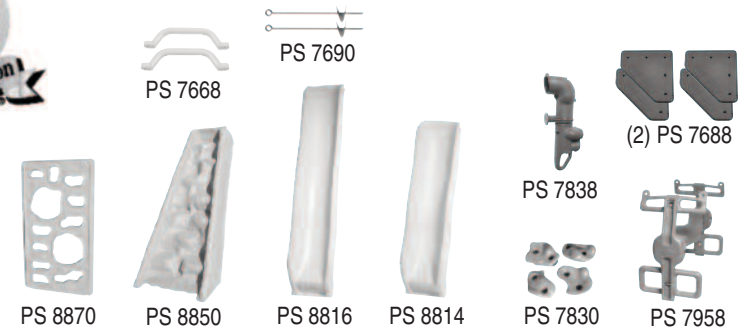
SuperStar



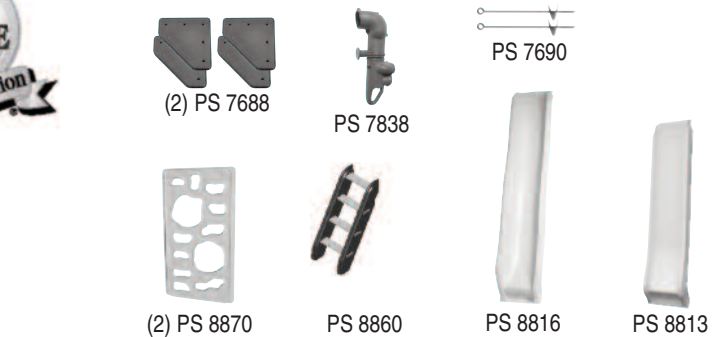
Safety Guide & Building Instructions



Featured Components (purchase separately):



Featured Components (purchase separately):



Featured Components (purchase separately):

We're Here To Help!

Call Toll Free **1-888-752-9782**
 Customer Service: Monday - Friday, 8:00 A.M. to 5:00 P.M. C.S.T.

PS 7725

SAFETY

- This product is intended for single-family residential use only, by children ages two to ten and a maximum weight of 105 pounds. Any recommendation over 10 years of age or 105 pounds exceeds the upper limits specified in the American Society for Testing and Materials (ASTM) Home Playground Safety Standard. In order for PlayStar to comply with the ASTM Standard, we cannot recommend anyone above these limits.
- It is a misuse of this product when installed or used in places of public assembly such as schools or parks.
- Follow the instructions provided, do not alter its design in any way.
- Construction requires at least two adults capable of heavy lifting.
- Thoroughly read all safety instructions before beginning.
- Children must remain clear of construction site until this product is properly installed and ready for use.
- Save these instructions in the event the manufacturer has to be contacted.

The Consumer Product Safety Commission provides the following consumer information for your Home Playground Equipment

Select Protective Surfacing

One of the most important things you can do to reduce the likelihood of serious head injuries is to install shock-absorbing protective surfacing under and around your play equipment. The protective surfacing should be applied to a depth that is suitable for the equipment height in accordance with ASTM F1292. There are different types of surfacing to choose from; whichever product you select, follow these guidelines:

NOTE: Do not install home playground equipment over concrete, asphalt, packed earth, grass, carpet or any other hard surface. A fall onto a hard surface can result in serious injury or death to the equipment user. Grass and dirt are not considered protective surfacing because wear and environmental factors can reduce their shock absorbing effectiveness. Carpeting and thin mats are generally not adequate protective surfacing. Ground level equipment -- such as a sandbox, activity wall, playhouse or other equipment that has no elevated play surface -- does not need any protective surfacing.

Loose-Fill Materials

PlayStar Playsets require fall-height protection from eight feet.

- Maintain a minimum depth of 9 inches of loose-fill materials such as wood mulch / chips, engineered wood fiber (EWF), or shredded/recycled rubber mulch for

equipment up to 8 feet high. NOTE: An initial fill level of 12 inches will compress to about a 9-inch depth of surfacing over time. The surfacing will also compact, displace, and settle, and should be periodically refilled to maintain at least a 9-inch depth.

- Use containment, such as digging out around the perimeter and/or lining the perimeter with landscape edging. Don't forget to account for water drainage.
- Check and maintain the depth of the loose-fill surfacing material. To maintain the right amount of loose-fill materials, mark the correct level on play equipment support posts. That way you can easily see when to replenish and/or redistribute the surfacing.
- **Do not** install loose fill surfacing over hard surfaces such as concrete or asphalt.

Poured-In-Place Surfaces or Pre-Manufactured Rubber Tiles

You may be interested in using surfacing other than loose-fill materials -- like rubber tiles or poured-in-place surfaces.

- Installations of these surfaces generally require a professional and are not "do-it-yourself" projects.
- Review surface specifications before purchasing this type of surfacing. Ask the installer/manufacturer for a report showing that the product has been tested to the following safety standard: ASTM F1292 *Standard Specification for Impact Attenuation of Surfacing Materials within the Use Zone of Playground Equipment*. This report should show the specific height for which the surface is intended to protect against serious head injury.

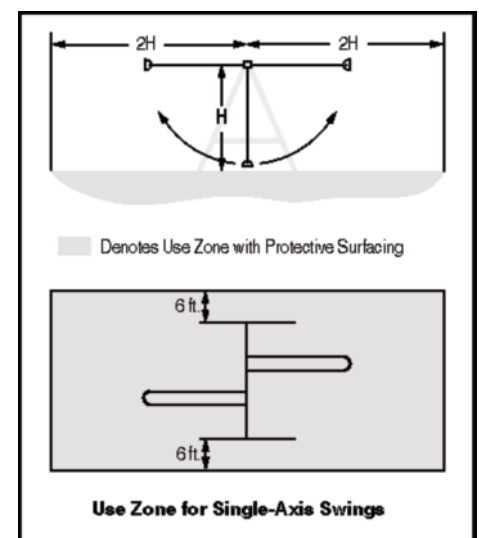
This height should be equal to or greater than the *fall height* - vertical distance between a designated play surface (*elevated surface for standing, sitting, or climbing*) and the protective surfacing below - of your play equipment.

- Check the protective surfacing frequently for wear.

Placement

Proper placement and maintenance of protective surfacing is essential. Be sure to;

- Extend surfacing at least 6 feet from the equipment in all directions.
- For to-fro swings, extend protective surfacing in front of and behind the swing to a distance equal to twice the height of the top bar from which the swing is suspended.



SAFETY

INSTALLATION:

1. Follow the instructions provided, do not alter its design in any way.
2. Place the equipment on level ground, not less than 6' (1.8m) from any structure or obstruction such as a fence, garage, house, overhanging branches, laundry lines or electrical wires. If the area where you will be installing your playset is not level, you must make it level.
3. Playsets must be anchored to the ground. Follow the anchoring instructions provided with your building kit. If soil conditions permit anchors to be pulled out easily, such as in sandy soil conditions, cementing is required.
4. Tighten all bolts securely to the intended member then cut off all protruding threaded ends of bolts with a hack saw **flush to the end of the nut** and remove sharp edges with a metal file.

WARNING: Children must not use the playset until properly installed and proper shock-absorbing surfacing material is in place.

OPERATION: *Observing and following statements and warnings reduces the likelihood of serious or fatal injury.*

1. On-site adult supervision is recommended for children of all ages.

2. Only one child, for each single planned seat or single planned activity should be allowed on this set at one time, with a maximum weight of **105 pounds** for each child.

WARNING: You must teach children the following:

- A. **Not** to walk close to, in front of, behind, or between moving items.
 - B. **Not** to twist swing chains or ropes or loop them over the top support bar since this may reduce the strength of the chain or rope.
 - C. **Avoid** swinging empty seats.
 - D. **To Sit** in the center of the swings with their full weight on the seats.
 - E. **Not** to use the equipment in a manner other than intended.
 - F. **Not** to get off equipment while it is in motion.
 - G. **Not** to climb when equipment is wet.
 - H. **Not** to attach items to the playground equipment that are not specifically designed for use with the equipment such as, but not limited to, jump ropes, clothesline, pet leashes, cables and chain as they may cause a strangulation hazard.
1. **Remove** bike or other sports helmet before playing on the playground equipment.
 3. Verify that suspended climbing ropes are secured at both ends and that they cannot be looped back on themselves.

4. Dress children appropriately and do not allow them to wear inappropriate items, such as but not limited to, loose fitting clothing, hood and neck draw strings, scarves, cord-connected items, capes, and ponchos. These items can cause death by strangulation. Provide well-fitting and full enclosure footwear. Examples of inappropriate footwear are clogs, flip flops, and sandals.
5. Verify that all suspended swinging components have at least 8" clearance between the lowest point of component and top of shock-absorbing surfacing material.

WARNING: Lawn swings are designed for use by children two years of age and older. Use by children under the age of two can result in entrapment between the seat and backrest. **NEVER** place children in a rearward facing position or with legs between the seat and backrest because the child's body may pass through the opening causing entrapment of the child's head.

DISPOSAL:

When the playset is to be retired from service, disassemble and dispose of in such a way that no unreasonable hazards will exist. Follow your local disposal requirements.

ANNUAL MAINTENANCE CHECKLIST

(Copy this section as needed and maintain for your records or visit www.playstarinc.com/maintenance)

At the beginning of play season: Date: _____

- Tighten all hardware.
- Lubricate all metallic moving parts per manufacturer's instructions.
- Check all protective coverings on bolts, pipes, edges, and corners. Replace if they are loose, cracked, or missing.
- Check all moving parts including swing seats, ropes, cables, and chains for wear, rust, or other deterioration. Replace as needed.
- Check metal parts for rust. If found, sand and repaint using a nonlead-based paint meeting the requirements of 16 CFR 1303.
- Check all wood members for deterioration and splinters. Sand down splinters and replace deteriorating wood members.
- Reinstall any plastic parts, such as swing seats or any other items that were removed for the cold season.
- Rake and check depth of loose fill protective surfacing materials to prevent compaction and to maintain appropriate depth. Replace as necessary.

Twice a month during play season: Date: _____

- Tighten all hardware.
- Check all protective coverings on bolts, pipes, edges, and corners. Replace if they are loose, cracked, or missing.
- Rake and check depth of loose fill protective surfacing materials to prevent compaction and to maintain appropriate depth. Replace as necessary.

Once a month during play season: Date: _____

- Lubricate all metallic moving parts per manufacturer's instructions.
- Check all moving parts including swing seats, ropes, cables, and chains for wear, rust, or other deterioration. Replace as needed.

At the end of each play season or when the temperature drops below 0° F: Date: _____

- Remove plastic swing seats and other items as specified by the manufacturer and take indoors or do not use.
- Rake and check depth of loose fill protective surfacing materials to prevent compaction and to maintain appropriate depth. Replace as necessary.

Owner shall be responsible for maintaining the legibility of any warning labels.

If any of these conditions exist, call 1-888-752-9782 for ordering information.

Clean plastic components with warm water and a mild detergent such as dish soap.

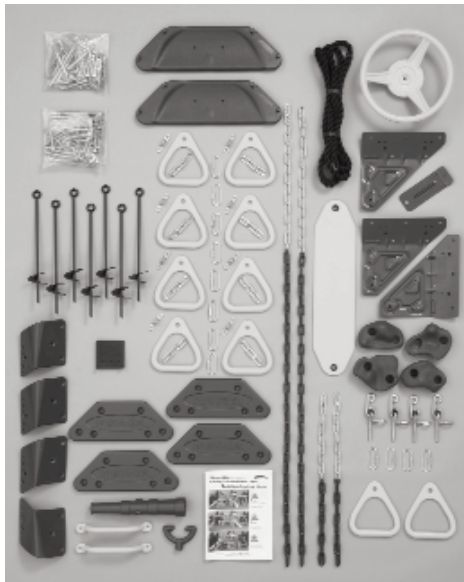
INDEX

Instructions for all three design options are included in this plan

| | |
|--|----------------|
| Drill Template Instructions | 6 |
| Gold Cutting Guide | 8 |
| Roof & Tower Assemblies | 11 |
| Monkey Ring Assembly | 26 |
| 10' Swing Station Assembly | 44 |
| Silver Cutting Guide | 29 |
| Roof & Tower Assemblies | 31 |
| 10' Swing Station Assembly | 44 |
| Bronze Cutting Guide | 49 |
| Roof & Tower Assemblies | 52 |
| 8' Swing Station Assembly | 65 |
| Sturdy-Frame Brace Installation | 70 |
| Anchoring | 71 - 72 |
| Components | 73 - 78 |

COMPONENTS INCLUDED

Super Star XP Contents:



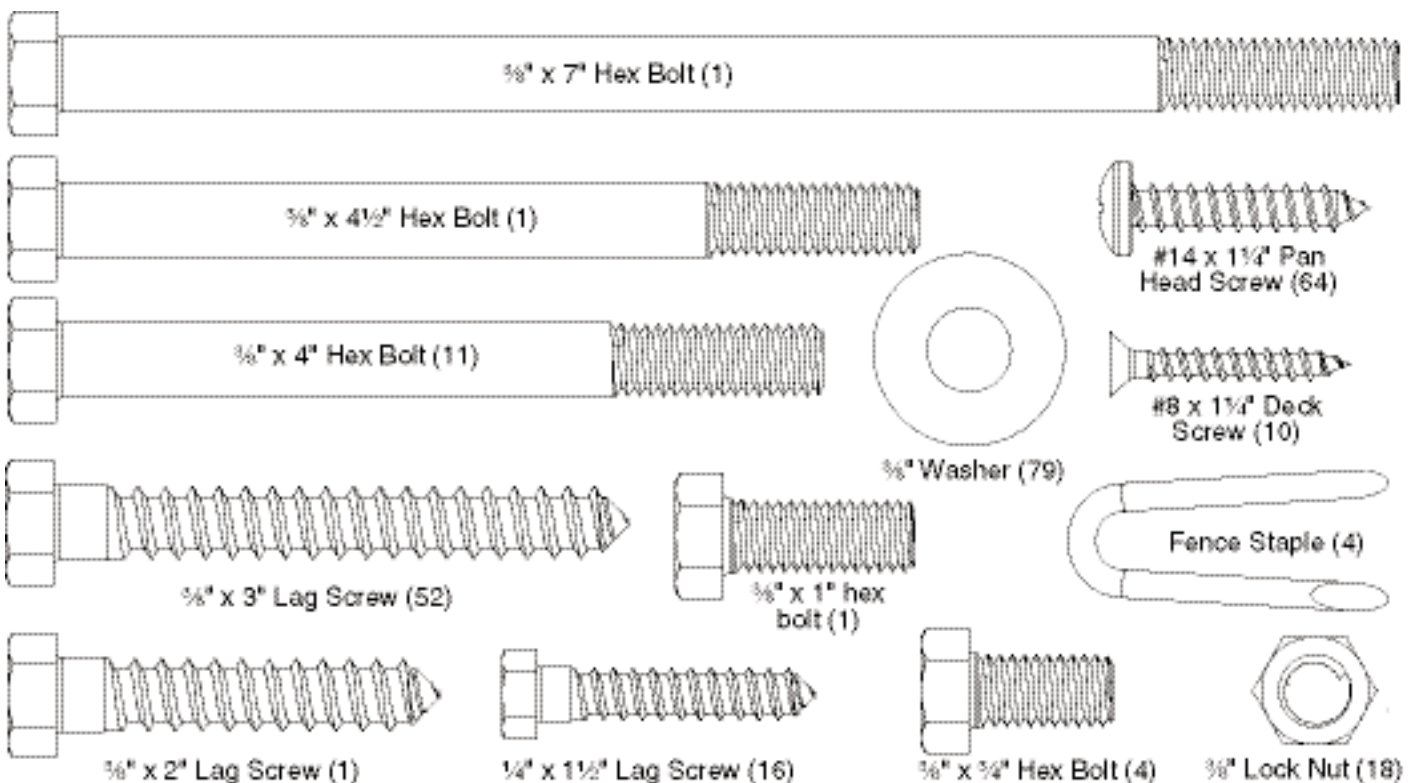
- 1 Steering Wheel
- 1 Swing Seat with Chain/Fasteners
- 1 pr Gym Rings with Chain/Fasteners
- 2 pr Swing Hangers
- 8 Monkey Rings with Chain/Fasteners
- 1 Climbing Rope
- 4 Climbing Rocks
- 1 pr Play Handles
- 1 Discovery Telescope
- 2 Sand Box Seats
- 4 Decorative Roof Caps
- 3 Sturdy-Frame Brackets
- 1 Sturdy-Frame Brace
- 4 Sturdy-Frame Connectors
- 7 Playset Anchors
- 1 Drill Template
- Weather-Resistant Hardware
- Complete Illustrated Instructions

TOOLS REQUIRED

| | | | | |
|----------------------------|-----------------------|----------------------|-----------------------------|------------|
| Socket Wrench | Tape Measure | Square | Hammer | Metal File |
| 7/16", 1/2" & 9/16" Socket | Safety Glasses | Phillips Screwdriver | 1/8", 1/4" & 3/8" Drill Bit | Pencil |
| 9/16" or Adjust. Wrench | Drill | Saw | 3/4" & 1 1/8" Spade Bit | Tape |
| Ladder | Saw Horses (Optional) | Punch | Hack Saw | Chalk |

HARDWARE INCLUDED (shown actual size)

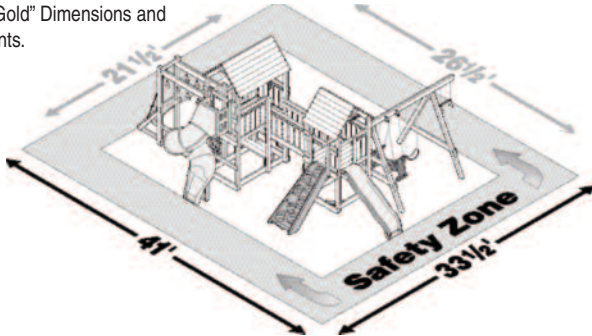
Depending on Design Options, some hardware may not be used.





MINIMUM USE ZONE

Super Star XP "Gold" Dimensions and Area Requirements.



Lumber and Screw Requirements

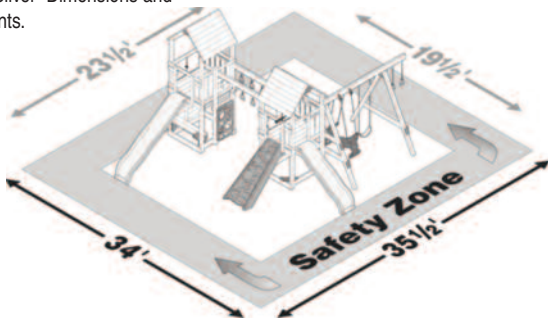
- (4) 4" x 4" x 10'
- (13) 4" x 4" x 8'
- (10) 2" x 6" x 10'
- (6) 2" x 6" x 8'
- (5) 2" x 4" x 10'
- (29) 2" x 4" x 8'
- (2) 5/4" x 6" x 10'
- (37) 5/4" x 6" x 8'
- (1302) #8 x 2 1/2" Deck Screws

GOLD CUTTING GUIDE AND BUILDING INSTRUCTIONS BEGIN ON PAGE 8



MINIMUM USE ZONE

Super Star XP "Silver" Dimensions and Area Requirements.



Lumber and Screw Requirements

- (4) 4" x 4" x 10'
- (9) 4" x 4" x 8'
- (7) 2" x 6" x 10'
- (6) 2" x 6" x 8'
- (5) 2" x 4" x 10'
- (17) 2" x 4" x 8'
- (31) 5/4" x 6" x 8'
- (1017) #8 x 2 1/2" Deck Screws

SILVER CUTTING GUIDE AND BUILDING INSTRUCTIONS BEGIN ON PAGE 29



MINIMUM USE ZONE

Super Star XP "Bronze" Dimensions and Area Requirements.



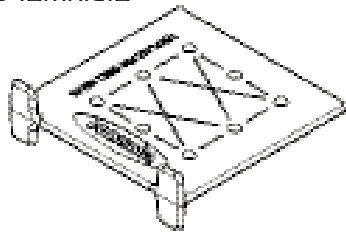
Lumber and Screw Requirements

- (13) 4" x 4" x 8'
- (4) 2" x 6" x 10'
- (9) 2" x 6" x 8'
- (1) 2" x 4" x 10'
- (14) 2" x 4" x 8'
- (11) 5/4" x 6" x 10'
- (5) 5/4" x 6" x 8'
- (793) #8 x 2 1/2" Deck Screws

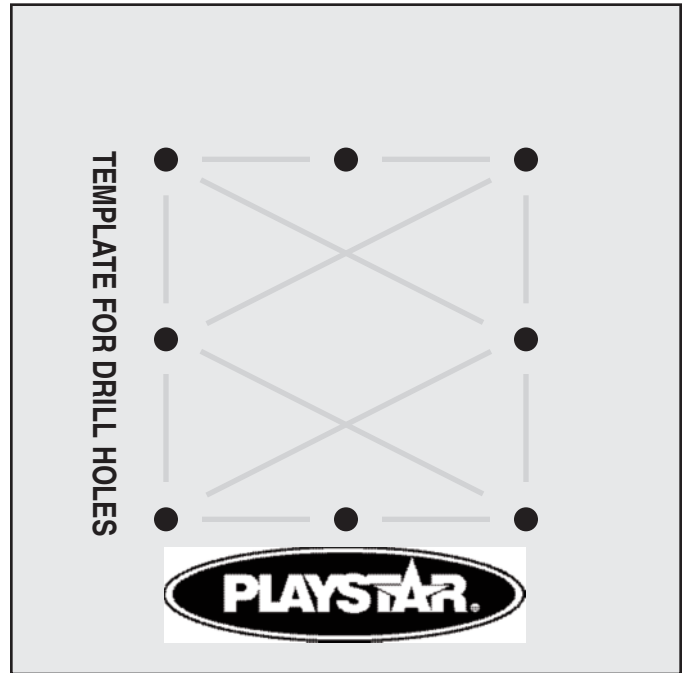
BRONZE CUTTING GUIDE AND BUILDING INSTRUCTIONS BEGIN ON PAGE 49

How To Use Your Marking Template for Drill Holes:

Your building kit includes this template to help you create most of the hole patterns needed to build your playset. Once the template is in position, mark only the holes that need to be drilled for each pattern the template before drilling.



The rigid version of the template like the one shown here can be found inside one of the hardware boxes.



Actual Size Template

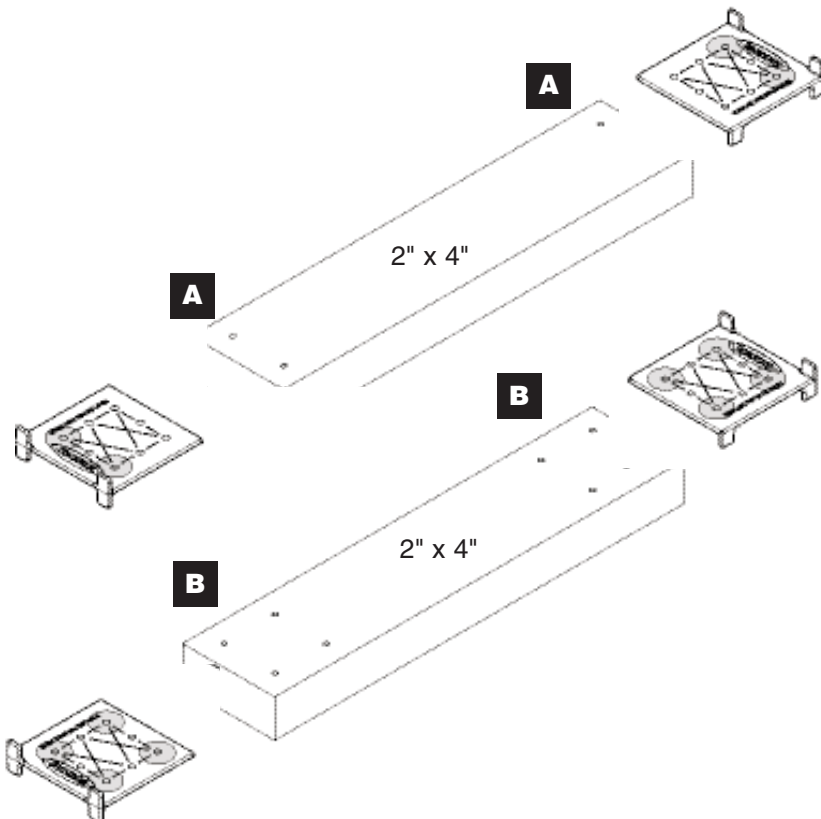
Warning: Do not drill holes through the template as you may damage the template.

Use an $\frac{1}{8}$ " drill bit for all holes unless noted (see patterns G & J)

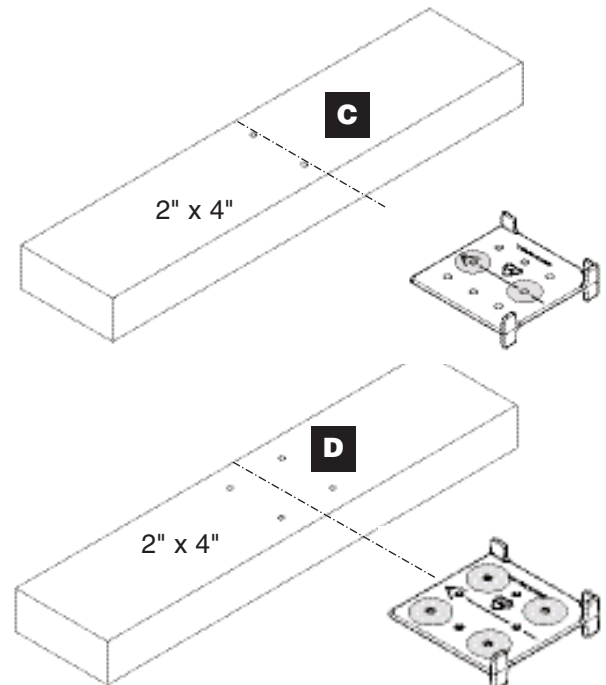
Note: When the PlayStar logo is showing, the three tabs on the bottom will position the template square with any two edges. When the arrow is showing, the two tabs on the bottom will position the template square with one edge only, which will allow you to slide the template anywhere along the board.

PLEASE NOTE

(Letters represent pattern not position)

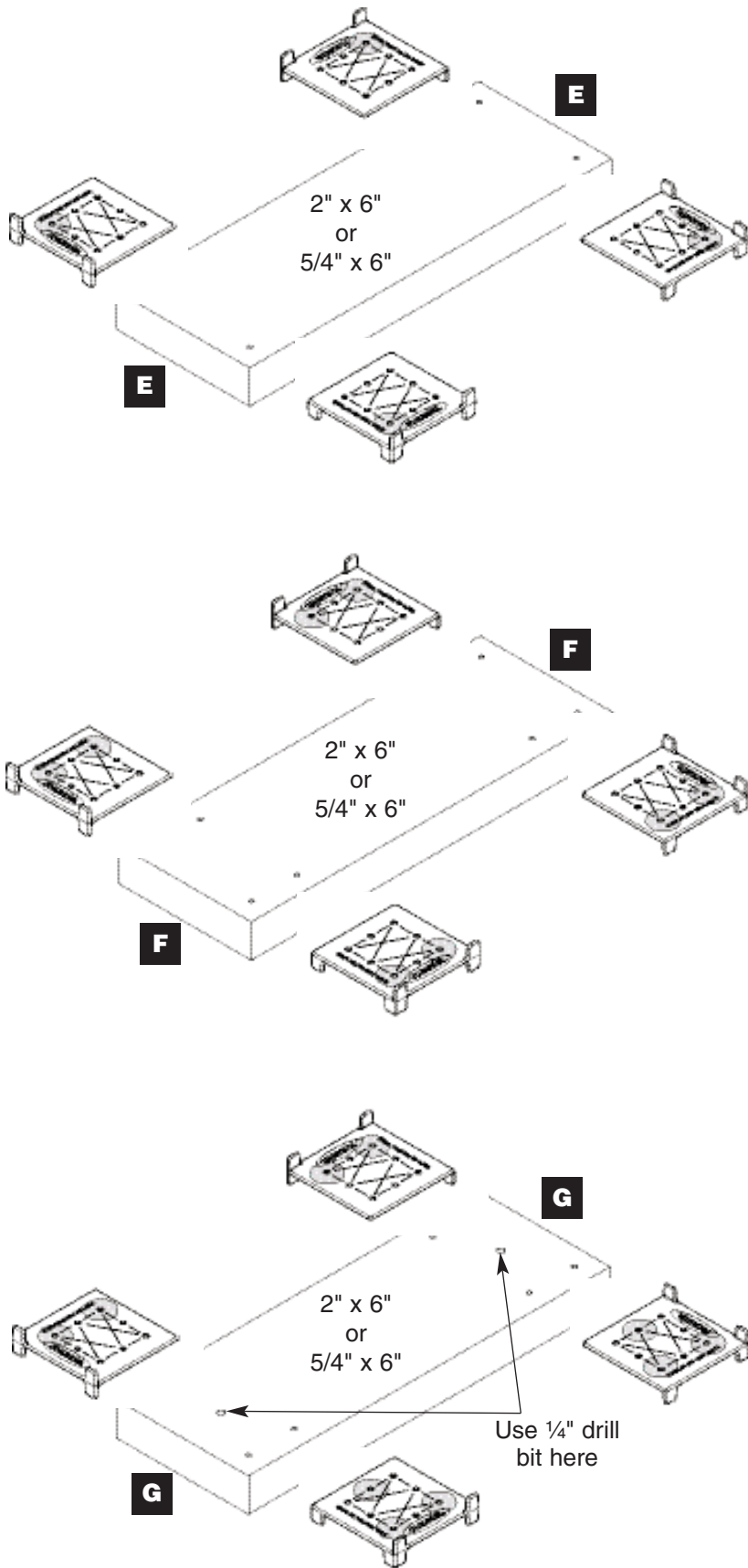


Patterns **C** and **D** can be created anywhere along the board by turning the template over (arrow side up) and sliding it to the desired position. Use the shaded holes for that pattern.

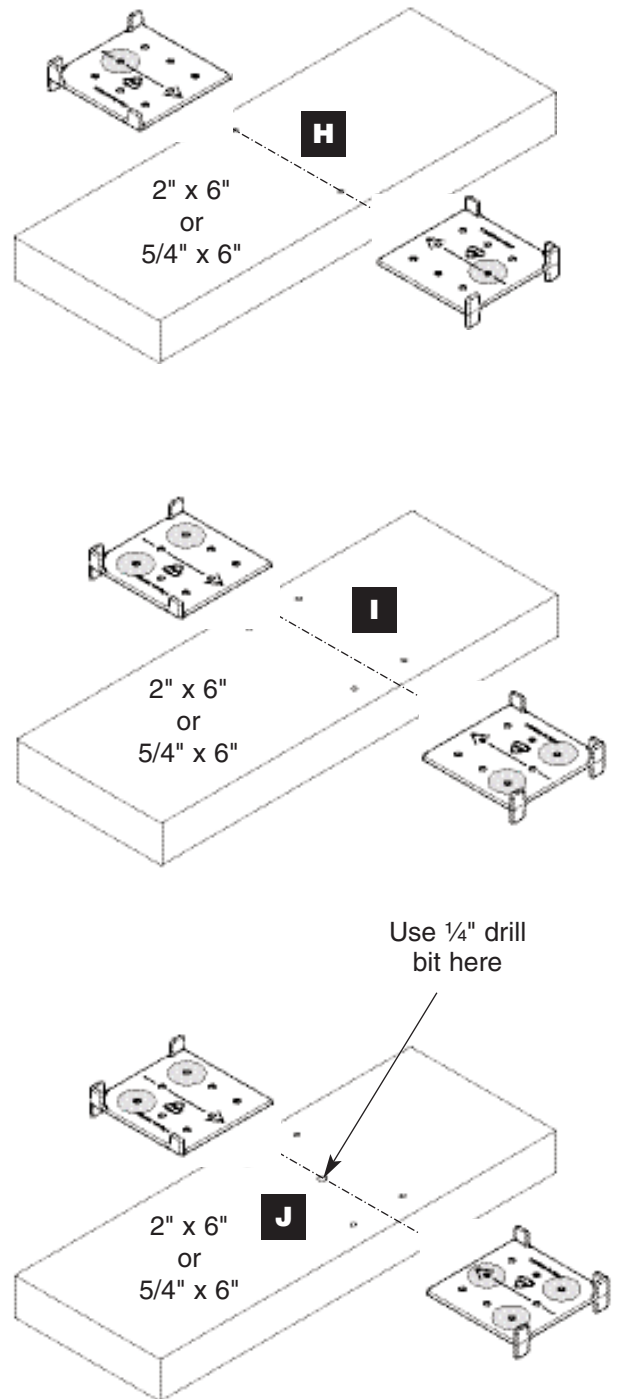


PLEASE NOTE

(Letters represent pattern not position)



Pattern **H**, **I** and **J** can be created anywhere along the board by turning the template over (arrow side up) and sliding it to the desired position. Use the shaded holes for that pattern.



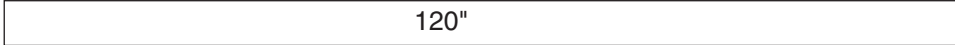
CUTTING GUIDE - GOLD

Before starting to build your Playset, make sure all boards are cut and identified by size. Stack identical size boards in neat piles.

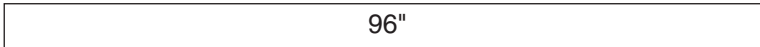
(If you do not want to mark on lumber, use masking tape or chalk.)

This will improve your building time greatly because you will already know the size of each board as the instructions call for them.


4" x 4" x 10' – four (4) boards required

(4) boards  120"

4" x 4" x 8' – thirteen (13) boards required

(10) boards  96"

(2) boards  92½"

(1) board  80½"

2" x 6" x 10' – ten (10) boards required

(2) boards  120"

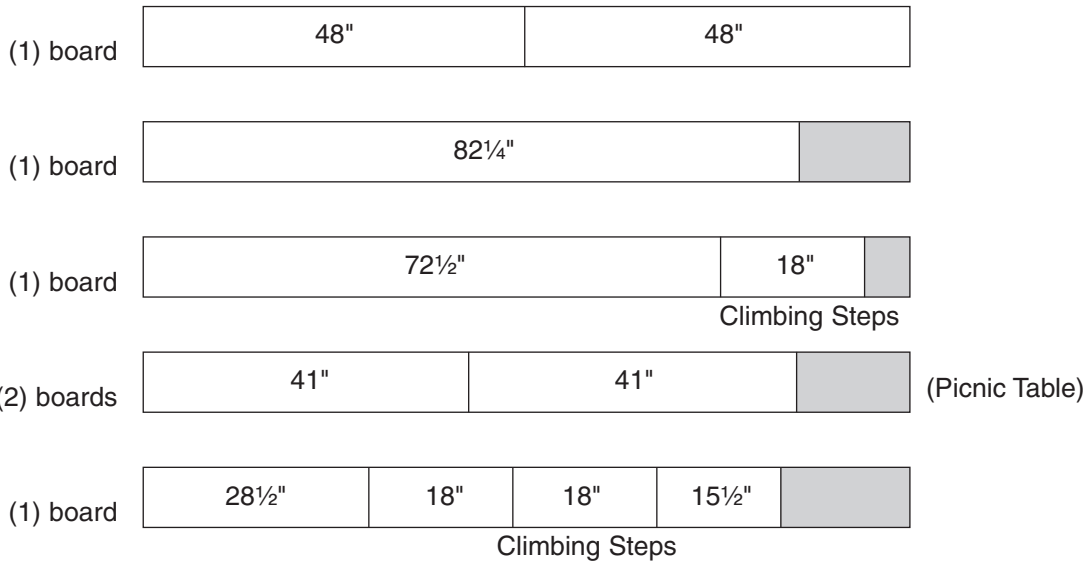
(1) board  60" 60"

(4) boards  72" 48"

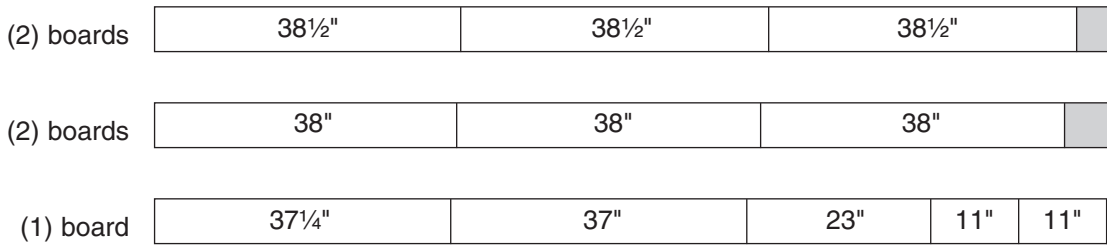
(1) board  65¼" 48"

(2) boards  65" 48"

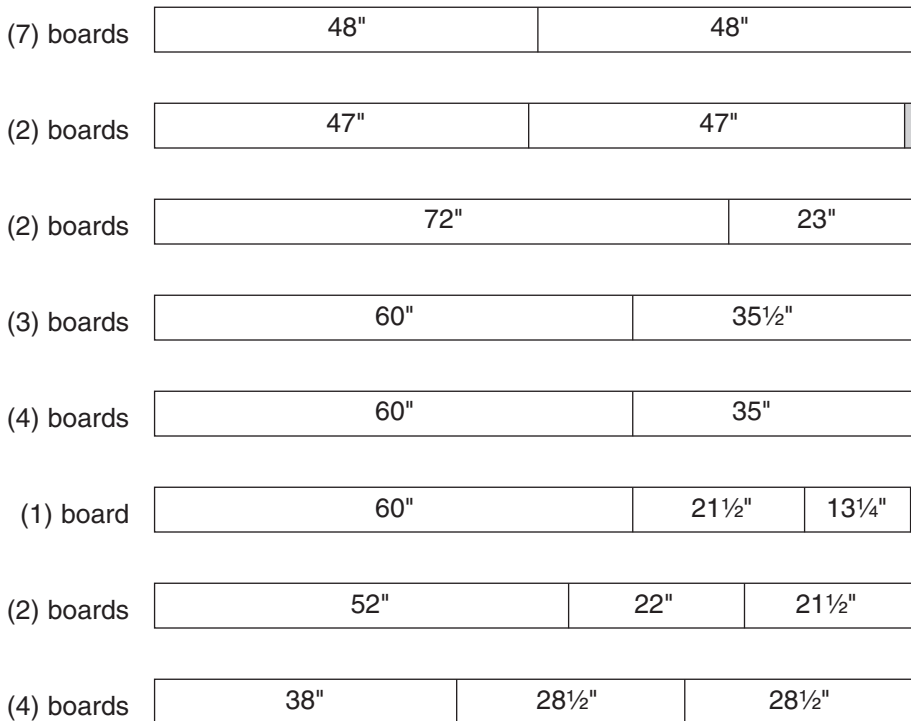
2" x 6" x 8' – six (6) boards required



2" x 4" x 10' – five (5) boards required



2" x 4" x 8' – twenty-nine (29) boards required



2" x 4" x 8' – twenty-nine (29) boards required (continued)

| | | | | |
|-----------|------|------|------|--|
| (1) board | 33½" | 33½" | 28½" | |
|-----------|------|------|------|--|

| | | | | |
|-----------|-----|-----|-----|--|
| (1) board | 37" | 37" | 11" | |
|-----------|-----|-----|-----|--|

| | | | | | | |
|-----------|-----|------|------|------|-----|--|
| (1) board | 38" | 13¼" | 13¼" | 13¼" | 11" | |
|-----------|-----|------|------|------|-----|--|

| | | | | | | |
|-----------|------|------|------|------|--|-------------------|
| (1) board | 24¼" | 24¼" | 21¼" | 21¼" | | (Tube Slide Base) |
|-----------|------|------|------|------|--|-------------------|

5/4" x 6" x 10' – two (2) boards required

| | | | | | | |
|-----------|------|------|------|------|-----|-----|
| (1) board | 21½" | 21½" | 21½" | 18½" | 18" | 18" |
|-----------|------|------|------|------|-----|-----|

| | | | | | | |
|-----------|-----|------|------|------|-----|-----|
| (1) board | 24" | 21½" | 18½" | 18½" | 18" | 18" |
|-----------|-----|------|------|------|-----|-----|

5/4" x 6" x 8' – thirty-seven (37) boards required

| | | |
|-------------|-----|-----|
| (10) boards | 48" | 48" |
|-------------|-----|-----|

| | | |
|-------------|-----|-----|
| (21) boards | 72" | 24" |
|-------------|-----|-----|

| | | | |
|-----------|-----|-----|-----|
| (1) board | 48" | 24" | 24" |
|-----------|-----|-----|-----|

| | | | | |
|------------|-----|-----|-----|------|
| (3) boards | 24" | 24" | 24" | 21½" |
|------------|-----|-----|-----|------|

| | | | | | |
|------------|------|------|------|------|------|
| (2) boards | 21½" | 18½" | 18½" | 18½" | 18½" |
|------------|------|------|------|------|------|

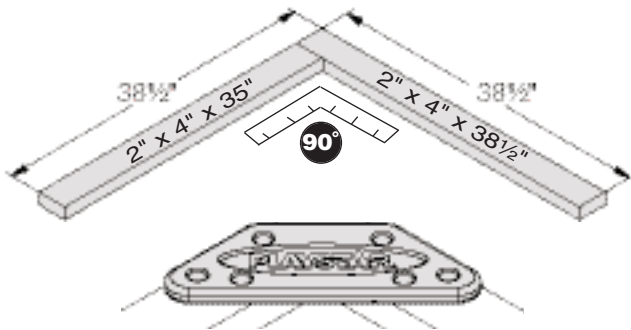
Front Tower Roof Assembly - GOLD

Items for STEP 1:

- (2) 2" x 4" x 38½" boards
- (2) 2" x 4" x 35" boards
- (2) Roof Caps
- (12) #14 x 1¼" pan head screws

On a flat surface position boards together as shown. Keep boards square while attaching roof cap to boards with #14 x 1¼" pan head screws.

Repeat for second assembly.



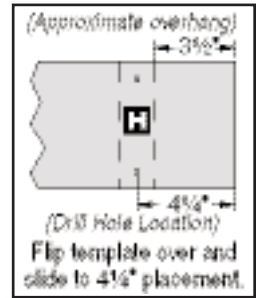
Items for STEP 2:

- (2) Step 1 Assemblies
- (4) 5/4" x 6" x 48" boards
- (16) #8 x 2½" deck screws

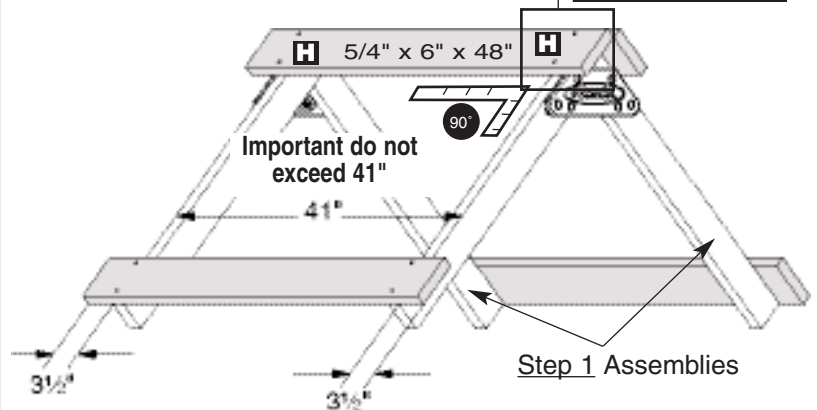
Hold assemblies 41" apart. Position boards flush at the top and bottom as shown.

Keep boards square and secure with #8 x 2½" deck screws.

Repeat for other side.



SEE PAGE 7 FOR HOLE PATTERNS



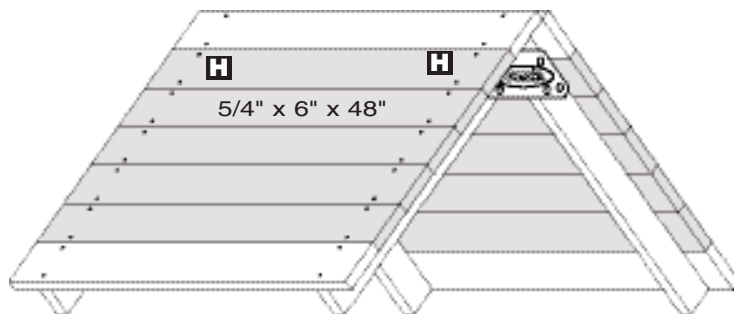
Items for STEP 3:

- (10) 5/4" x 6" x 48" boards
- (40) #8 x 2½" deck screws

Start at the top and attach boards between top and bottom boards as shown. Secure with #8 x 2½" deck screws.

Note: If the last board doesn't fit because the boards are oversized, remove the bottom board and reattach.

Repeat for other side.

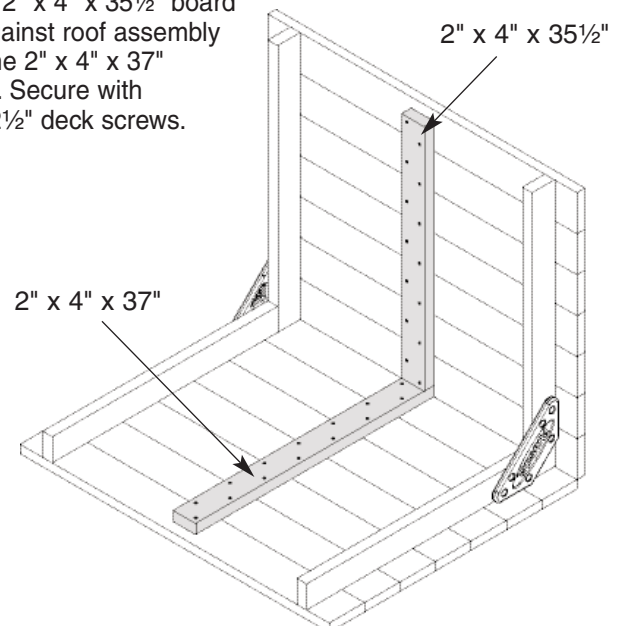


Items for STEP 4:

- (1) 2" x 4" x 37" board
- (1) 2" x 4" x 35½" board
- (28) #8 x 2½" deck screws

From the underside of roof assembly, place 2" x 4" x 37" board flat against roof assembly centered as shown. Secure with two #8 x 2½" deck screws per each roof board.

Place 2" x 4" x 35½" board flat against roof assembly and the 2" x 4" x 37" board. Secure with #8 x 2½" deck screws.



SEE PAGE 7 FOR HOLE PATTERNS

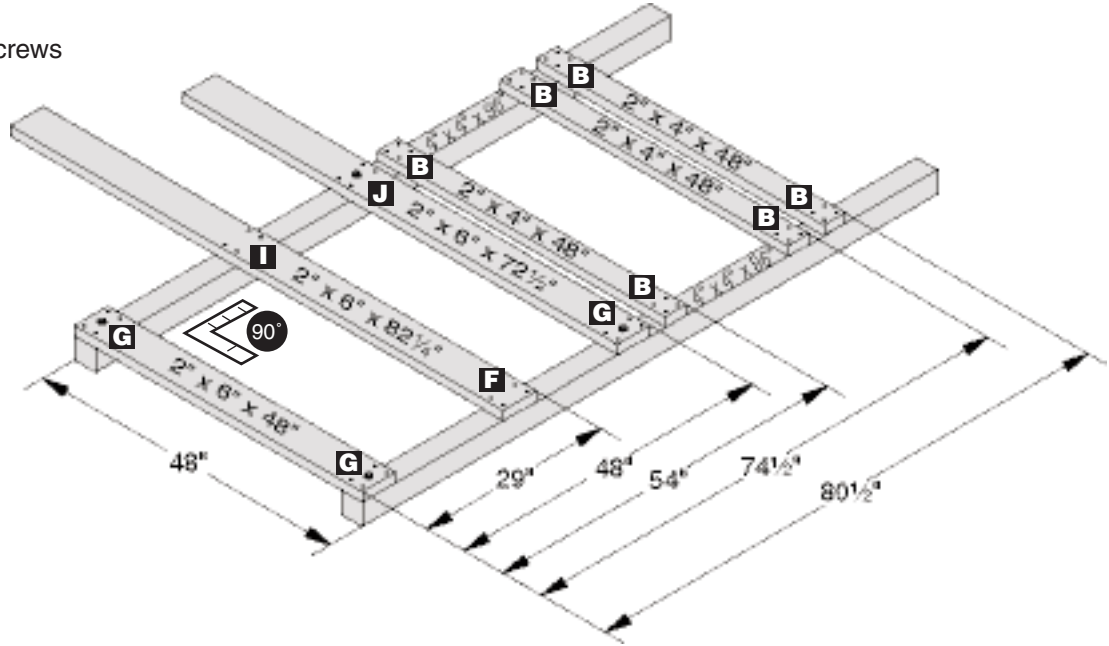
FRONT TOWER ASSEMBLY - GOLD

Items for STEP 1:

- (2) 4" x 4" x 96" boards
- (1) 2" x 6" x 82½" board
- (1) 2" x 6" x 72½" board
- (1) 2" x 6" x 48" board
- (3) 2" x 4" x 48" boards
- (4) ⅜" x 3" lag screws
- (4) ⅜" washers
- (48) #8 x 2½" deck screws

On a flat surface position boards at dimensions shown. Keep assembly square while securing with #8 x 2½" deck screws.

Install ⅜" x 3" lag screws with ⅜" washers at **G** and **J**.



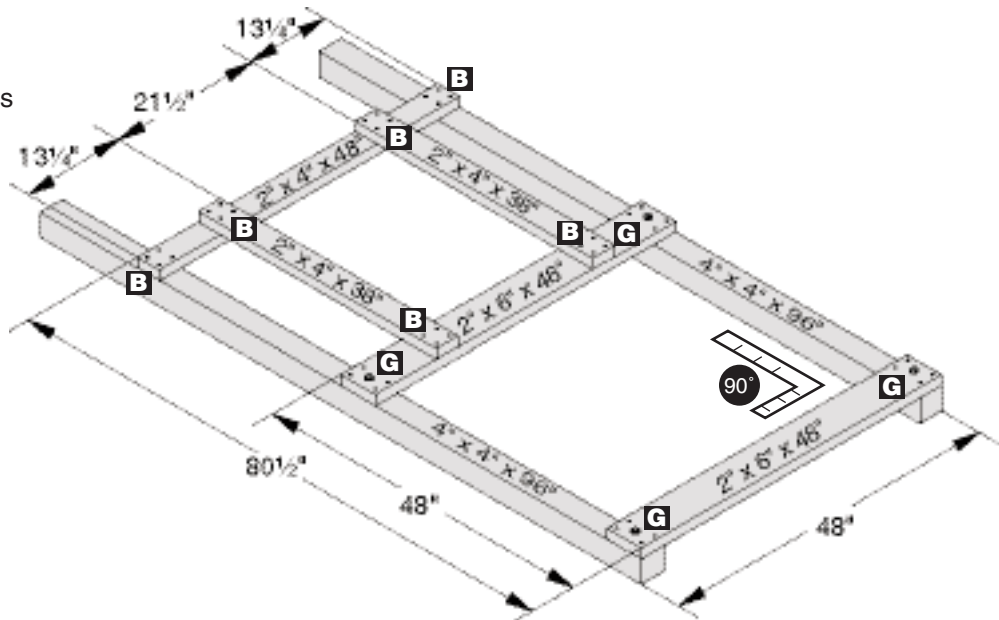
SEE PAGES 6 & 7 FOR
HOLE PATTERNS

Items for STEP 2:

- (2) 4" x 4" x 96" boards
- (2) 2" x 6" x 48" boards
- (1) 2" x 4" x 48" board
- (2) 2" x 4" x 38" boards
- (4) ⅜" x 3" lag screws
- (4) ⅜" washers
- (40) #8 x 2½" deck screws

On a flat surface position boards at dimensions shown. Keep assembly square while securing with #8 x 2½" deck screws.

Install ⅜" x 3" lag screws with ⅜" washers at **G**.



SEE PAGES 6 & 7 FOR
HOLE PATTERNS

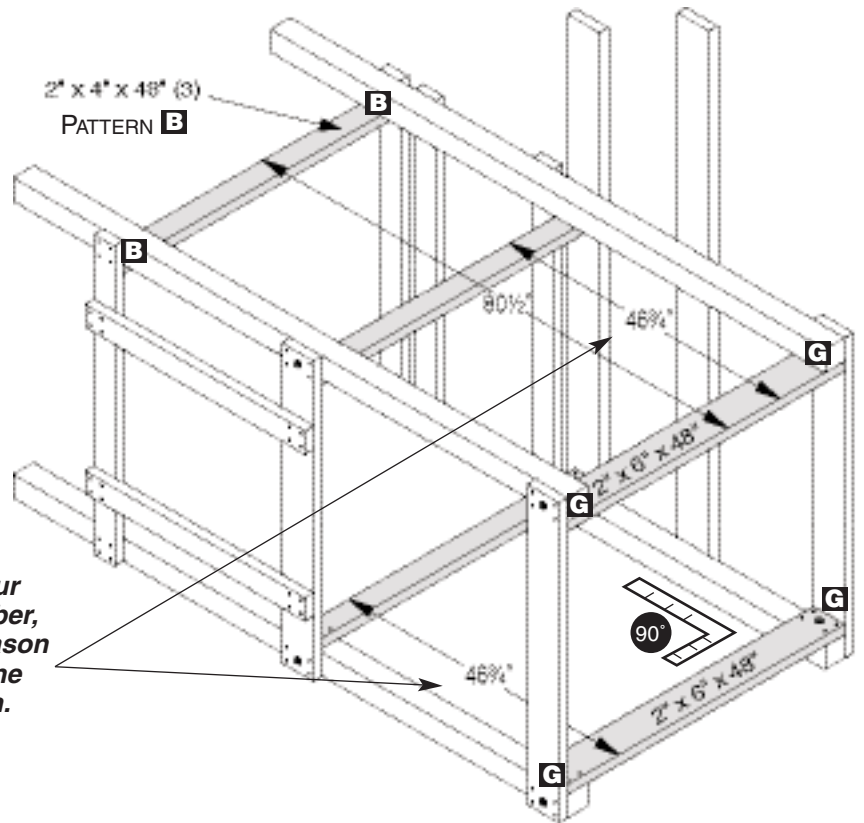
Items for STEP 3:

- (2) 2" x 6" x 48" boards
- (3) 2" x 4" x 48" boards
- (4) 3/8" x 3" lag screws
- (4) 3/8" washers
- (40) #8 x 2 1/2" deck screws

Position boards between assemblies as shown. Keep square while securing with #8 x 2 1/2" deck screws.

Install 3/8" x 3" lag screws with 3/8" washers at **G**.

Note: *If you are using 2" x 6" lumber for your deck boards in place of 5/4" x 6" lumber, this dimension must be 46 1/2". The reason is 2" x 6" lumber is 1/4" thicker than the 5/4" x 6" lumber called for in this plan.*



SEE PAGES 6 & 7 FOR HOLE PATTERNS

Items for STEP 4:

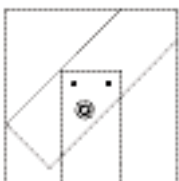
- (1) Roof Assembly
- (4) 3/8" x 3" lag screws
- (4) 3/8" washers
- (8) #8 x 2 1/2" deck screws

Position roof assembly so both sides of roof overhang 4" x 4" boards equally. Secure each corner with two #8 x 2 1/2" deck screws and one 3/8" x 3" lag screw with 3/8" washer. (See below for detail of screw placement.)

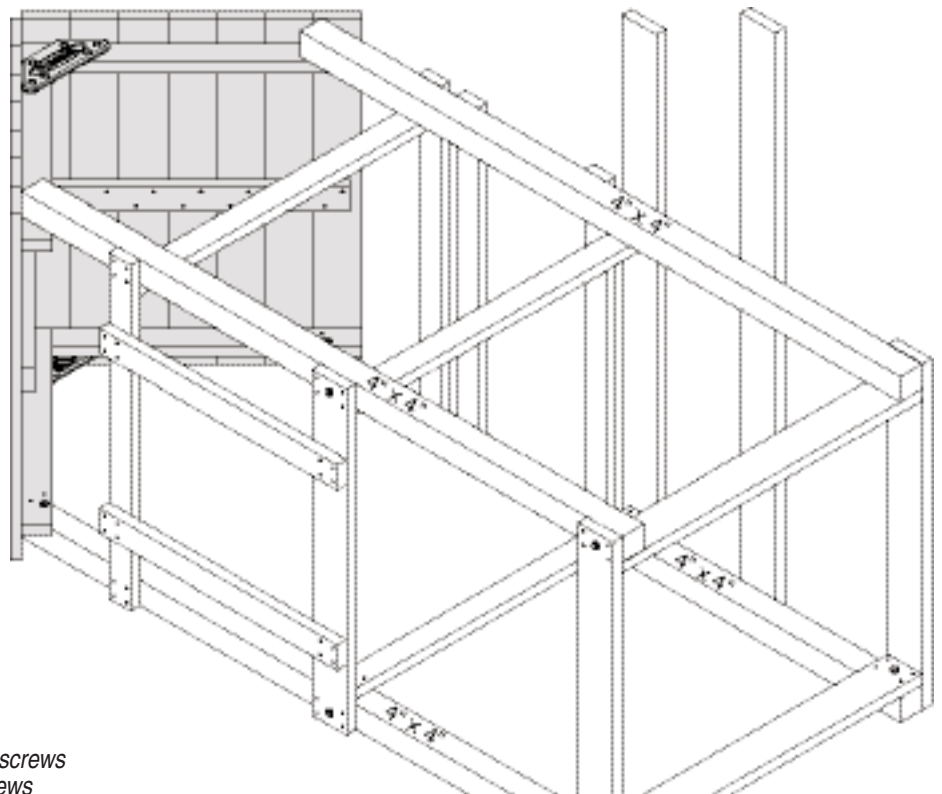
Lift tower assembly upright and position in desired location.

Caution: *Ground must be level. Installation on a hill or incline will create unsafe conditions.*

Detail of Screw Placement



*Predrill –
1/8" Dia. for #8 x 2 1/2" deck screws
1/4" Dia. for 3/8" x 3" lag screws*



Items for **STEP 5:**

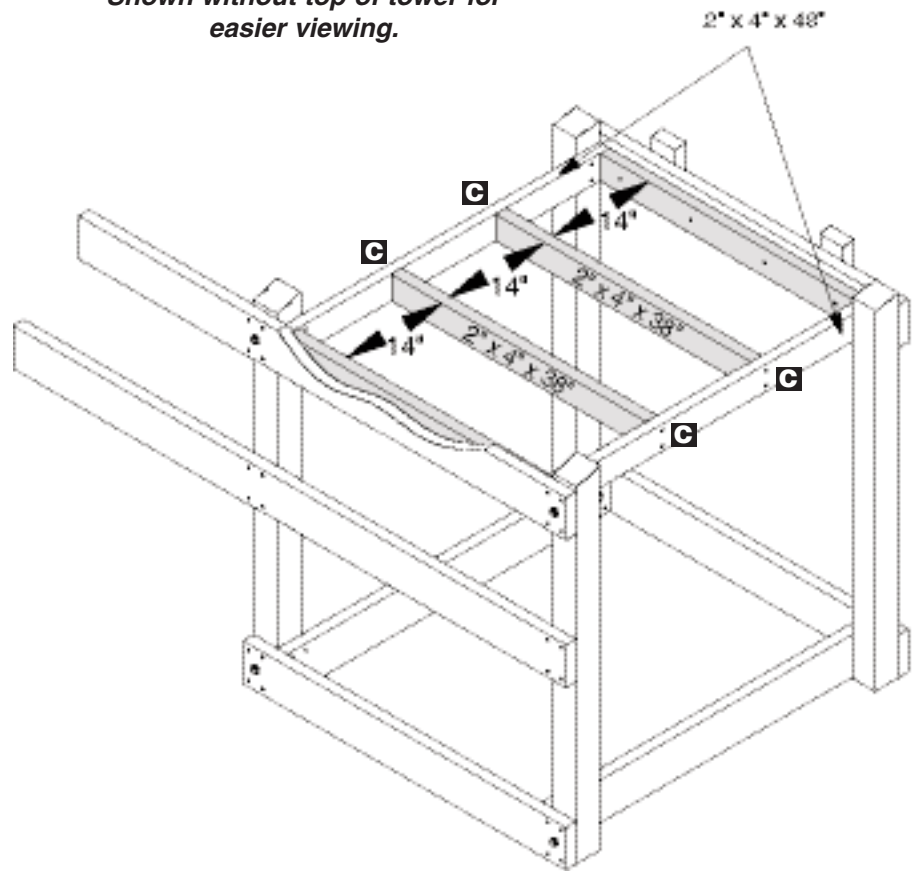
- (4) 2" x 4" x 38" boards
- (16) #8 x 2½" deck screws

Position boards flush with the top of the 2" x 4" x 48" boards.

Secure the two outside boards with four #8 x 2½" deck screws evenly spaced.

Secure center boards with #8 x 2½" deck screws.

Shown without top of tower for easier viewing.



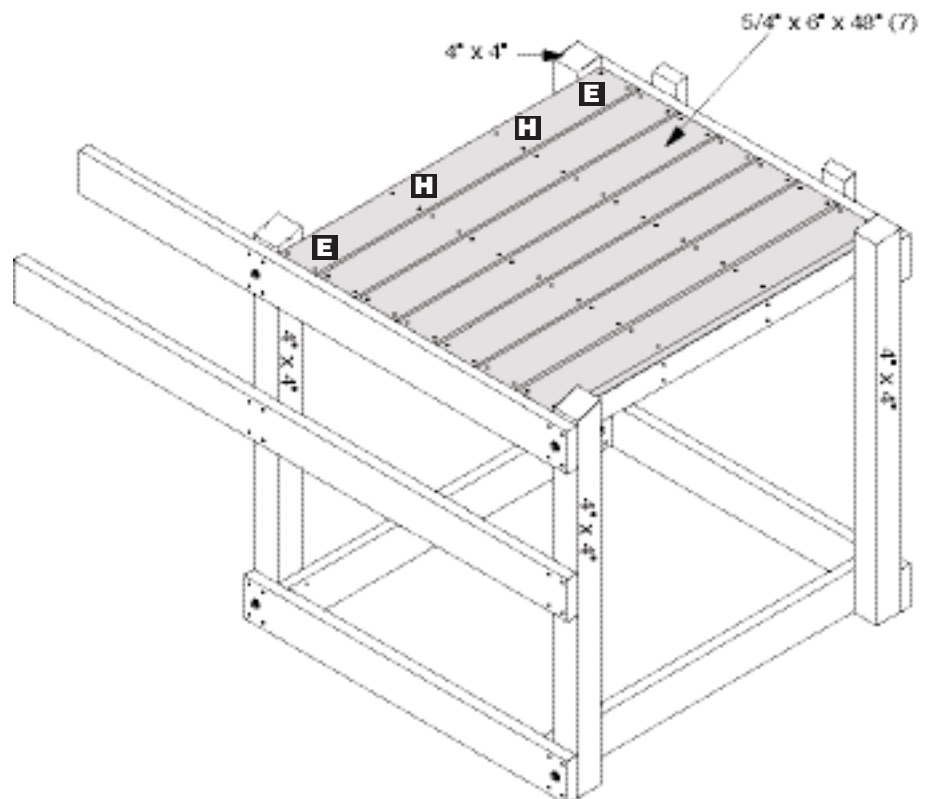
**SEE PAGE 6 FOR
HOLE PATTERNS**

Items for **STEP 6:**

- (7) 5/4" x 6" x 48" boards
- (56) #8 x 2½" deck screws

Position outside boards tight against the 4" x 4" boards and equally space inside boards as shown. Secure with #8 x 2½" deck screws.

Caution: *Gap between boards must be smaller than ¼" or larger than ½" or a finger entrapment could exist.*



**SEE PAGE 7 FOR
HOLE PATTERNS**



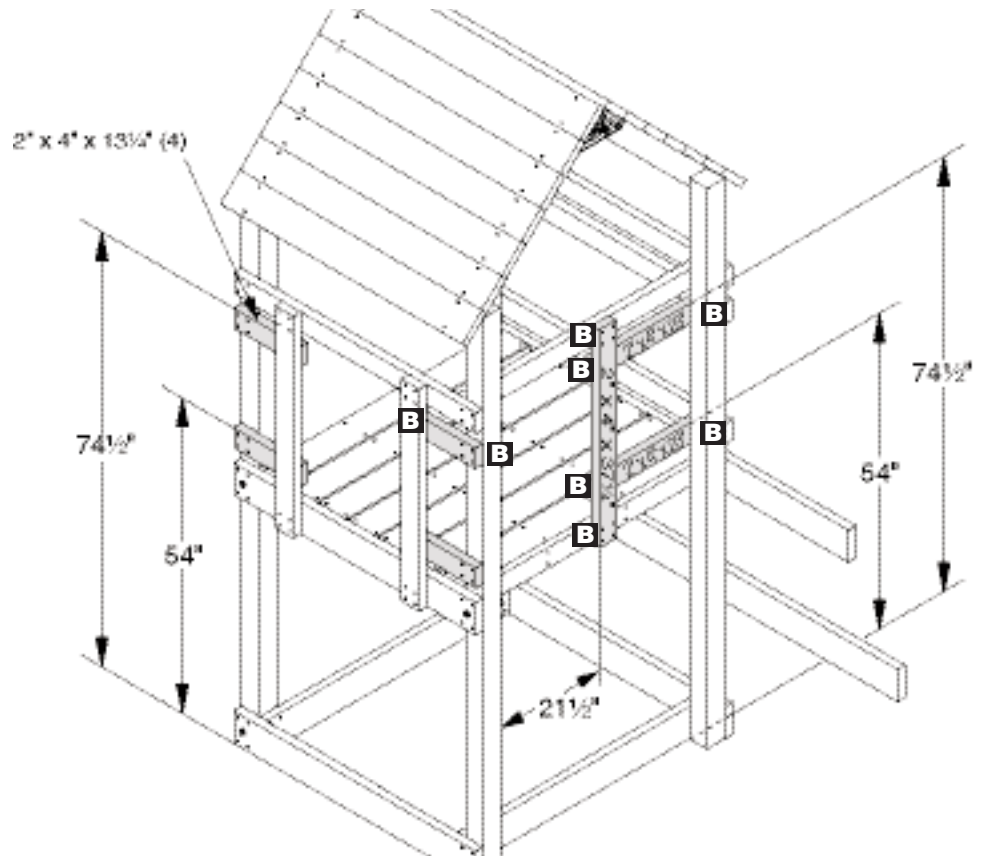
If you purchased the optional *Adventure Tunnel Kit (PS 8876)*, it must be installed now. Follow the building instructions included with the *Adventure Tunnel Kit*. Then continue with **Step 8** of these instructions. If you are not installing the *Adventure Tunnel Kit*, proceed with these instructions.

Items for STEP 7:

- (1) 2" x 4" x 37 1/4" board
- (2) 2" x 4" x 23" boards
- (4) 2" x 4" x 13 1/4" boards
- (56) #8 x 2 1/2" deck screws

Position boards at dimensions shown. Secure with #8 x 2 1/2" deck screws.

SEE PAGE 6 FOR HOLE PATTERNS

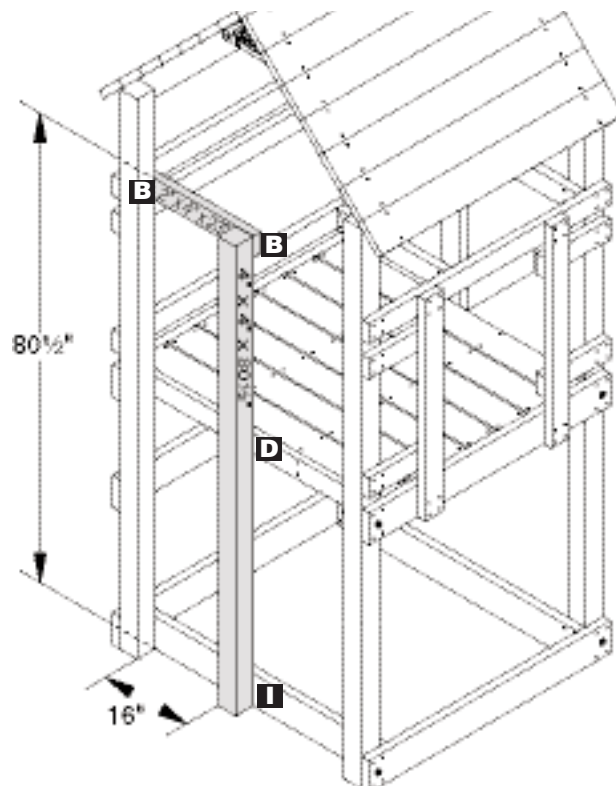


Items for STEP 8:

- (1) 4" x 4" x 80 1/2" board
- (1) 2" x 4" x 23" board
- (16) #8 x 2 1/2" deck screws

Position boards at dimensions shown. Secure with #8 x 2 1/2" deck screws.

SEE PAGES 6 & 7 FOR HOLE PATTERNS

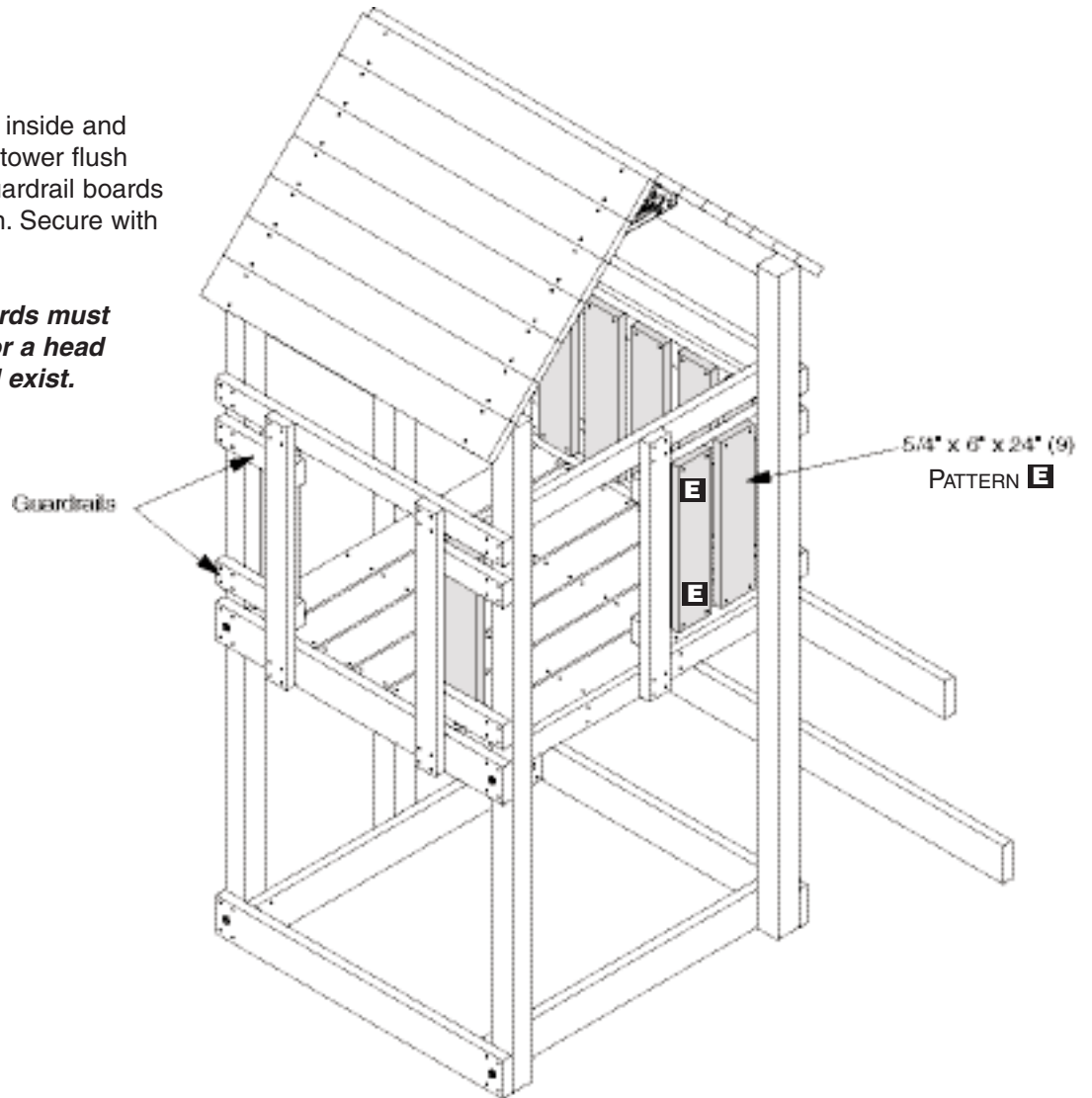


Items for STEP 9:

- (9) 5/4" x 6" x 24" boards
- (36) #8 x 2½" deck screws

Position seven boards on the inside and two boards on the outside of tower flush with the top and bottom of guardrail boards and equally spaced as shown. Secure with #8 x 2½" deck screws.

Caution: *Gap between boards must not exceed 3½" or a head entrapment could exist.*



**SEE PAGE 7 FOR
HOLE PATTERNS**

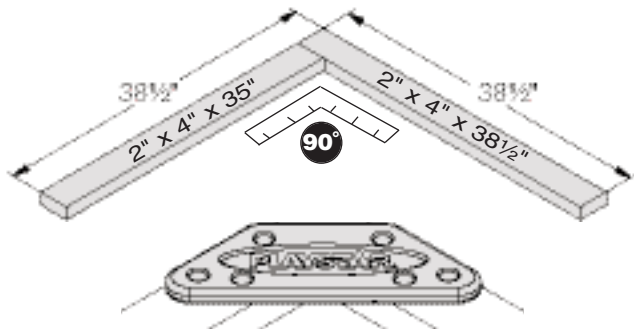
Back Tower Roof Assembly - GOLD

Items for STEP 1:

- (2) 2" x 4" x 38½" boards
- (2) 2" x 4" x 35" boards
- (2) Roof Caps
- (12) #14 x 1¼" pan head screws

On a flat surface position boards together as shown. Keep boards square while attaching roof cap to boards with #14 x 1¼" pan head screws.

Repeat for second assembly.



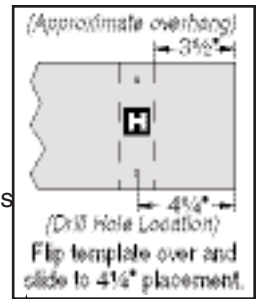
Items for STEP 2:

- (2) Step 1 Assemblies
- (4) 5/4" x 6" x 72" boards
- (16) #8 x 2½" deck screws

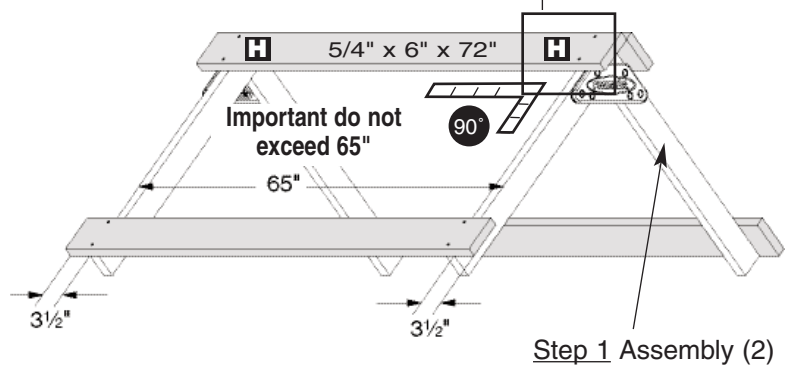
Hold assemblies 65" apart. Position boards flush at the top and bottom as shown.

Keep boards square and secure with #8 x 2½" deck screws.

Repeat for other side.



SEE PAGE 7 FOR HOLE PATTERNS



Step 1 Assembly (2)

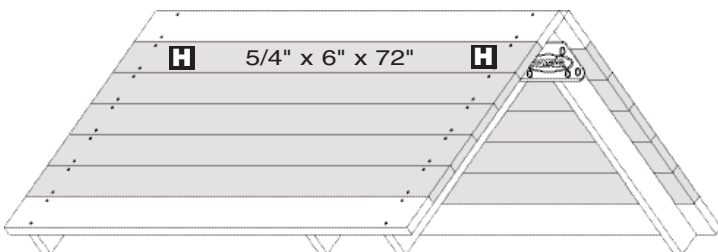
Items for STEP 3:

- (10) 5/4" x 6" x 72" boards
- (40) #8 x 2½" deck screws

Start at the top and attach boards between top and bottom boards as shown. Secure with #8 x 2½" deck screws.

Note: If the last board doesn't fit because the boards are oversized, remove the bottom board and reattach.

Repeat for other side.



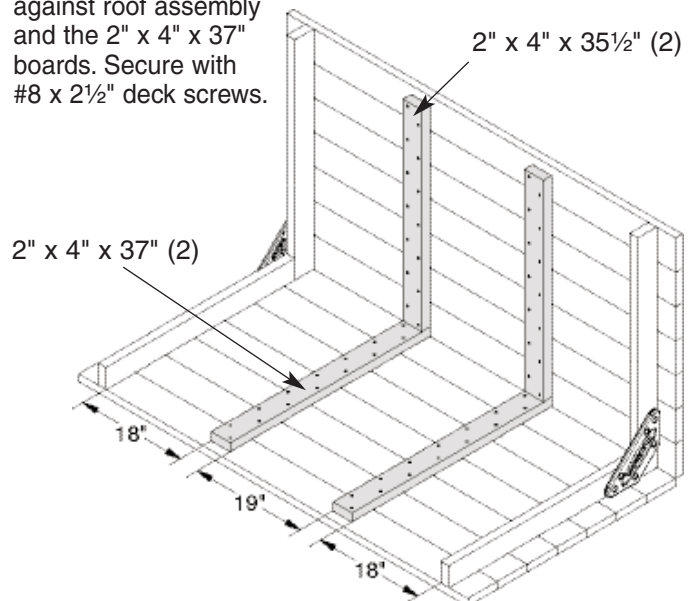
SEE PAGE 7 FOR HOLE PATTERNS

Items for STEP 4:

- (2) 2" x 4" x 37" boards
- (2) 2" x 4" x 35½" boards
- (56) #8 x 2½" deck screws

From the underside of roof assembly, place 2" x 4" x 37" boards flat against roof assembly at dimensions shown. Secure with two #8 x 2½" deck screws per each roof board.

Place 2" x 4" x 35½" boards flat against roof assembly and the 2" x 4" x 37" boards. Secure with #8 x 2½" deck screws.



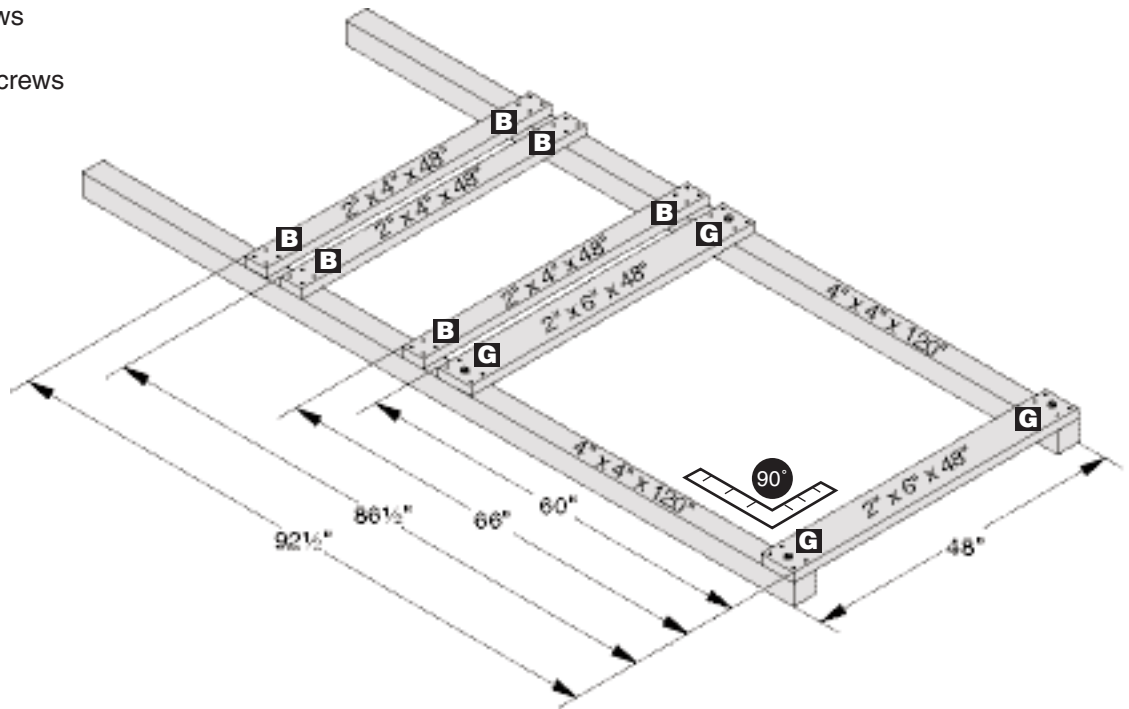
BACK TOWER ASSEMBLY - GOLD

Items for STEP 1:

- (2) 4" x 4" x 120" boards
- (2) 2" x 6" x 48" boards
- (3) 2" x 4" x 48" boards
- (4) 3/8" x 3" lag screws
- (4) 3/8" washers
- (40) #8 x 2 1/2" deck screws

On a flat surface position boards at dimensions shown. Keep assembly square while securing with #8 x 2 1/2" deck screws.

Install 3/8" x 3" lag screws with 3/8" washers at **G**.



SEE PAGES 6 & 7 FOR
HOLE PATTERNS

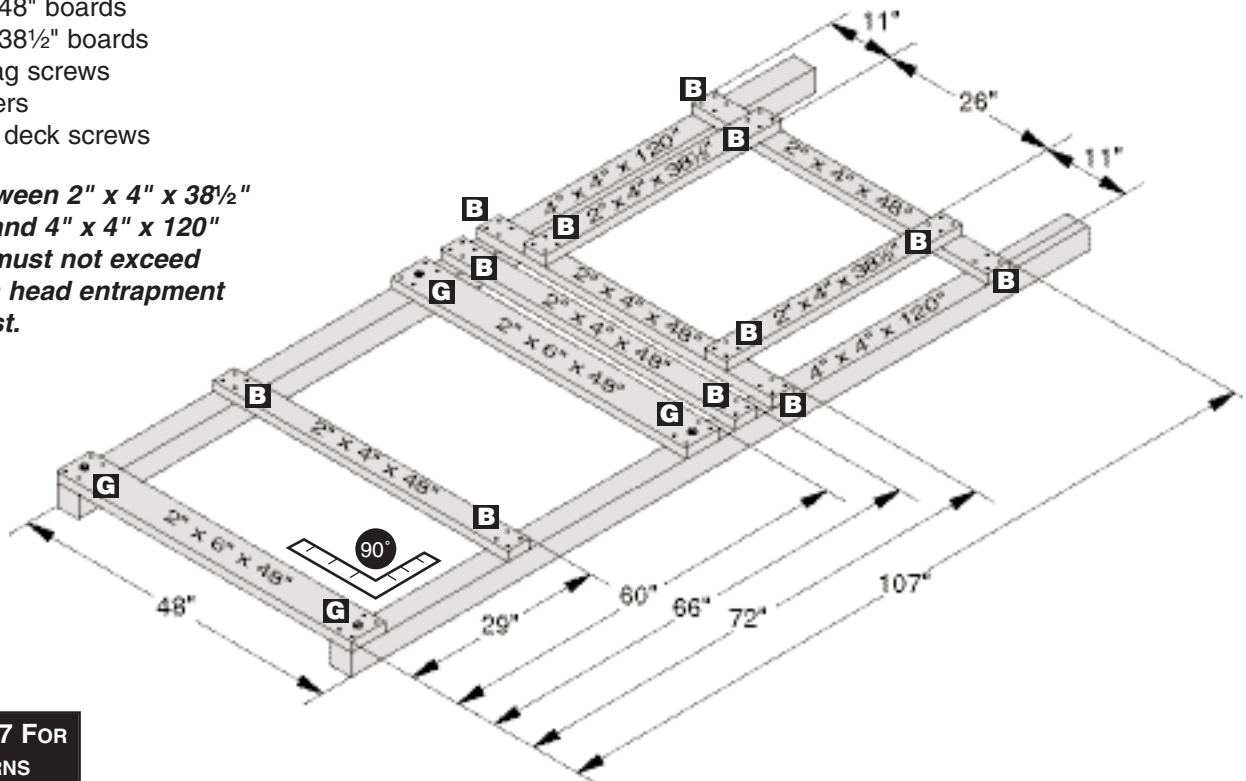
Items for STEP 2:

- (2) 4" x 4" x 120" boards
- (2) 2" x 6" x 48" boards
- (4) 2" x 4" x 48" boards
- (2) 2" x 4" x 38 1/2" boards
- (4) 3/8" x 3" lag screws
- (4) 3/8" washers
- (64) #8 x 2 1/2" deck screws

On a flat surface position boards at dimensions shown. Keep assembly square while securing with #8 x 2 1/2" deck screws.

Install 3/8" x 3" lag screws with 3/8" washers at **G**.

Note: Gap between 2" x 4" x 38 1/2" boards and 4" x 4" x 120" boards must not exceed 3 1/2" or a head entrapment may exist.



SEE PAGES 6 & 7 FOR
HOLE PATTERNS

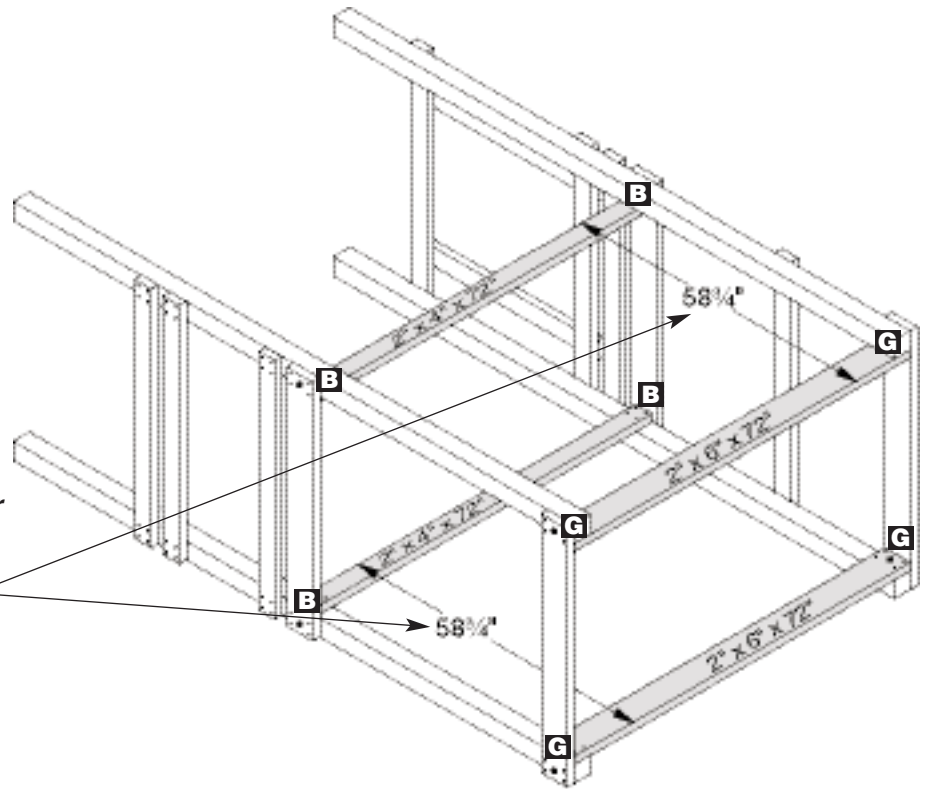
Items for **STEP 3:**

- (2) 2" x 6" x 72" boards
- (2) 2" x 4" x 72" boards
- (4) 3/8" x 3" lag screws
- (4) 3/8" washers
- (32) #8 x 2 1/2" deck screws

Position boards between assemblies as shown. Keep square while securing with #8 x 2 1/2" deck screws.

Install 3/8" x 3" lag screws with 3/8" washers at **G**.

Note: If you are using 2" x 6" lumber for your deck boards in place of 5/4" x 6" lumber, this dimension must be 58 1/2". The reason is 2" x 6" lumber is 1/4" thicker than the 5/4" x 6" lumber called for in this plan.



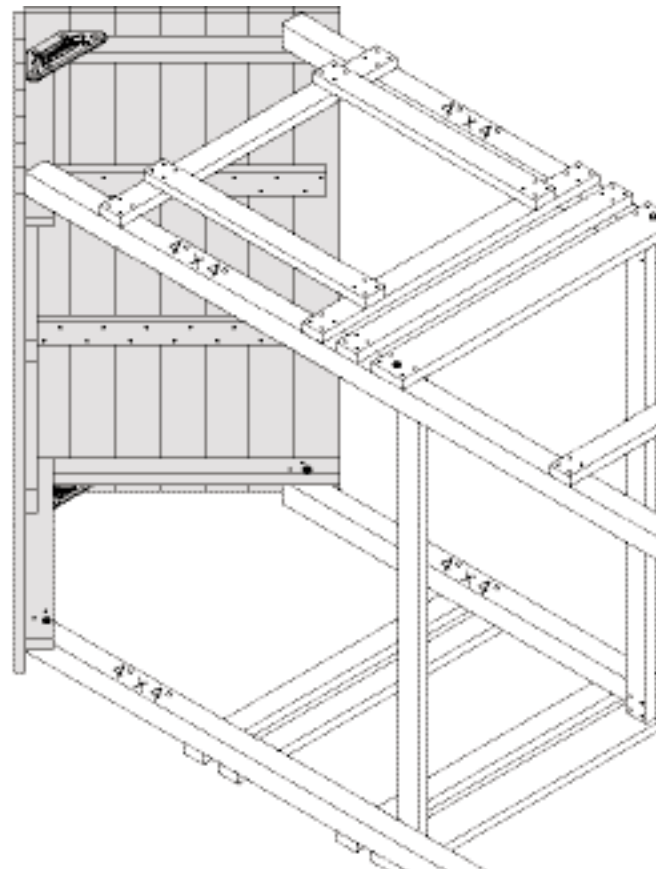
SEE PAGES 6 & 7 FOR HOLE PATTERNS

Items for **STEP 4:**

- (1) Roof Assembly
- (4) 3/8" x 3" lag screws
- (4) 3/8" washers
- (8) #8 x 2 1/2" deck screws

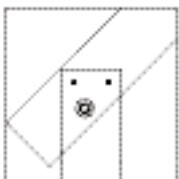
Position roof assembly so both sides of roof overhang 4" x 4" boards equally. Secure each corner with two #8 x 2 1/2" deck screws and one 3/8" x 3" lag screw with 3/8" washer. (See below for detail of screw placement.)

Lift tower assembly upright and position in desired location.



Caution: Ground must be level. Installation on a hill or incline will create unsafe conditions.

Detail of Screw Placement



Predrill –
 1/8" Dia. for #8 x 2 1/2" deck screws
 1/4" Dia. for 3/8" x 3" lag screws

Items for **STEP 5:**

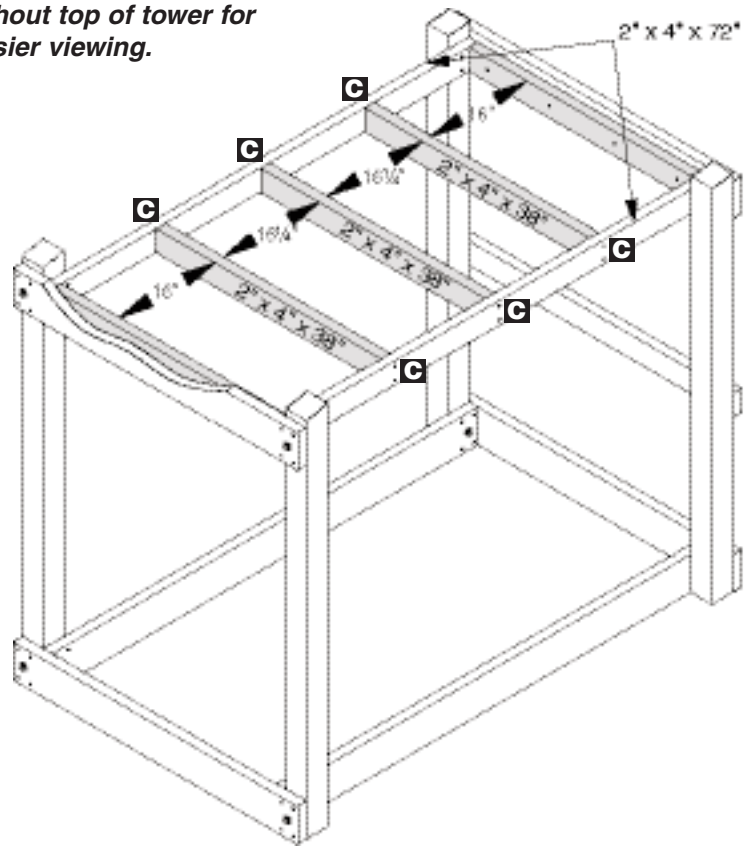
- (5) 2" x 4" x 38" boards
- (20) #8 x 2½" deck screws

Position boards flush with the top of the 2" x 4" x 72" boards.

Secure the two outside boards with four #8 x 2½" deck screws evenly spaced.

Secure center boards with #8 x 2½" deck screws.

Shown without top of tower for easier viewing.



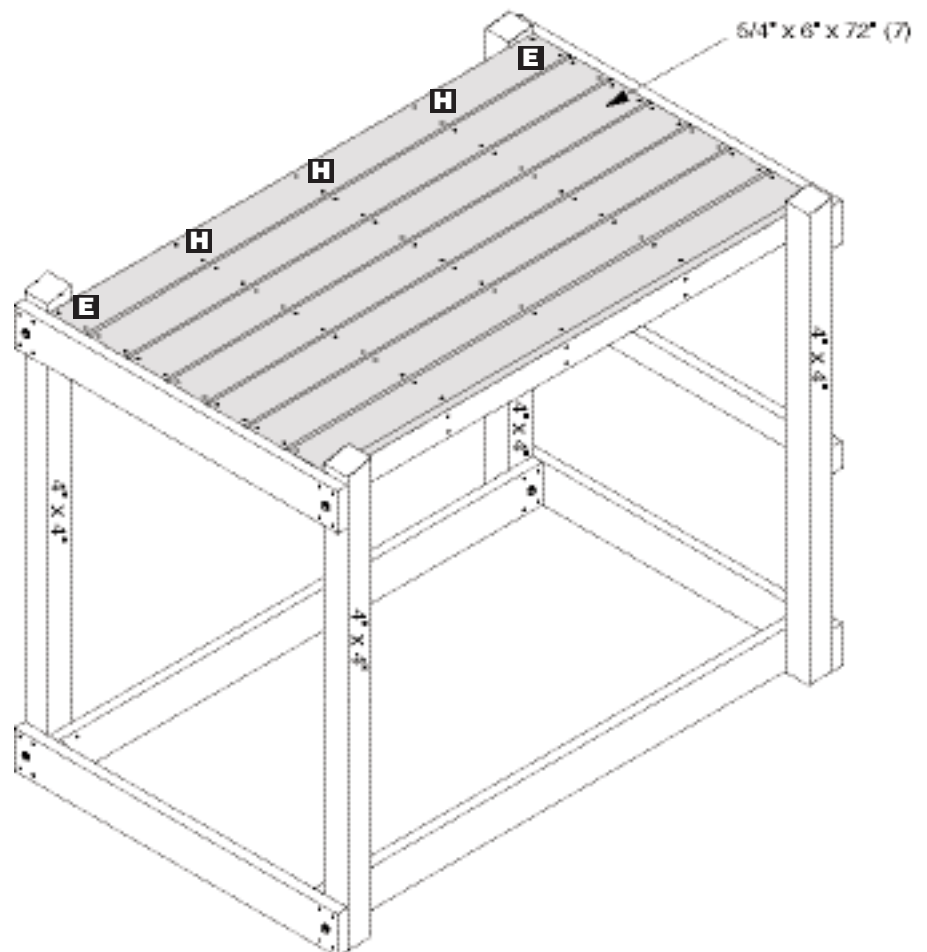
SEE PAGE 6 FOR HOLE PATTERNS

Items for **STEP 6:**

- (7) 5/4" x 6" x 72" boards
- (70) #8 x 2½" deck screws

Position outside boards tight against the 4" x 4" boards and equally space remaining boards as shown. Secure with #8 x 2½" deck screws.

Caution: *Gap between boards must be smaller than ¼" or larger than ½" or a finger entrapment could exist.*

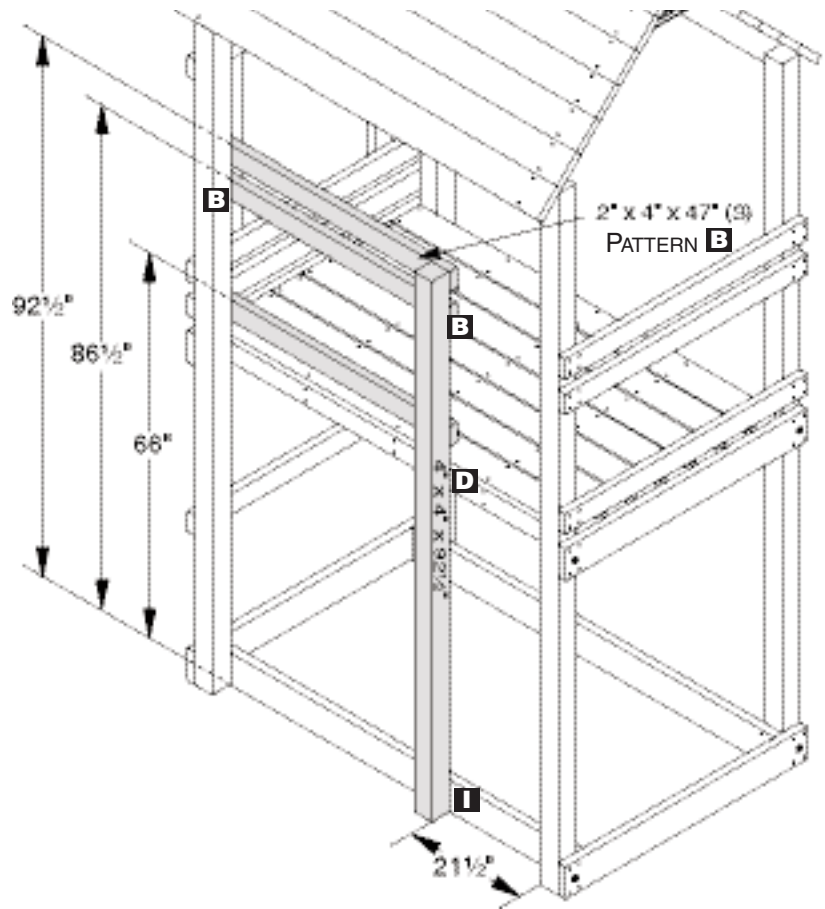


SEE PAGE 7 FOR HOLE PATTERNS

Items for STEP 7:

- (1) 4" x 4" x 92½" board
- (3) 2" x 4" x 47" boards
- (32) #8 x 2½" deck screws

Position boards at dimensions shown. Secure with #8 x 2½" deck screws.

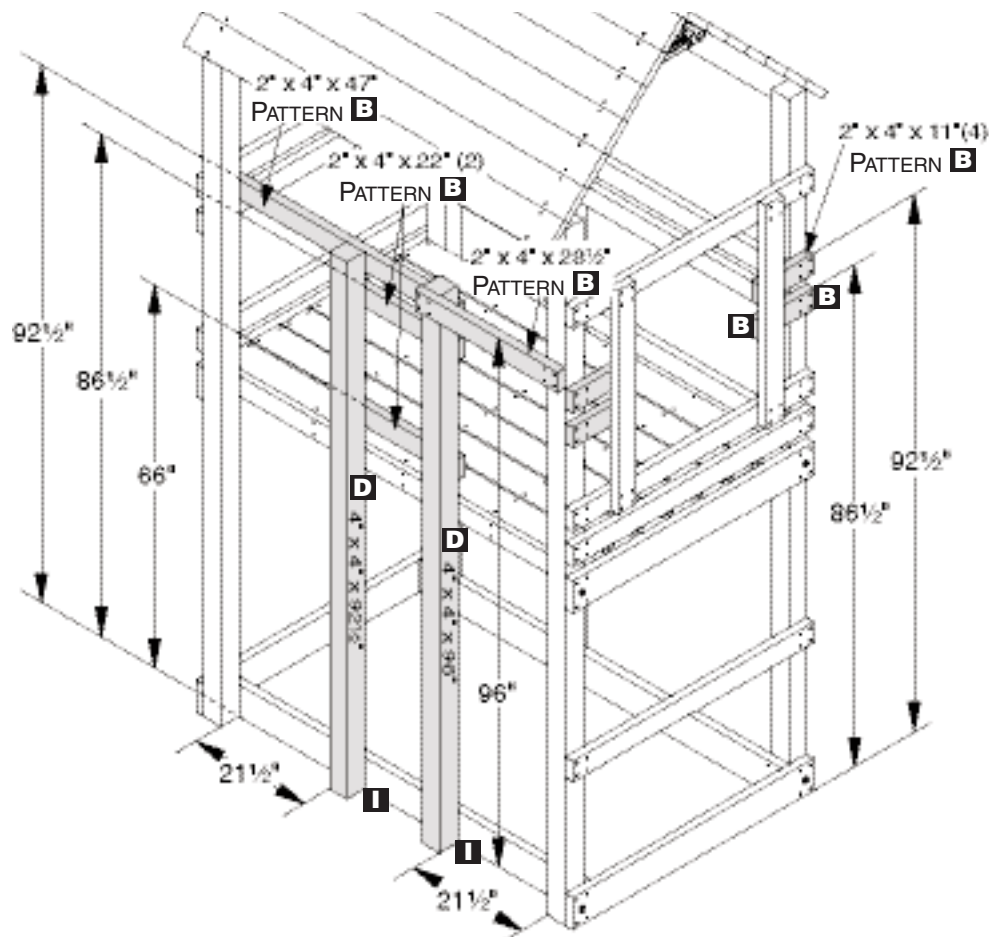


SEE PAGES 6 & 7 FOR HOLE PATTERNS

Items for STEP 8:

- (1) 4" x 4" x 96" board
- (1) 4" x 4" x 92½" board
- (2) 2" x 4" x 22" boards
- (1) 2" x 4" x 47" board
- (1) 2" x 4" x 28½" board
- (4) 2" x 4" x 11" boards
- (84) #8 x 2½" deck screws

Position boards at dimensions shown. Secure with #8 x 2½" deck screws.

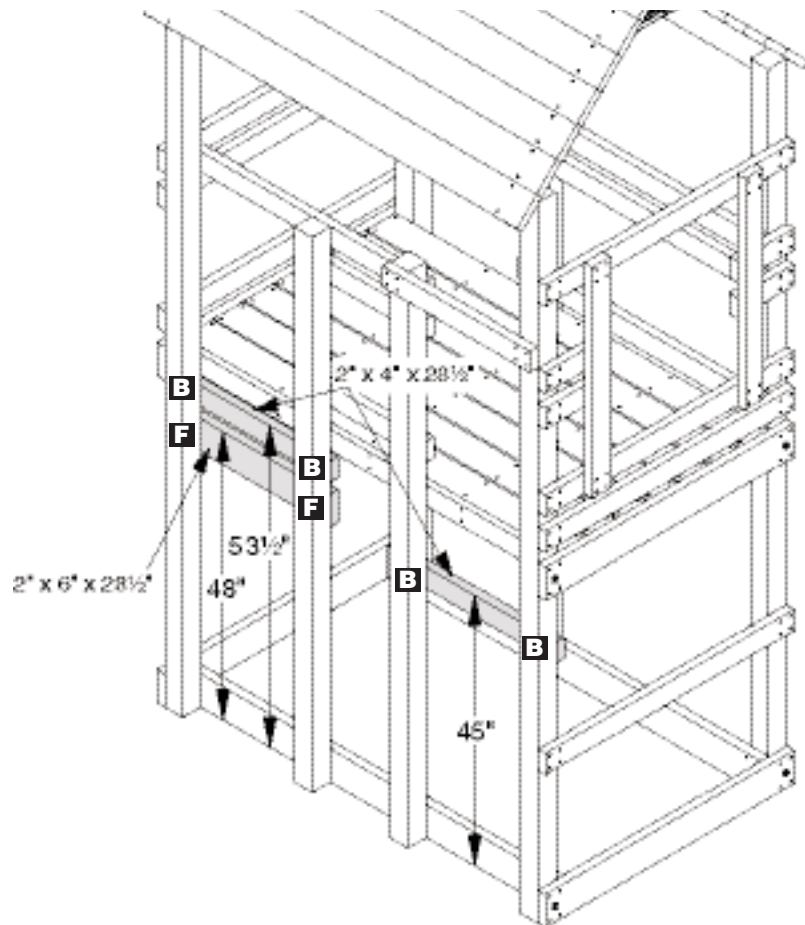


SEE PAGES 6 & 7 FOR HOLE PATTERNS

Items for STEP 9:

- (1) 2" x 6" x 28½" board
- (2) 2" x 4" x 28½" boards
- (24) #8 x 2½" deck screws

Position boards at dimensions shown. Secure with #8 x 2½" deck screws.

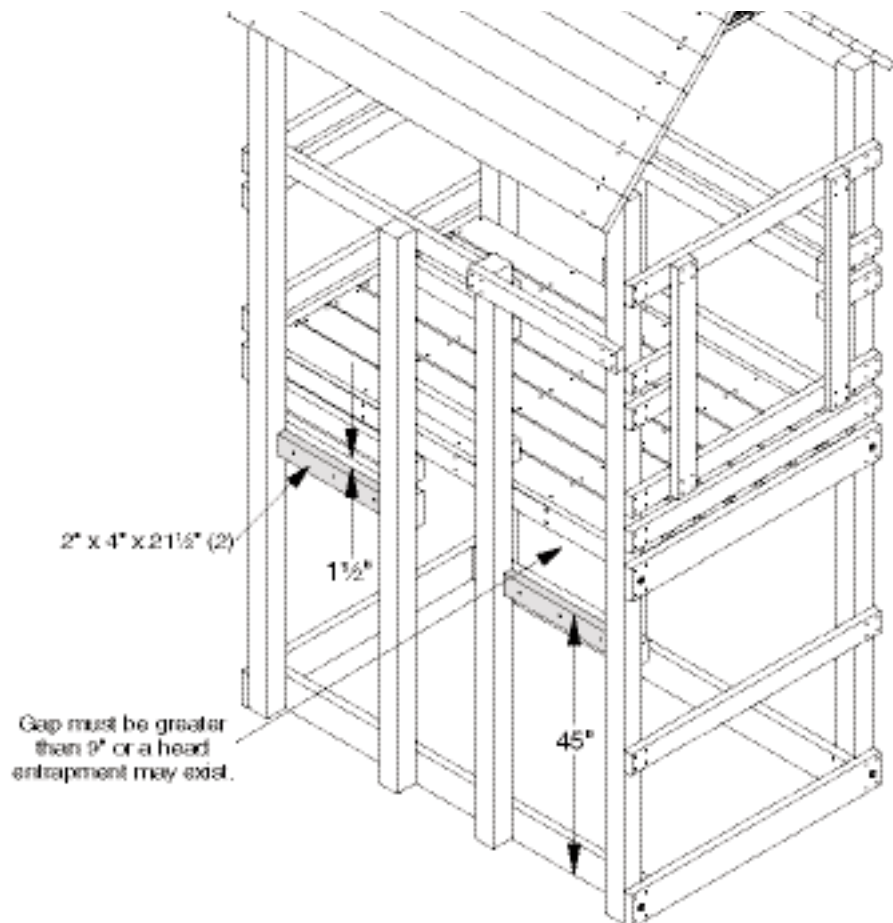


**SEE PAGES 6 & 7 FOR
HOLE PATTERNS**

Items for STEP 10:

- (2) 2" x 4" x 21½" boards
- (6) #8 x 2½" deck screws

Position boards at dimensions shown. Secure each with three #8 x 2½" deck screws equally spaced.



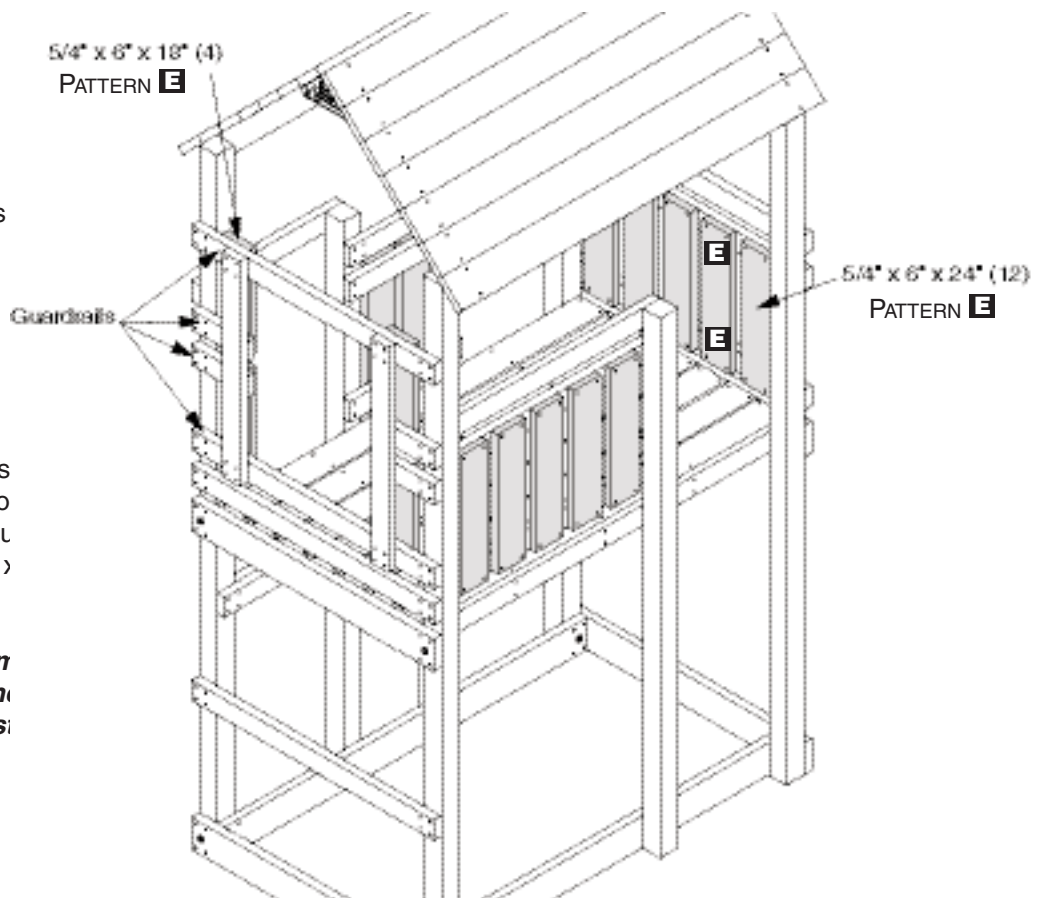
Items for **STEP 11:**

- (12) 5/4" x 6" x 24" boards
- (4) 5/4" x 6" x 18" boards
- (64) #8 x 2½" deck screws

Position five 5/4" x 6" x 24" boards on the inside and seven on the outside of the tower flush with the top and bottom of guardrail boards and equally spaced as shown. Secure with #8 x 2½" deck screws.

Position four 5/4" x 6" x 18" boards the inside of tower flush with the to bottom of guardrail boards and equ spaced as shown. Secure with #8 x 2½" deck screws.

Caution: *Gap between boards n not exceed 3½" or a h entrapment could exist*



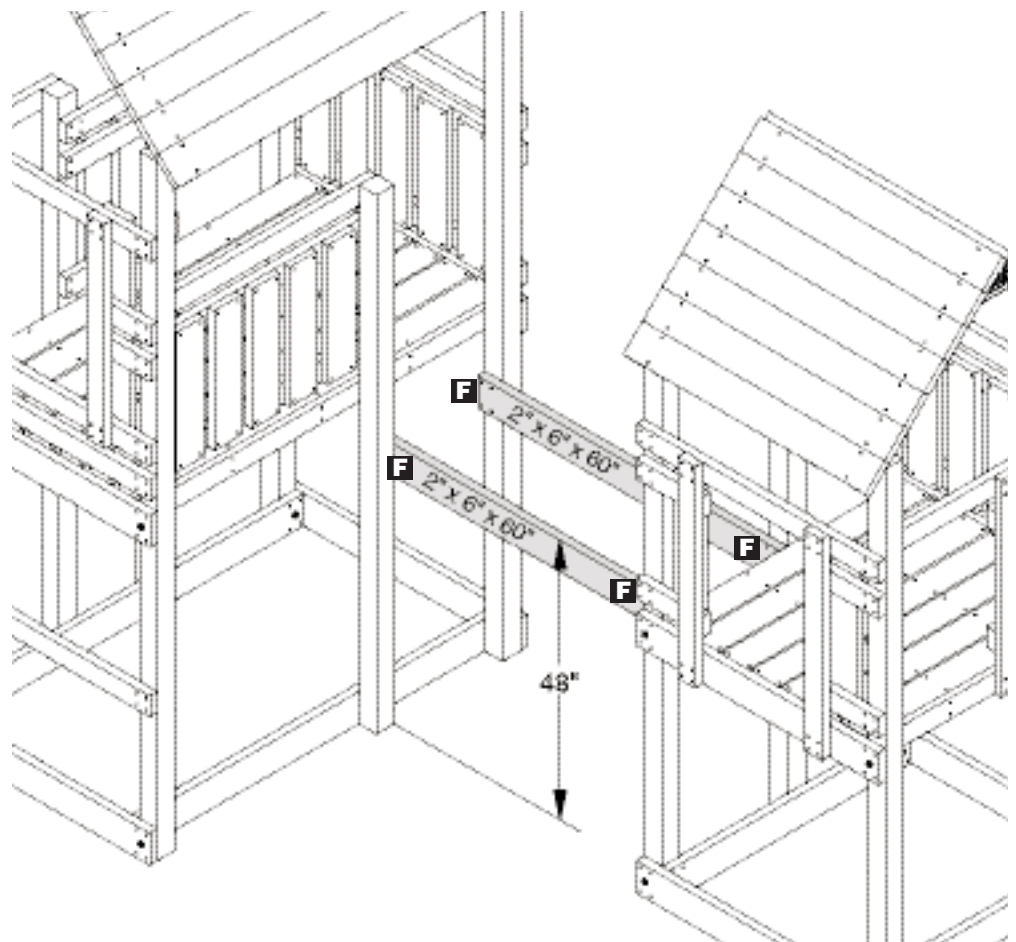
**SEE PAGE 7 FOR
HOLE PATTERNS**

Items for **STEP 12:**

- (2) 2" x 6" x 60" boards
- (16) #8 x 2½" deck screws

Position towers in final location as shown.

Position boards at dimension shown. Secure with #8 x 2½" deck screws.



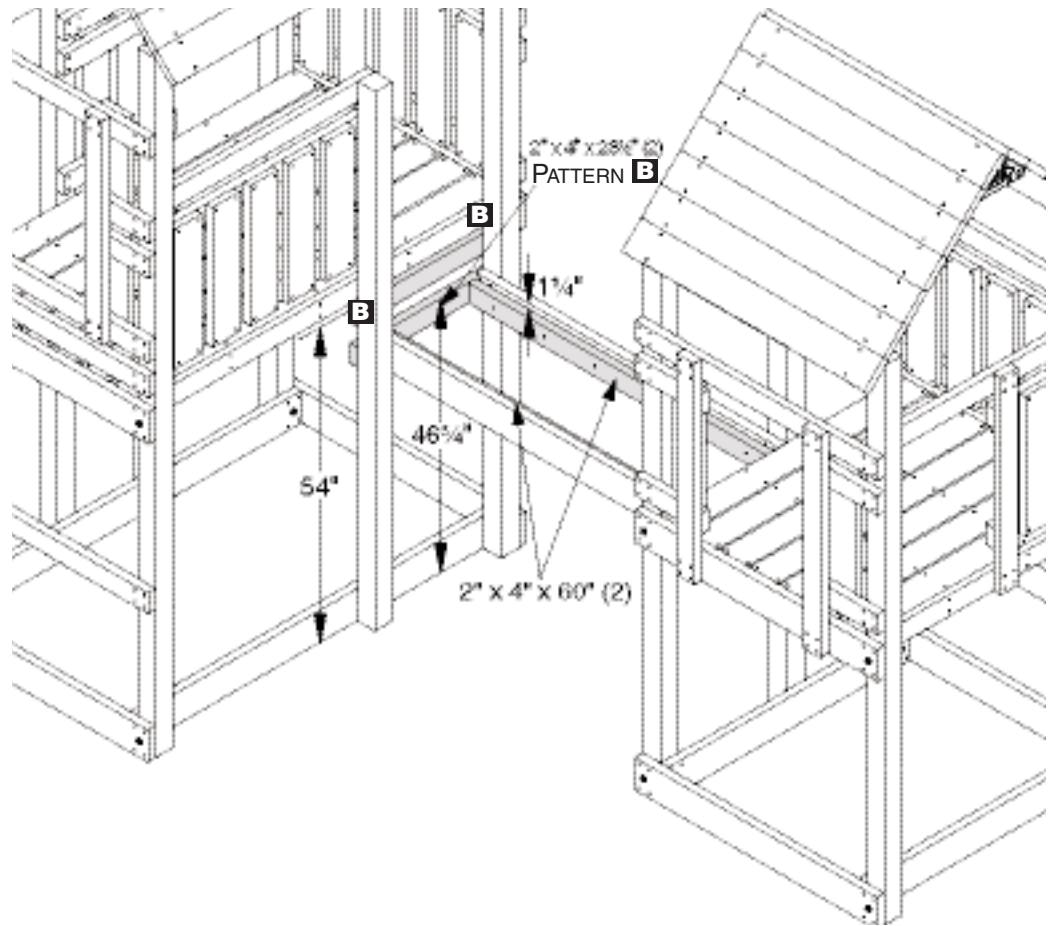
**SEE PAGE 7 FOR
HOLE PATTERNS**

Items for STEP 13:

- (2) 2" x 4" x 60" boards
- (2) 2" x 4" x 28½" boards
- (28) #8 x 2½" deck screws

Position 2" x 4" x 28½" boards at dimensions shown. Secure with #8 x 2½" deck screws.

Position 2" x 4" x 60" boards at dimension shown. Secure each board with six #8 x 2½" deck screws equally spaced.

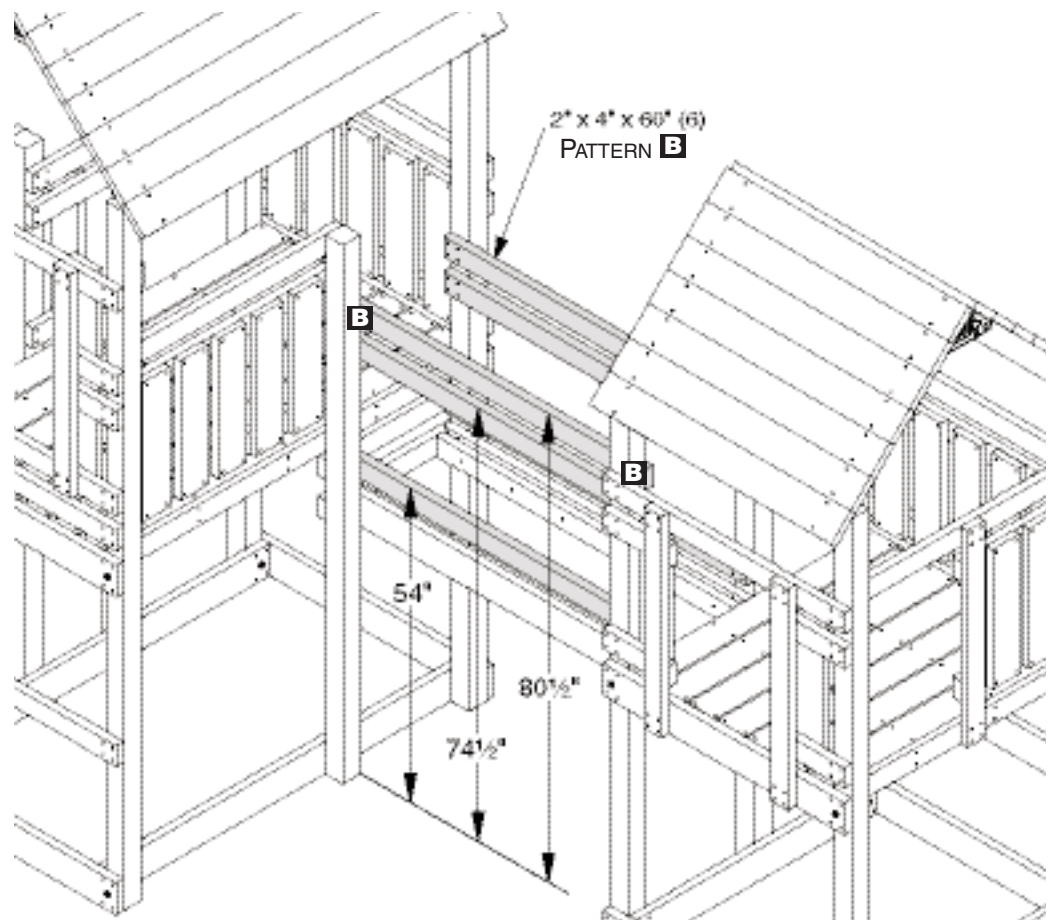


**SEE PAGE 6 FOR
HOLE PATTERNS**

Items for STEP 14:

- (6) 2" x 4" x 60" boards
- (48) #8 x 2½" deck screws

Position boards at dimensions shown. Secure with #8 x 2½" deck screws.



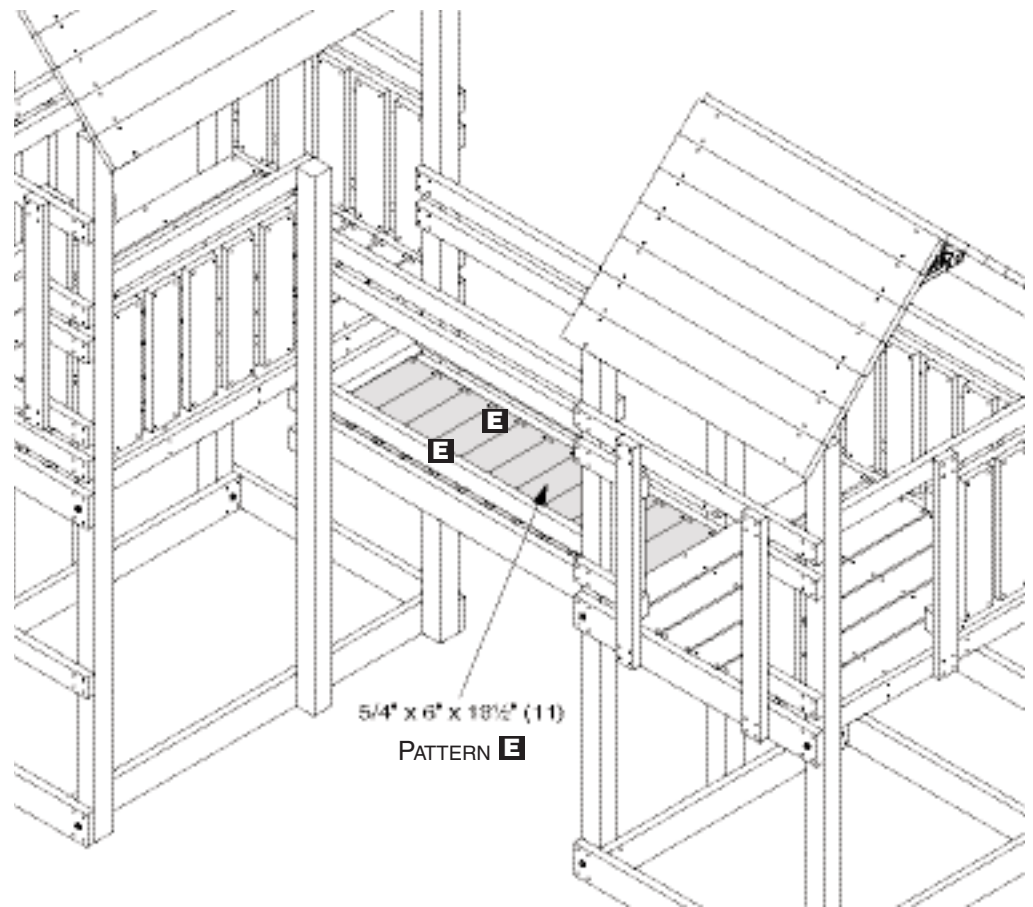
**SEE PAGE 6 FOR
HOLE PATTERNS**

Items for **STEP 15:**

- (11) 5/4" x 6" x 18½" boards
- (44) #8 x 2½" deck screws

Position boards equally spaced as shown. Secure with #8 x 2½" deck screws.

Caution: *Gap between boards must be smaller than ¼" or larger than ½" or a finger entrapment could exist.*



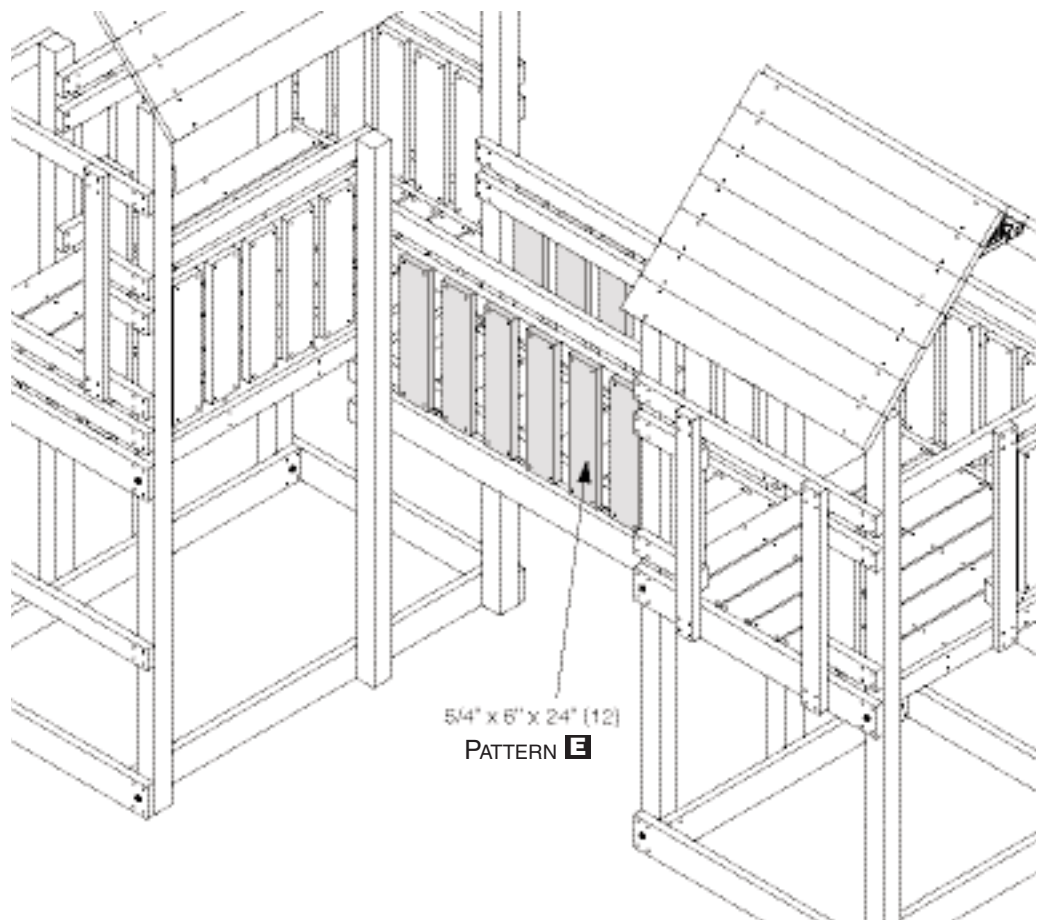
**SEE PAGE 7 FOR
HOLE PATTERNS**

Items for **STEP 16:**

- (12) 5/4" x 6" x 24" boards
- (48) #8 x 2½" deck screws

Position boards on the outside of bridge flush with the top and bottom of guardrail boards and equally space as shown. Secure with #8 x 2½" deck screws.

Caution: *Gap between boards must not exceed 3½" or a head entrapment could exist.*



**SEE PAGE 7 FOR
HOLE PATTERNS**

Monkey Ring Assembly - Gold

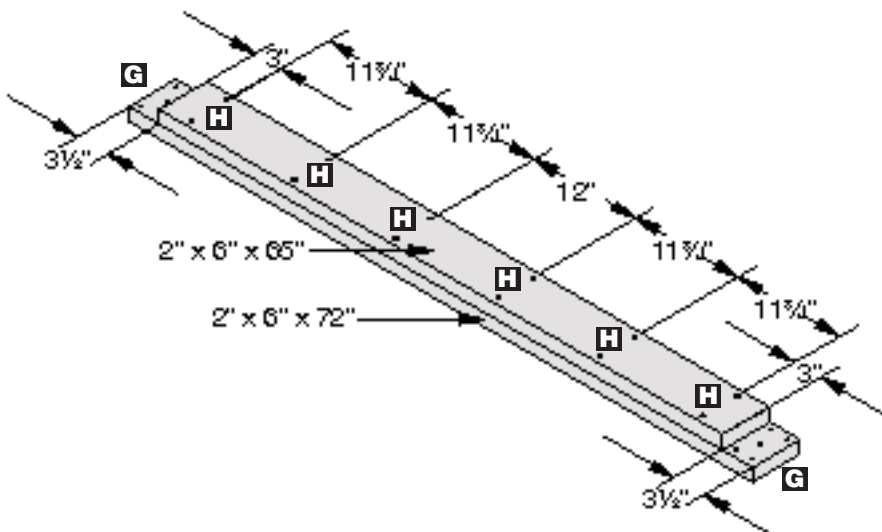
Items for STEP 1: Beam Assemblies

- (2) 2" x 6" x 72" boards
- (2) 2" x 6" x 65" board
- (24) #8 x 2½" deck screws

Drill Pattern **G** on each end of 2" x 6" x 72" board as shown.

Position 2" x 6" x 65" board centered on top of 2" x 6" x 72" board as shown. Secure with #8 x 2½" deck screws.

Repeat for second assembly.



SEE PAGE 7 FOR HOLE PATTERNS



If you purchased the optional Climbing Bar Kit (PS 7766), skip Step 2 and continue with Step 3.

If you are not installing the Climbing Bar Kit, proceed with these instructions.

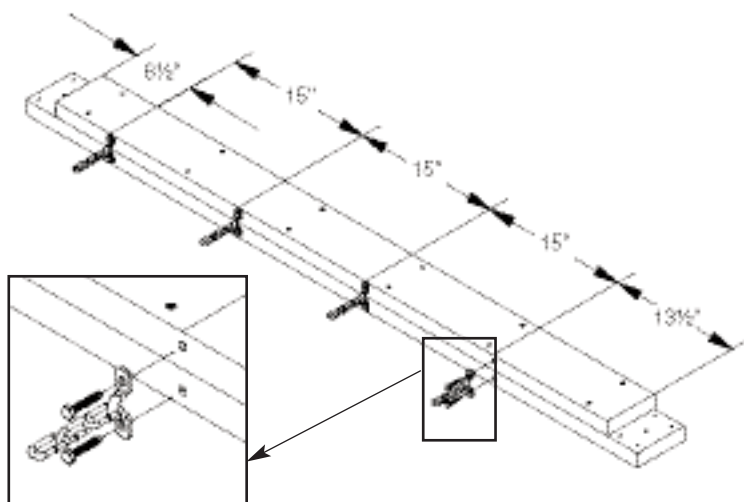
Items for STEP 2:

- (8) U-straps
- (8) 3 link chain
- (16) ¼" x 1½" lag screws

Using a U-strap as a drill guide. Drill two ⅛" holes 1" deep at dimensions shown. Install chains to U-straps. Secure with ¼" x 1½" lag screws.

Repeat for second assembly.

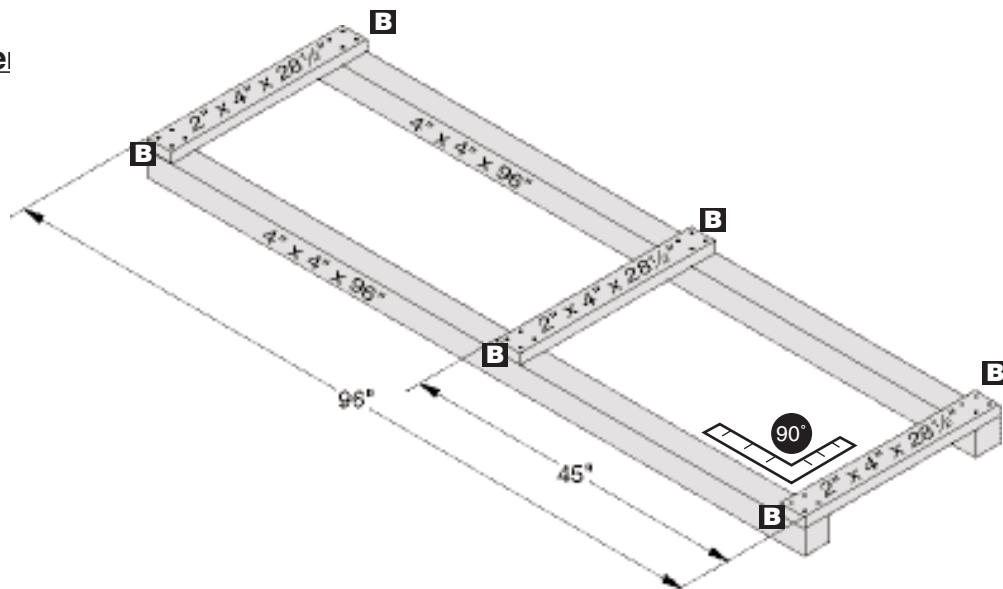
Note: Do not connect the monkey rings until the playset has been properly installed and is ready for use.



Items for STEP 3: Base Assembly

- (2) 4" x 4" x 96" boards
- (3) 2" x 4" x 28½" boards
- (24) #8 x 2½" deck screws

On a flat surface position boards at dimensions shown. Keep assembly square while securing with #8 x 2½" deck screws.

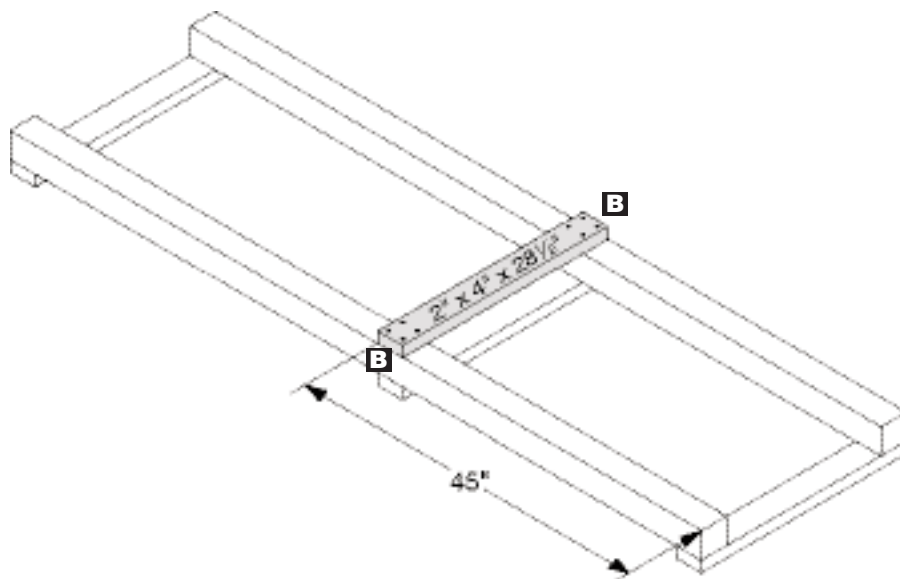


SEE PAGE 6 FOR HOLE PATTERNS

Items for STEP 4:

- (1) 2" x 4" x 28½" board
- (8) #8 x 2½" deck screws

Flip assembly over and position board at dimension shown. Secure with #8 x 2½" deck screws.



SEE PAGE 6 FOR HOLE PATTERNS

Items for STEP 5:

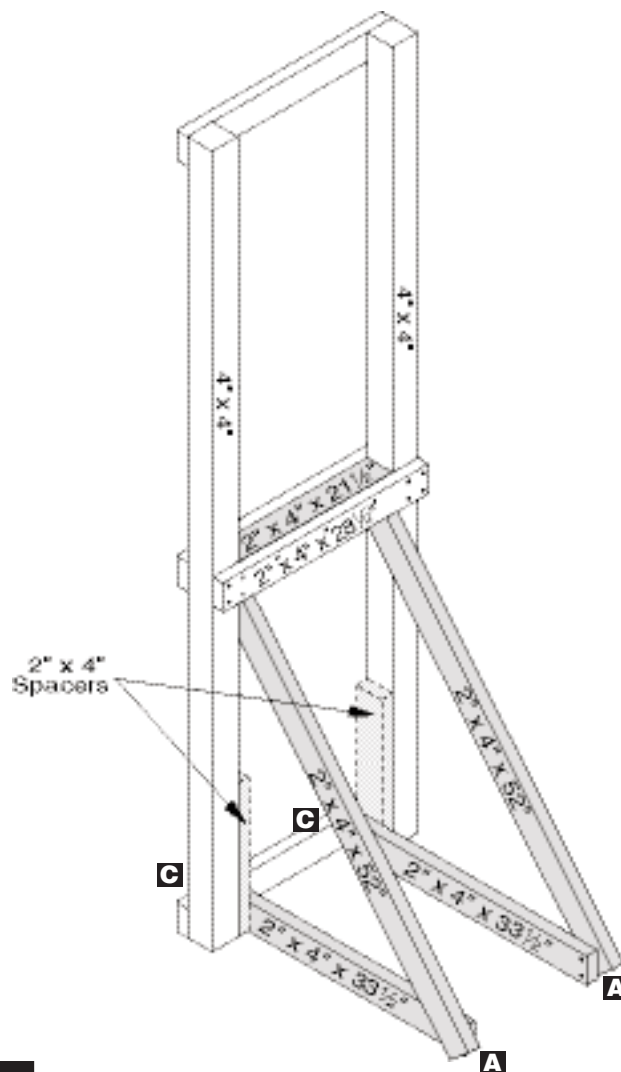
- (2) 2" x 4" x 52" boards
- (2) 2" x 4" x 33½" boards
- (1) 2" x 4" x 21½" board
- (2) ⅜" x 3" lag screws
- (2) ⅜" washers
- (18) #8 x 2½" deck screws

Position two 2" x 4" x 33½" boards (use scrap 2" x 4" board as a temporary spacer for proper alignment) as shown. Secure with #8 x 2½" deck screws. PATTERN C Remove temporary spacers.

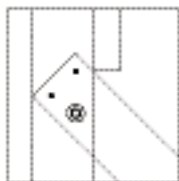
Position two 2" x 4" x 52" boards so the corner is flush with the rear edge of the 4" x 4" boards and the bottom of 2" x 4" x 28½" board as shown. Secure top of each board with two #8 x 2½" deck screws and one ⅜" x 3" lag screw with ⅜" washer. (See below for detail of screw placement.) Secure bottom of each board with #8 x 2½" deck screws.

PATTERN A

Install one 2" x 4" x 21½" board flush with top as shown. Secure with three #8 x 2½" deck screws equally spaced each side.



Detail of Screw Placement



*Predrill –
 ⅛" Dia. for #8 x 2½" deck screws
 ¼" Dia. for ⅜" x 3" lag screws*

SEE PAGE 6 FOR HOLE PATTERNS

Items for **STEP 6:**

- (9) 5/4" x 6" x 21½" boards
- (36) #8 x 2½" deck screws

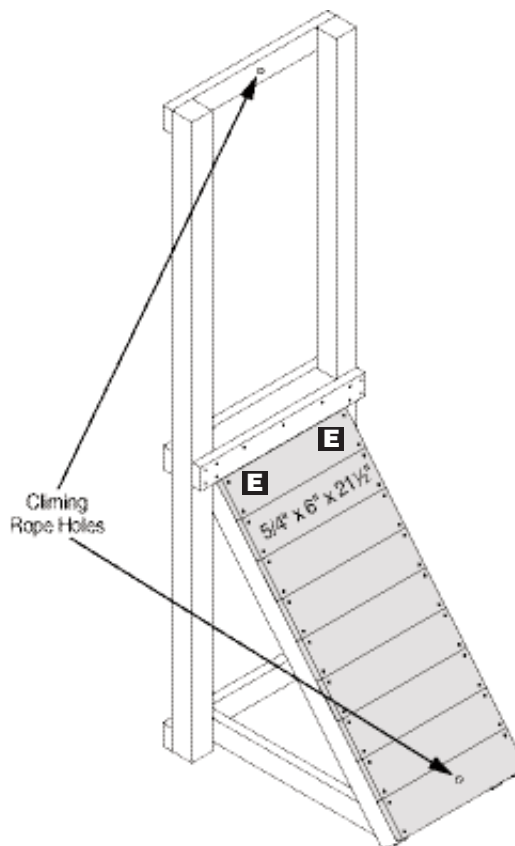
Position first 5/4" x 6" x 21½" board tight at the top as shown. Secure with #8 x 2½" deck screws.

Position next 5/4" x 6" x 21½" board tight against first board. Secure with #8 x 2½" deck screws.

Repeat for remaining boards.

Hole placement for Climbing Rope:

Drill a ¾" hole in center of boards shown. Install rope per instructions on Page 76.

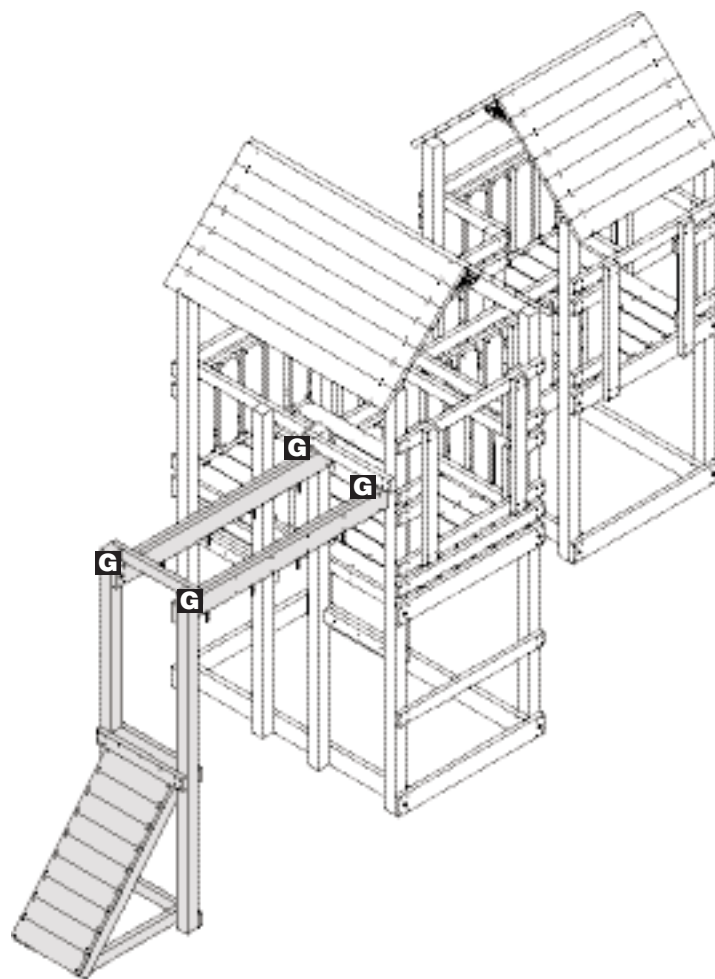


**SEE PAGE 7 FOR
HOLE PATTERNS**

Items for **STEP 7:**

- (1) Monkey Ring Base Assembly
- (2) Monkey Ring Beam Assemblies
- (4) ⅜" x 3" lag screws
- (4) ⅜" flat washers
- (16) #8 x 2½" deck screws

Position base assembly approximately six feet from tower opening. Position beam assemblies as shown. Secure with #8 x 2½" deck screws, ⅜" x 3" lag screws and ⅜" flat washers.



**SEE PAGE 7 FOR
HOLE PATTERNS**

**TURN TO PAGE 44 FOR
10' SWING STATION ASSEMBLY**

CUTTING GUIDE - SILVER

Before starting to build your Playset, make sure all boards are cut and identified by size. Stack identical size boards in neat piles.

(If you do not want to mark on lumber, use masking tape or chalk.)

This will improve your building time greatly because you will already know the size of each board as the instructions call for them.

4" x 4" x 10' – four (4) boards required

(4) boards

| | |
|--|------|
| | 120" |
|--|------|

4" x 4" x 8' – nine (9) boards required

(9) boards

| | |
|--|-----|
| | 96" |
|--|-----|

2" x 6" x 10' – seven (7) boards required

(2) boards

| | |
|--|------|
| | 120" |
|--|------|

(2) boards

| | | | |
|--|-----|--|-----|
| | 72" | | 48" |
|--|-----|--|-----|

(1) board

| | | | | |
|--|------|--|-----|--|
| | 65¼" | | 48" | |
|--|------|--|-----|--|

(2) boards

| | | | | |
|--|-----|--|-----|--|
| | 65" | | 48" | |
|--|-----|--|-----|--|

2" x 6" x 8' – six (6) boards required

(3) boards

| | | | |
|--|-----|--|-----|
| | 48" | | 48" |
|--|-----|--|-----|

(1) board

| | | |
|--|------|--|
| | 82¼" | |
|--|------|--|

(1) board

| | | |
|--|------|--|
| | 72½" | |
|--|------|--|

(1) board

| | | | | |
|--|-----|--|-----|--|
| | 41" | | 41" | |
|--|-----|--|-----|--|

 (Picnic Table)

2" x 4" x 10' – five (5) boards required

| | | | | |
|------------|--------------|------|------|------|
| (2) boards | 41" | 38½" | 38½" | |
| | Picnic Table | | | |
| (1) board | 37" | 37" | 23" | 23" |
| (1) board | 38" | 38" | 38" | |
| (1) board | 13¼" | 13¼" | 13¼" | 13¼" |
| | 13¼" | 13¼" | 13¼" | 13¼" |

2" x 4" x 8' – seventeen (17) boards required

| | | | |
|------------|------|------|------|
| (7) boards | 48" | 48" | |
| (1) board | 48" | 23" | 23" |
| (4) boards | 38" | 35" | 23" |
| (1) board | 60" | 35½" | |
| (2) boards | 38" | 38" | 19¾" |
| (1) board | 37¼" | 35½" | 21½" |
| (1) board | 38" | 28½" | 28½" |

5/4" x 6" x 8' – thirty-one (31) boards required

| | | | |
|-------------|-----|-----|-----|
| (21) boards | 48" | 48" | |
| (10) boards | 48" | 24" | 24" |

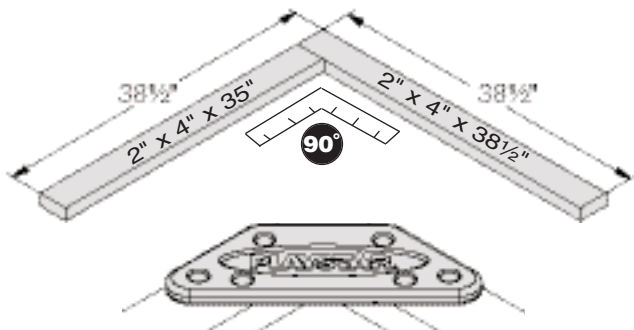
Front Tower Roof Assembly - SILVER

Items for STEP 1:

- (2) 2" x 4" x 38½" boards
- (2) 2" x 4" x 35" boards
- (2) Roof Caps
- (12) #14 x 1¼" pan head screws

On a flat surface position boards together as shown. Keep boards square while attaching roof cap to boards with #14 x 1¼" pan head screws.

Repeat for second assembly.



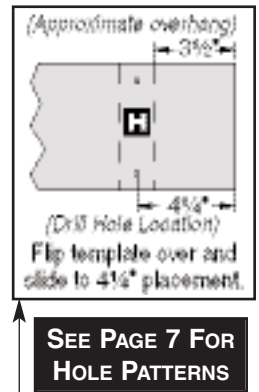
Items for STEP 2:

- (2) Step 1 Assemblies
- (4) 5/4" x 6" x 48" boards
- (16) #8 x 2½" deck screws

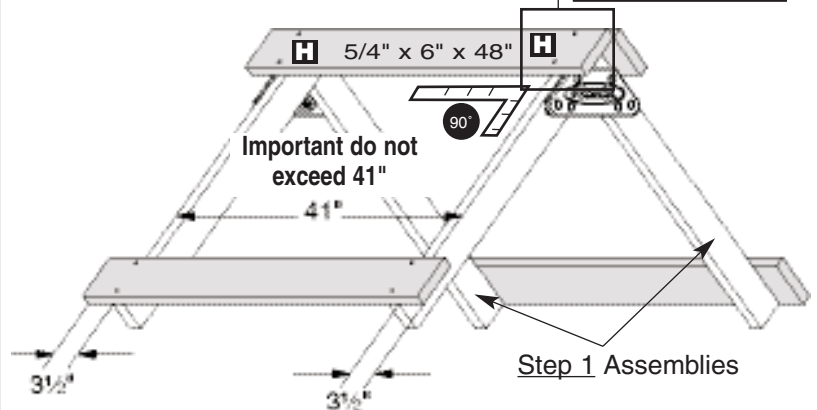
Hold assemblies 41" apart. Position boards flush at the top and bottom as shown.

Keep boards square and secure with #8 x 2½" deck screws.

Repeat for other side.



SEE PAGE 7 FOR HOLE PATTERNS



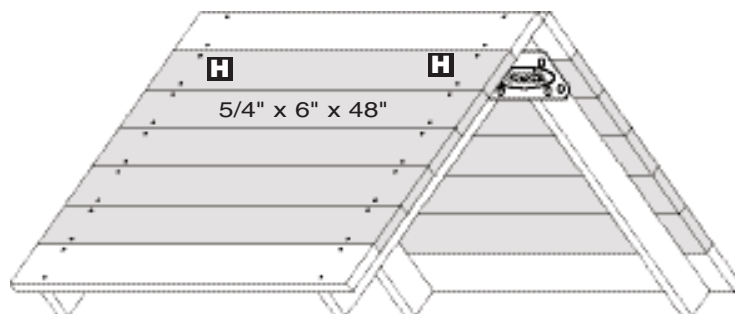
Items for STEP 3:

- (10) 5/4" x 6" x 48" boards
- (40) #8 x 2½" deck screws

Start at the top and attach boards between top and bottom boards as shown. Secure with #8 x 2½" deck screws.

Note: If the last board doesn't fit because the boards are oversized, remove the bottom board and reattach.

Repeat for other side.

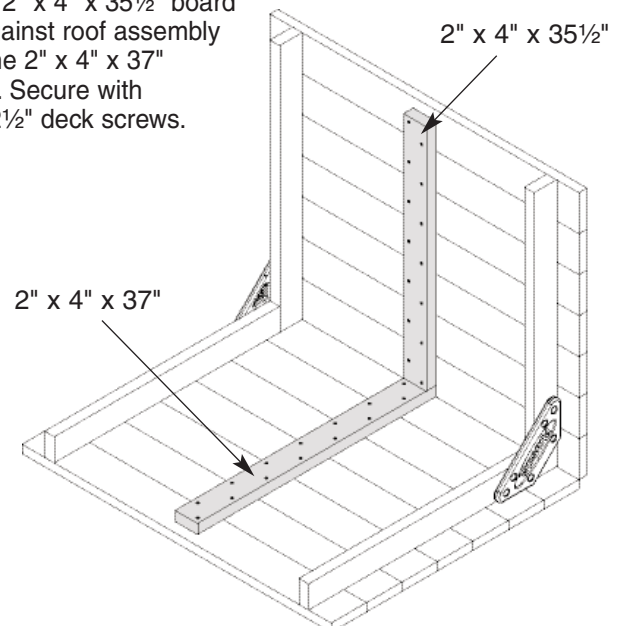


Items for STEP 4:

- (1) 2" x 4" x 37" board
- (1) 2" x 4" x 35½" board
- (28) #8 x 2½" deck screws

From the underside of roof assembly, place 2" x 4" x 37" board flat against roof assembly centered as shown. Secure with two #8 x 2½" deck screws per each roof board.

Place 2" x 4" x 35½" board flat against roof assembly and the 2" x 4" x 37" board. Secure with #8 x 2½" deck screws.



SEE PAGE 7 FOR HOLE PATTERNS

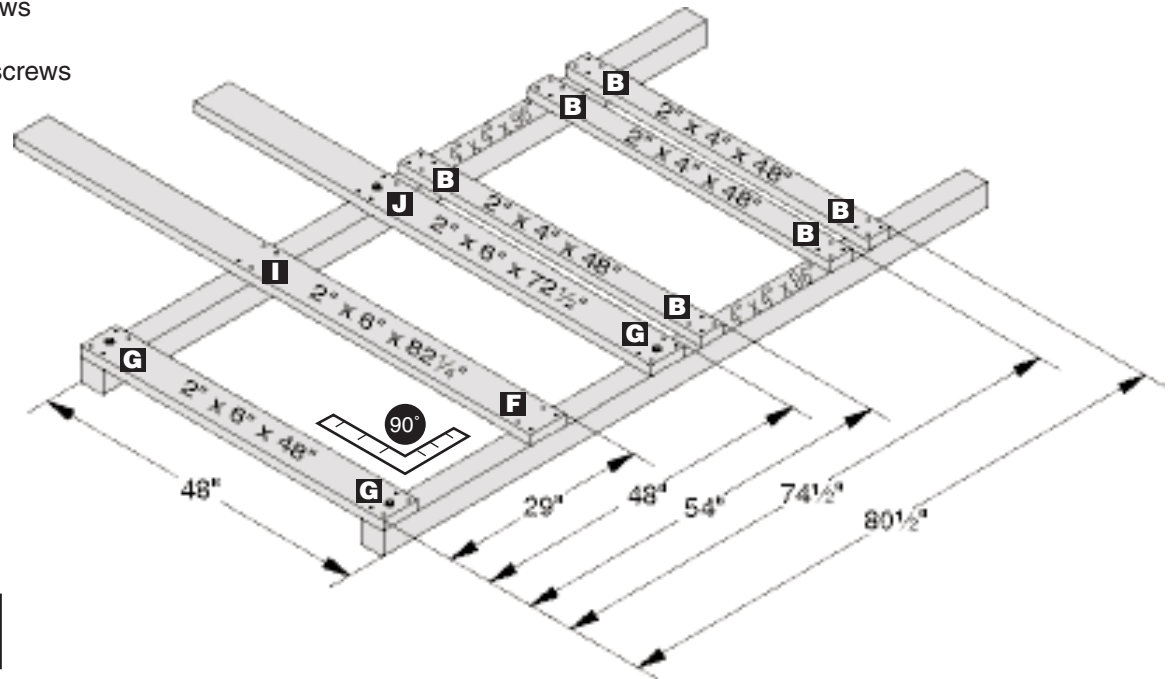
FRONT TOWER ASSEMBLY - SILVER

Items for STEP 1:

- (2) 4" x 4" x 96" boards
- (1) 2" x 6" x 82½" board
- (1) 2" x 6" x 72½" board
- (1) 2" x 6" x 48" board
- (3) 2" x 4" x 48" boards
- (4) ⅜" x 3" lag screws
- (4) ⅜" washers
- (48) #8 x 2½" deck screws

On a flat surface position boards at dimensions shown. Keep assembly square while securing with #8 x 2½" deck screws.

Install ⅜" x 3" lag screws with ⅜" washers at **G** and **J**.



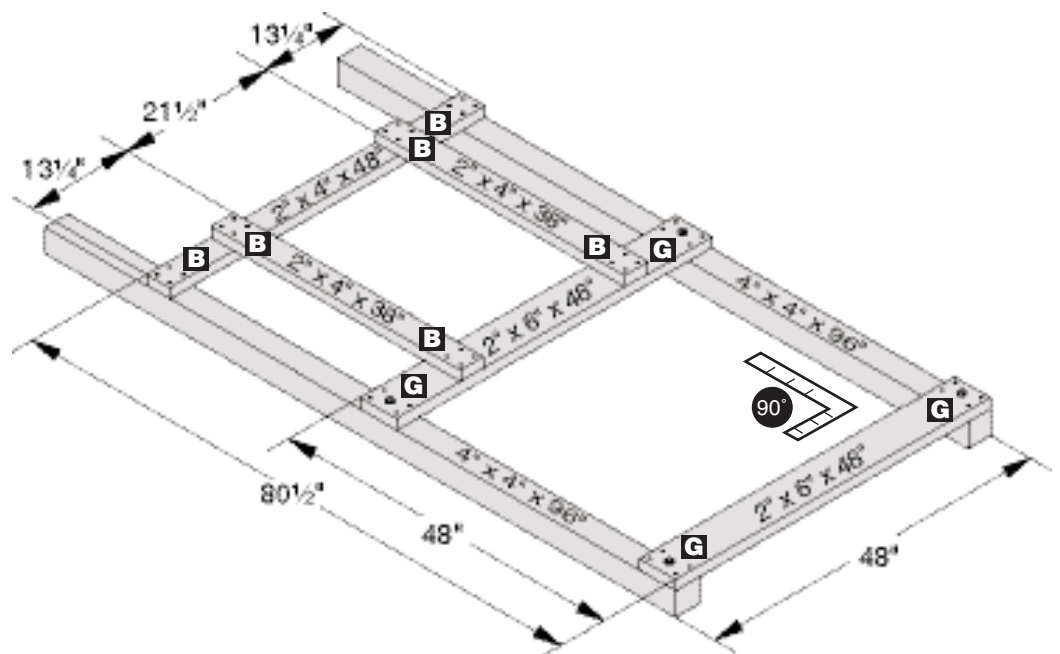
SEE PAGES 6 & 7 FOR
HOLE PATTERNS

Items for STEP 2:

- (2) 4" x 4" x 96" boards
- (2) 2" x 6" x 48" boards
- (1) 2" x 4" x 48" board
- (2) 2" x 4" x 38" boards
- (4) ⅜" x 3" lag screws
- (4) ⅜" washers
- (40) #8 x 2½" deck screws

On a flat surface position boards at dimensions shown. Keep assembly square while securing with #8 x 2½" deck screws.

Install ⅜" x 3" lag screws with ⅜" washers at **G**.



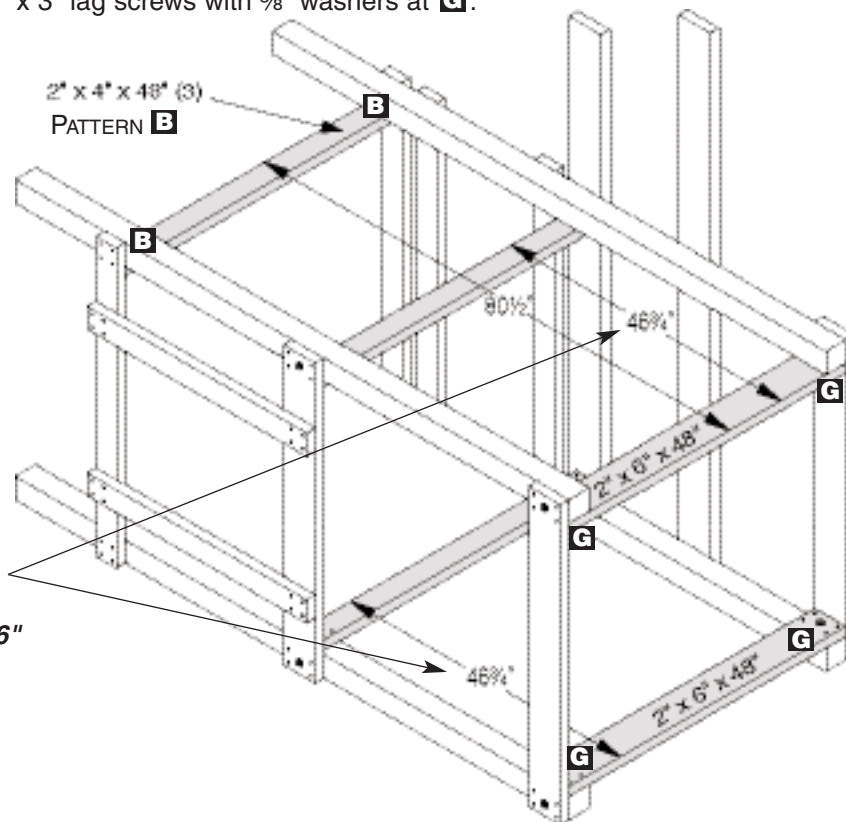
SEE PAGES 6 & 7 FOR
HOLE PATTERNS

Items for STEP 3:

- (2) 2" x 6" x 48" boards
- (3) 2" x 4" x 48" boards
- (4) 3/8" x 3" lag screws
- (4) 3/8" washers
- (40) #8 x 2 1/2" deck screws

Position boards between assemblies as shown. Keep square while securing with #8 x 2 1/2" deck screws.

Install 3/8" x 3" lag screws with 3/8" washers at **G**.



Note: If you are using 2" x 6" lumber for your deck boards in place of 5/4" x 6" lumber, this dimension must be 46 1/2". The reason is 2" x 6" lumber is 1/4" thicker than the 5/4" x 6" lumber called for in this plan.

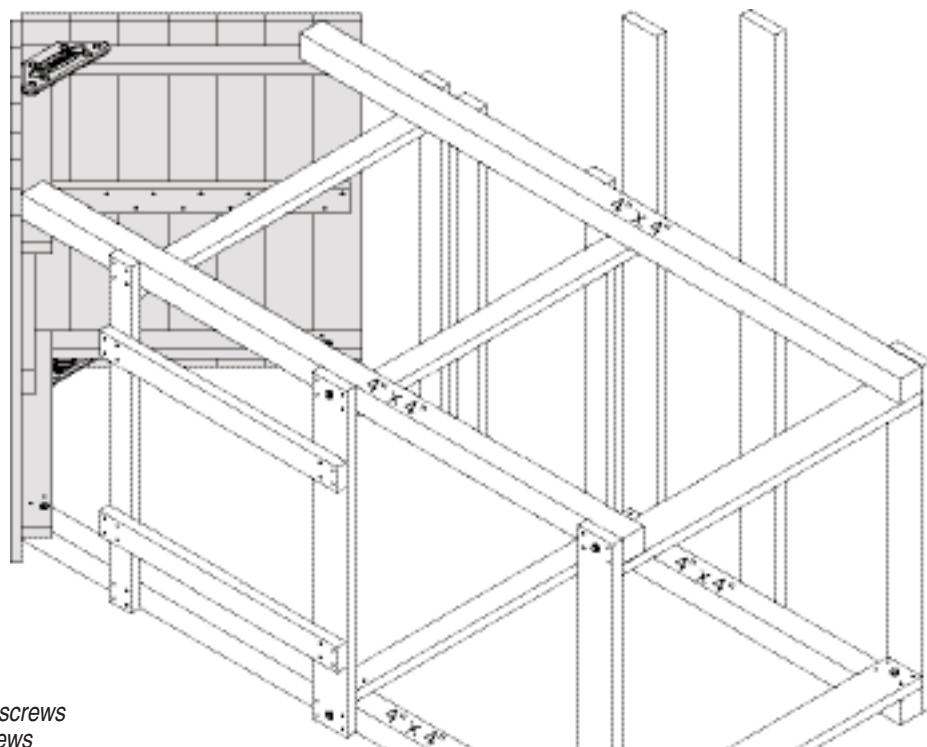
SEE PAGES 6 & 7 FOR HOLE PATTERNS

Items for STEP 4:

- (1) Roof Assembly
- (4) 3/8" x 3" lag screws
- (4) 3/8" washers
- (8) #8 x 2 1/2" deck screws

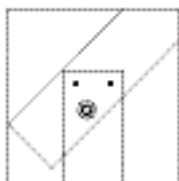
Position roof assembly so both sides of roof overhang 4" x 4" boards equally. Secure each corner with two #8 x 2 1/2" deck screws and one 3/8" x 3" lag screw with 3/8" washer. (See below for detail of screw placement.)

Lift tower assembly upright and position in desired location.



Caution: Ground must be level. Installation on a hill or incline will create unsafe conditions.

Detail of Screw Placement



Predrill –
 1/8" Dia. for #8 x 2 1/2" deck screws
 1/4" Dia. for 3/8" x 3" lag screws

Items for **STEP 5:**

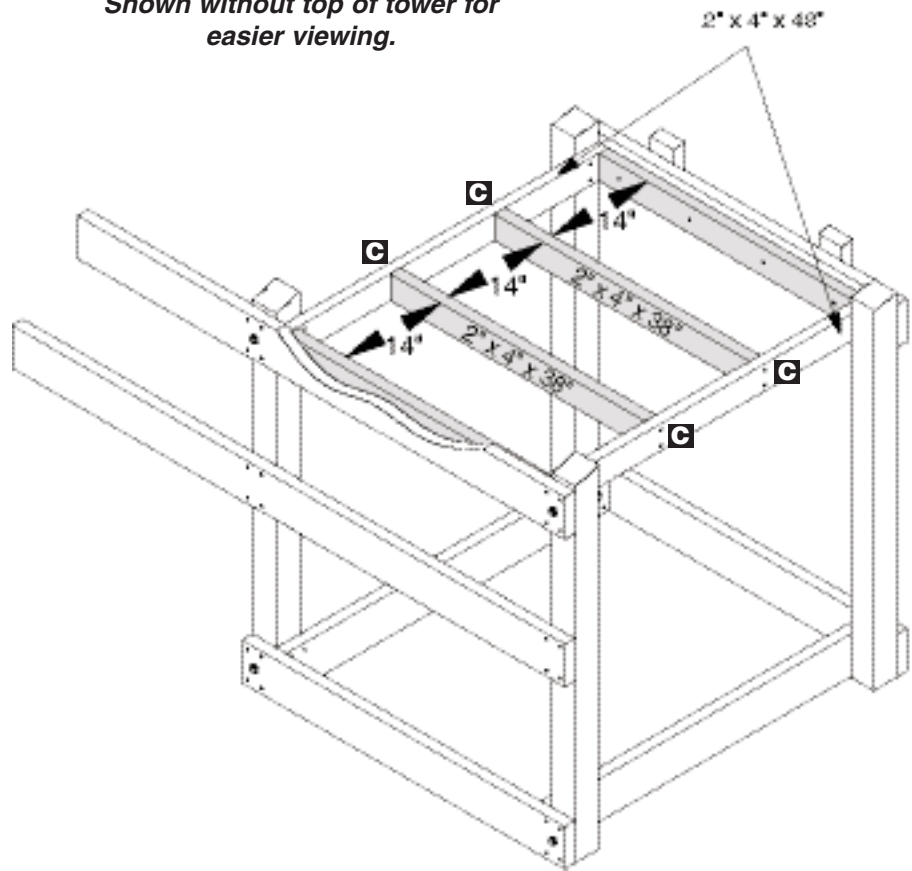
- (4) 2" x 4" x 38" boards
- (16) #8 x 2½" deck screws

Position boards flush with the top of the 2" x 4" x 48" boards.

Secure the two outside boards with four #8 x 2½" deck screws evenly spaced.

Secure center boards with #8 x 2½" deck screws.

Shown without top of tower for easier viewing.



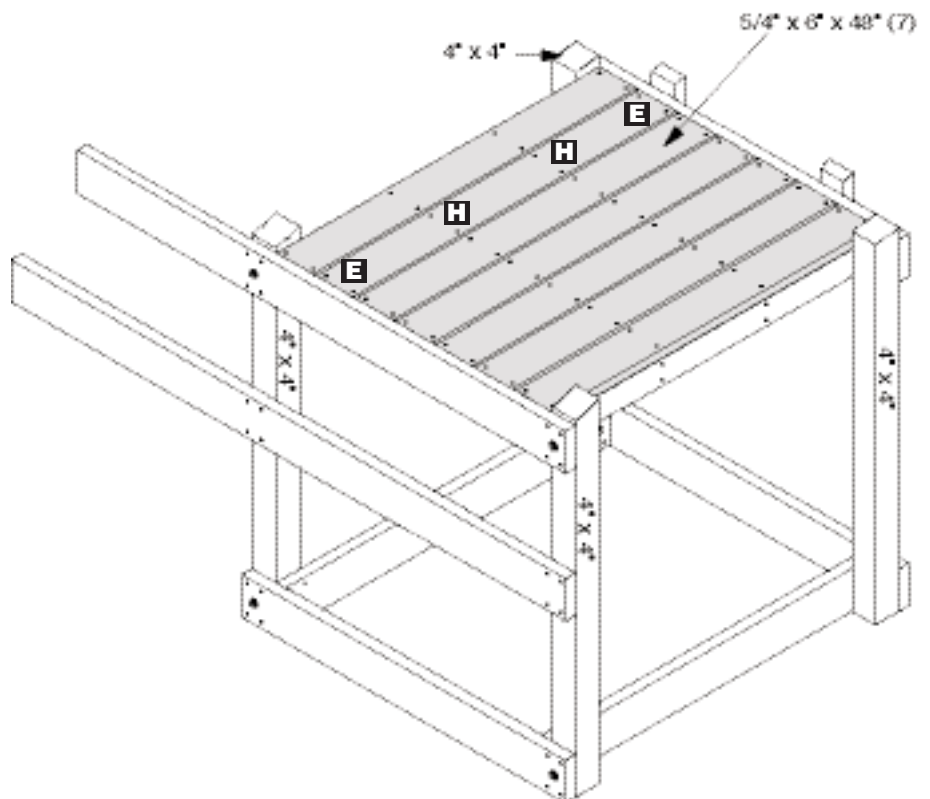
**SEE PAGE 6 FOR
HOLE PATTERNS**

Items for **STEP 6:**

- (7) 5/4" x 6" x 48" boards
- (56) #8 x 2½" deck screws

Position outside boards tight against the 4" x 4" boards and equally space inside boards as shown. Secure with #8 x 2½" deck screws.

Caution: *Gap between boards must be smaller than ¼" or larger than ½" or a finger entrapment could exist.*



**SEE PAGE 7 FOR
HOLE PATTERNS**

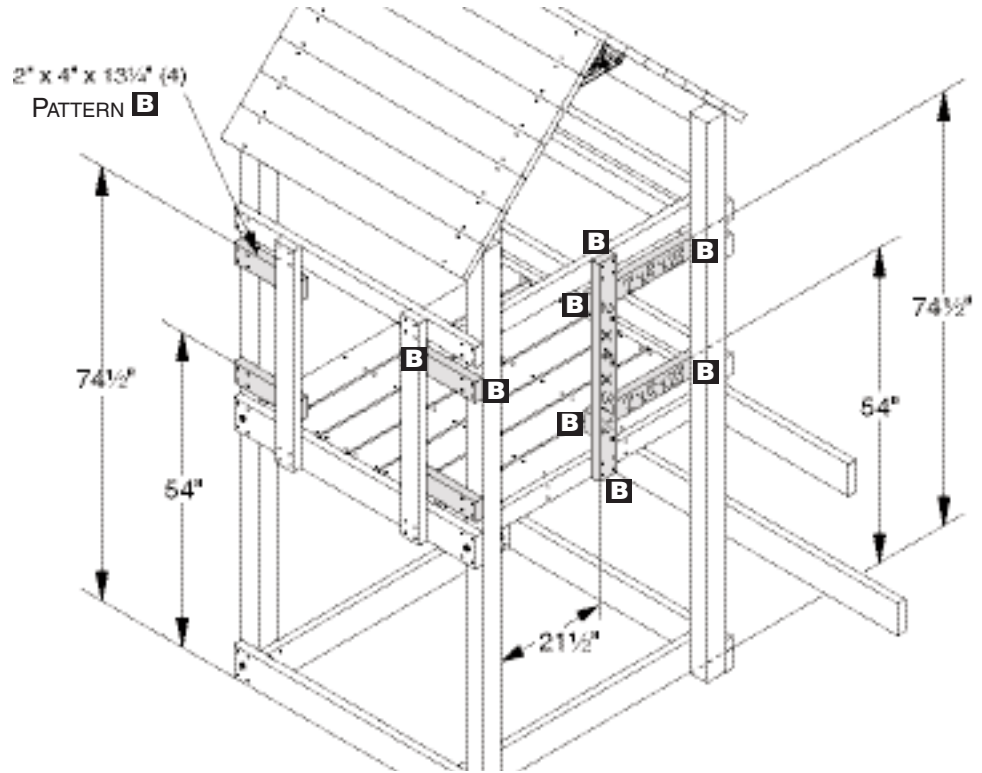


If you purchased the optional Adventure Tunnel Kit (PS 8876), it must be installed now. Follow the building instructions included with the Adventure Tunnel Kit. Then continue with Step 8 of these instructions. If you are not installing the Adventure Tunnel Kit, proceed with these instructions.

Items for STEP 7:

- (1) 2" x 4" x 37 1/4" board
- (2) 2" x 4" x 23" boards
- (4) 2" x 4" x 13 1/4" boards
- (56) #8 x 2 1/2" deck screws

Position boards at dimensions shown. Secure with #8 x 2 1/2" deck screws.

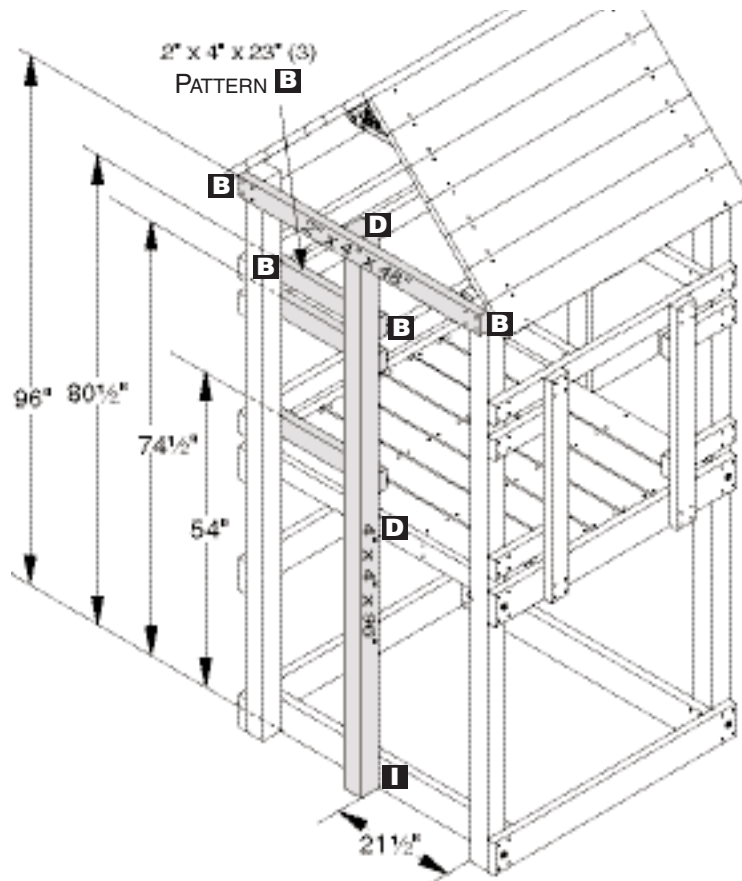


SEE PAGE 6 FOR HOLE PATTERNS

Items for STEP 8:

- (1) 4" x 4" x 96" board
- (3) 2" x 4" x 23" boards
- (1) 2" x 4" x 48" board
- (44) #8 x 2 1/2" deck screws

Position boards at dimensions shown. Secure with #8 x 2 1/2" deck screws.



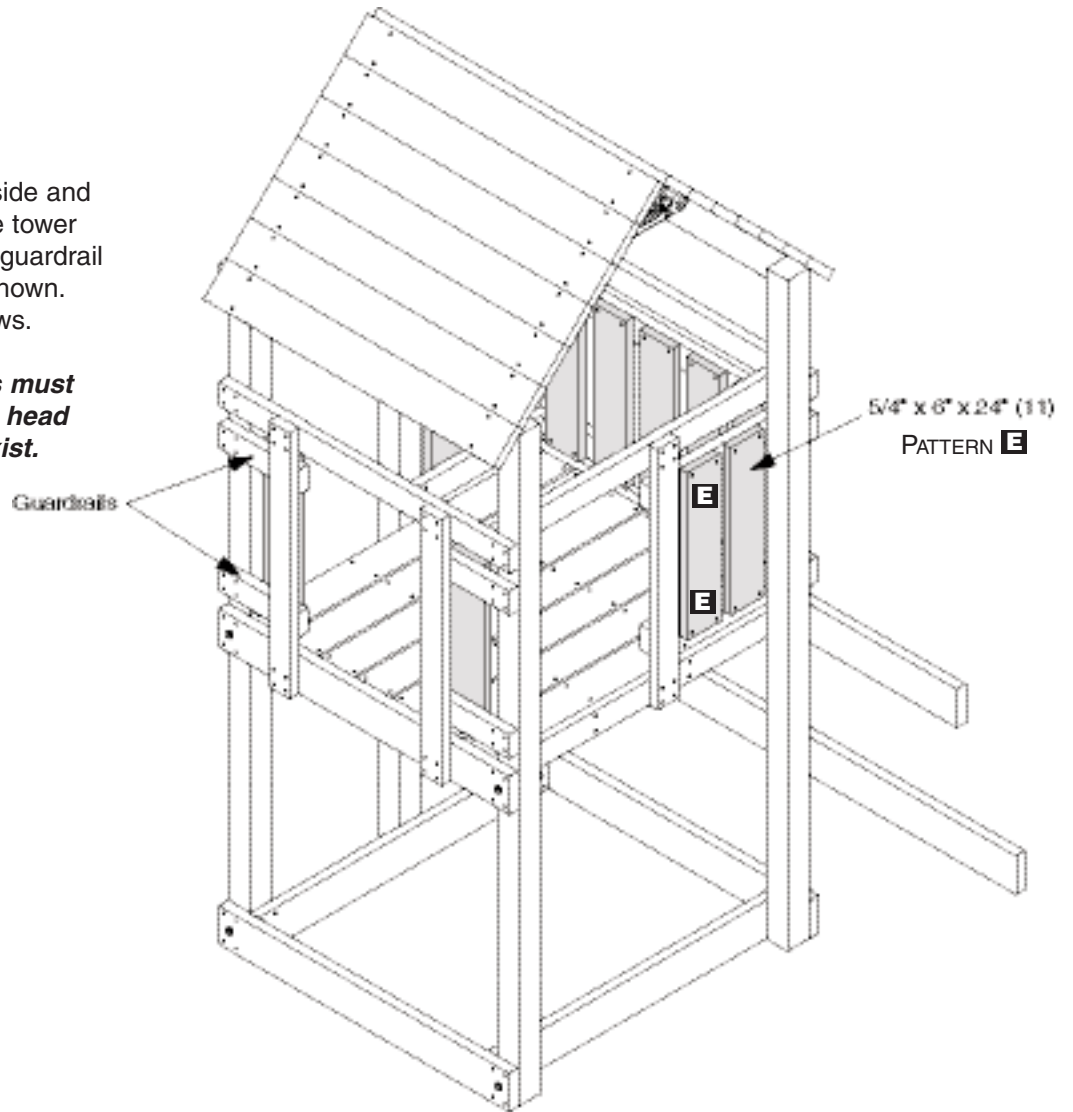
SEE PAGES 6 & 7 FOR HOLE PATTERNS

Items for STEP 9:

- (11) 5/4" x 6" x 24" boards
- (44) #8 x 2 1/2" deck screws

Position seven boards on the inside and four boards on the outside of the tower flush with the top and bottom of guardrail boards and equally spaced as shown. Secure with #8 x 2 1/2" deck screws.

Caution: *Gap between boards must not exceed 3 1/2" or a head entrapment could exist.*



**SEE PAGE 7 FOR
HOLE PATTERNS**

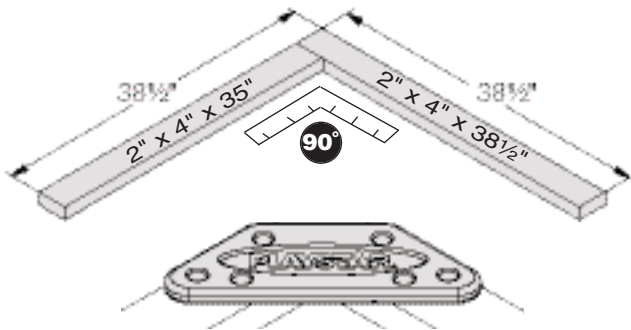
Back Tower Roof Assembly - SILVER

Items for STEP 1:

- (2) 2" x 4" x 38½" boards
- (2) 2" x 4" x 35" boards
- (2) Roof Caps
- (12) #14 x 1¼" pan head screws

On a flat surface position boards together as shown. Keep boards square while attaching roof cap to boards with #14 x 1¼" pan head screws.

Repeat for second assembly.



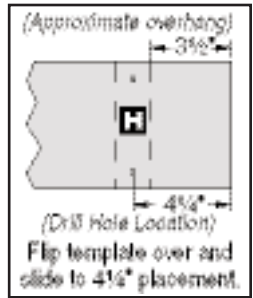
Items for STEP 2:

- (2) Step 1 Assemblies
- (4) 5/4" x 6" x 48" boards
- (16) #8 x 2½" deck screws

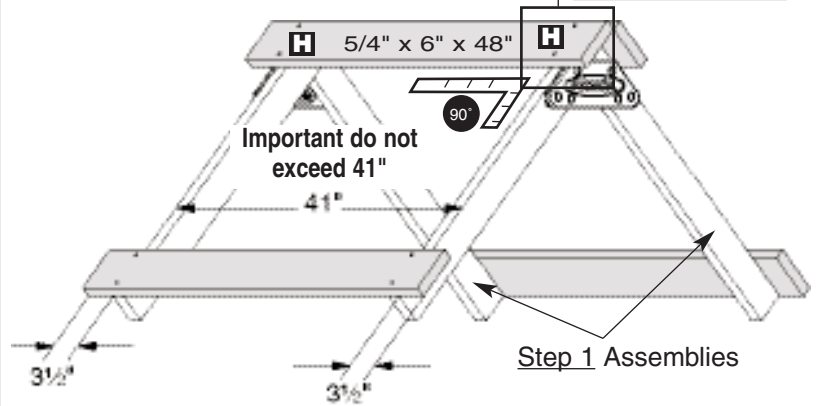
Hold assemblies 41" apart. Position boards flush at the top and bottom as shown.

Keep boards square and secure with #8 x 2½" deck screws.

Repeat for other side.



SEE PAGE 7 FOR HOLE PATTERNS



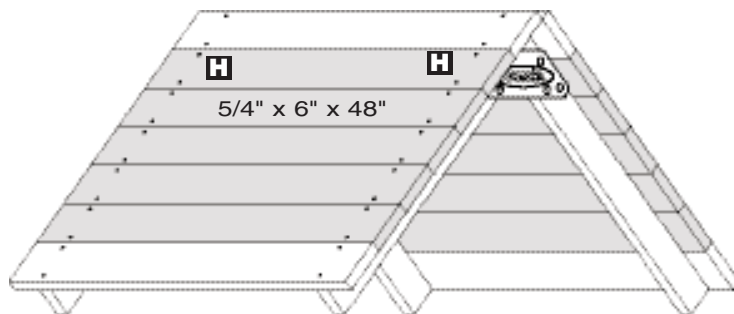
Items for STEP 3:

- (10) 5/4" x 6" x 48" boards
- (40) #8 x 2½" deck screws

Start at the top and attach boards between top and bottom boards as shown. Secure with #8 x 2½" deck screws.

Note: If the last board doesn't fit because the boards are oversized, remove the bottom board and reattach.

Repeat for other side.

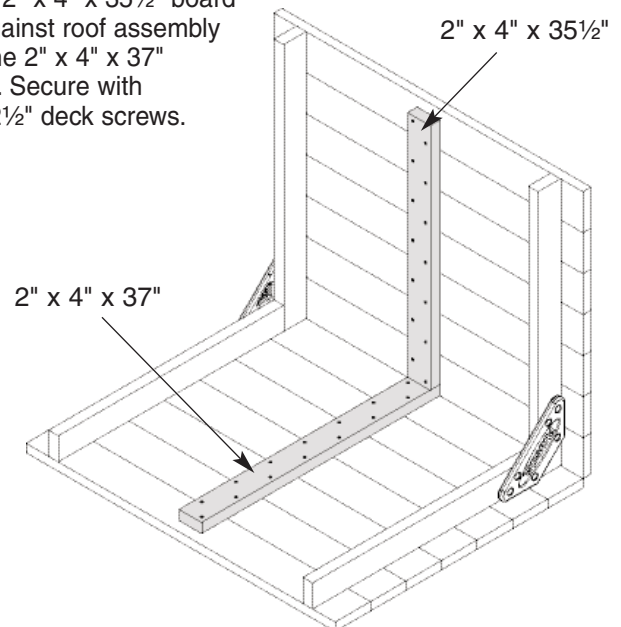


Items for STEP 4:

- (1) 2" x 4" x 37" board
- (1) 2" x 4" x 35½" board
- (28) #8 x 2½" deck screws

From the underside of roof assembly, place 2" x 4" x 37" board flat against roof assembly centered as shown. Secure with two #8 x 2½" deck screws per each roof board.

Place 2" x 4" x 35½" board flat against roof assembly and the 2" x 4" x 37" board. Secure with #8 x 2½" deck screws.

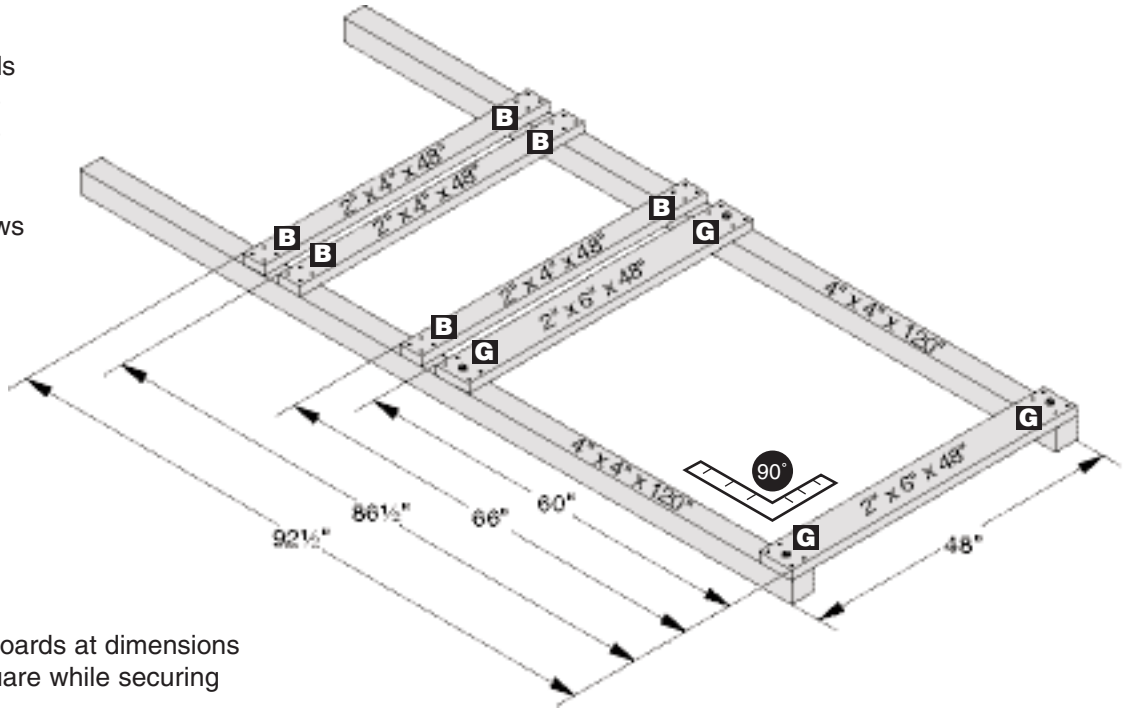


SEE PAGE 7 FOR HOLE PATTERNS

BACK TOWER ASSEMBLY - SILVER

Items for STEP 1:

- (2) 4" x 4" x 120" boards
- (2) 2" x 6" x 48" boards
- (3) 2" x 4" x 48" boards
- (4) $\frac{3}{8}$ " x 3" lag screws
- (4) $\frac{3}{8}$ " washers
- (40) #8 x 2 $\frac{1}{2}$ " deck screws



On a flat surface position boards at dimensions shown. Keep assembly square while securing with #8 x 2 $\frac{1}{2}$ " deck screws.

Install $\frac{3}{8}$ " x 3" lag screws with $\frac{3}{8}$ " washers at **G**.

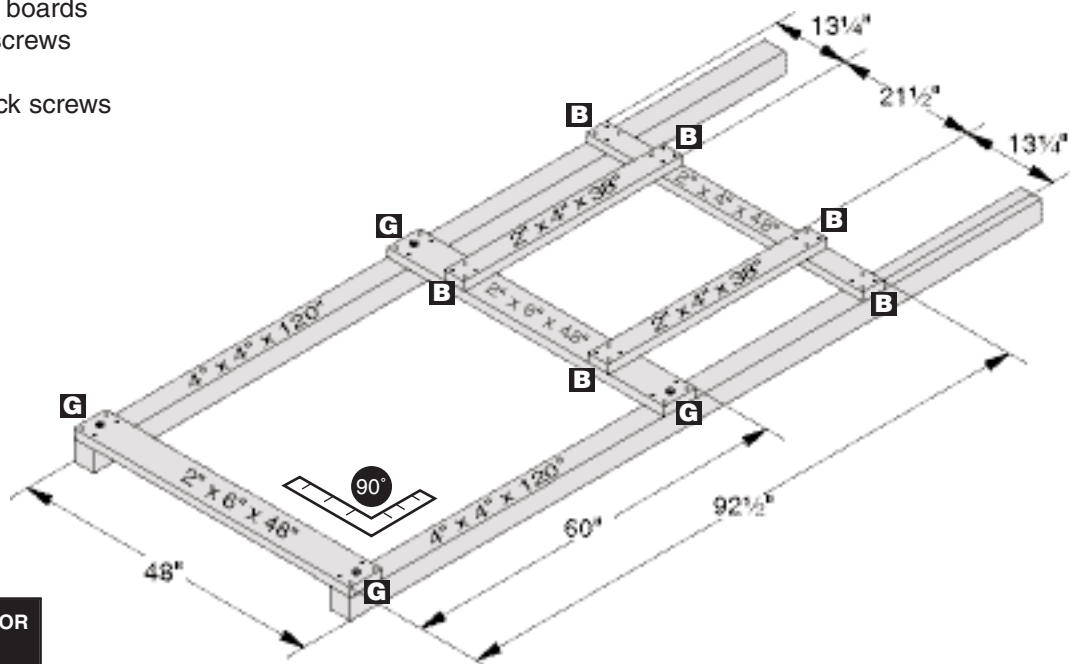
SEE PAGES 6 & 7 FOR
HOLE PATTERNS

Items for STEP 2:

- (2) 4" x 4" x 120" boards
- (2) 2" x 6" x 48" boards
- (1) 2" x 4" x 48" board
- (2) 2" x 4" x 38" boards
- (4) $\frac{3}{8}$ " x 3" lag screws
- (4) $\frac{3}{8}$ " washers
- (40) #8 x 2 $\frac{1}{2}$ " deck screws

On a flat surface position boards at dimensions shown. Keep assembly square while securing with #8 x 2 $\frac{1}{2}$ " deck screws.

Install $\frac{3}{8}$ " x 3" lag screws with $\frac{3}{8}$ " washers at **G**.



SEE PAGES 6 & 7 FOR
HOLE PATTERNS

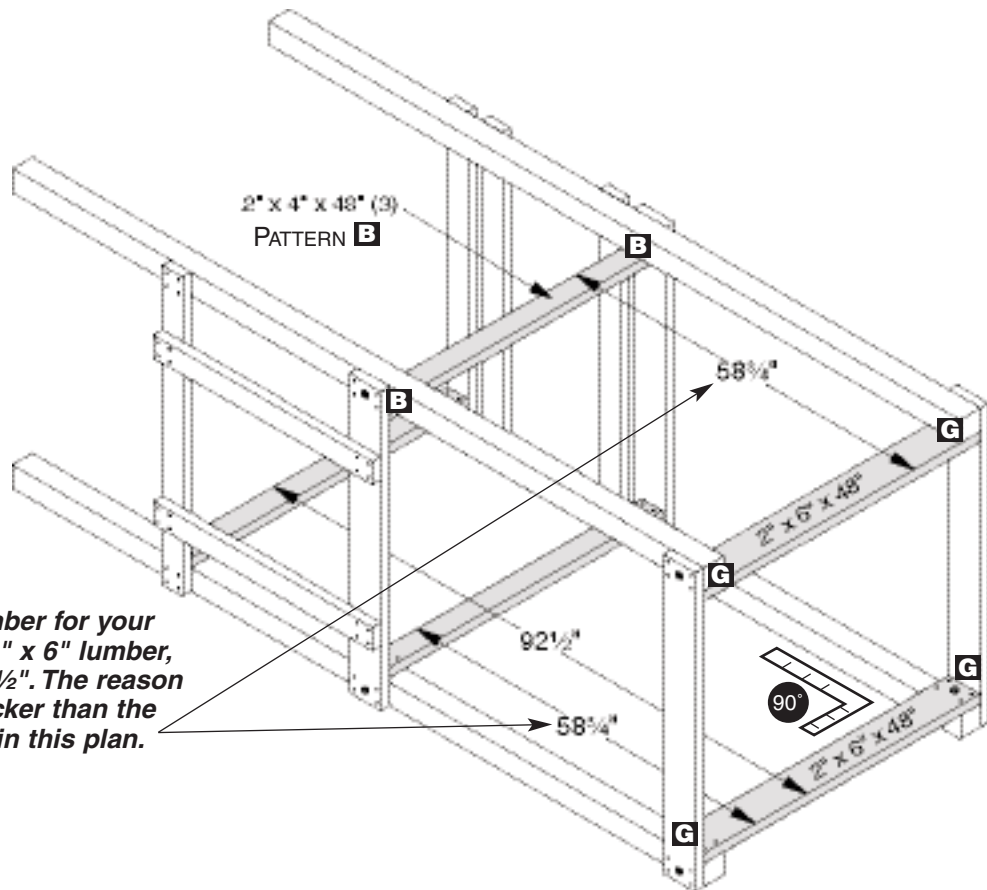
Items for **STEP 3:**

- (2) 2" x 6" x 48" boards
- (3) 2" x 4" x 48" boards
- (4) 3/8" x 3" lag screws
- (4) 3/8" washers
- (40) #8 x 2 1/2" deck screws

On a flat surface position boards at dimensions shown. Keep assembly square while securing with #8 x 2 1/2" deck screws.

Install 3/8" x 3" lag screws with 3/8" washers at **G**.

Note: If you are using 2" x 6" lumber for your deck boards in place of 5/4" x 6" lumber, this dimension must be 58 1/2". The reason is 2" x 6" lumber is 1/4" thicker than the 5/4" x 6" lumber called for in this plan.



SEE PAGES 6 & 7 FOR HOLE PATTERNS

Items for **STEP 4:**

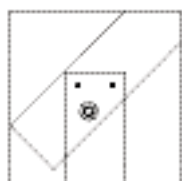
- (1) Roof Assembly
- (4) 3/8" x 3" lag screws
- (4) 3/8" washers
- (8) #8 x 2 1/2" deck screws

Position roof assembly so both sides of roof overhang 4" x 4" boards equally. Secure each corner with two #8 x 2 1/2" deck screws and one 3/8" x 3" lag screw with 3/8" washer. (See below for detail of screw placement.)

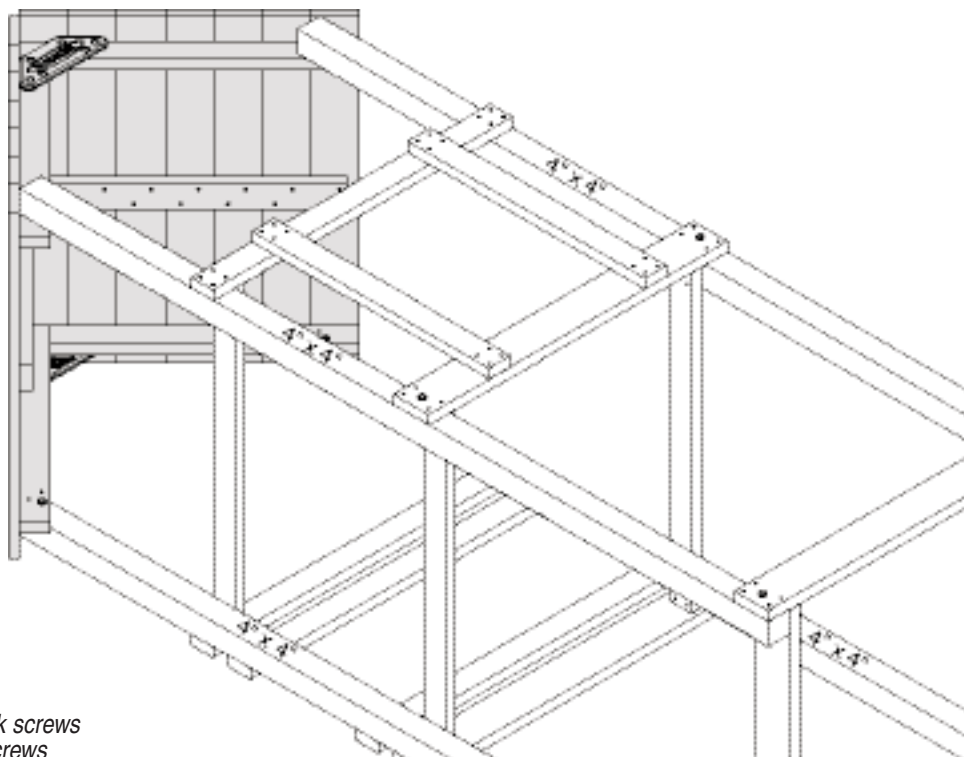
Lift tower assembly upright and position in desired location.

Caution: Ground must be level. Installation on a hill or incline will create unsafe conditions.

Detail of Screw Placement



Predrill –
 1/8" Dia. for #8 x 2 1/2" deck screws
 1/4" Dia. for 3/8" x 3" lag screws



Items for **STEP 5:**

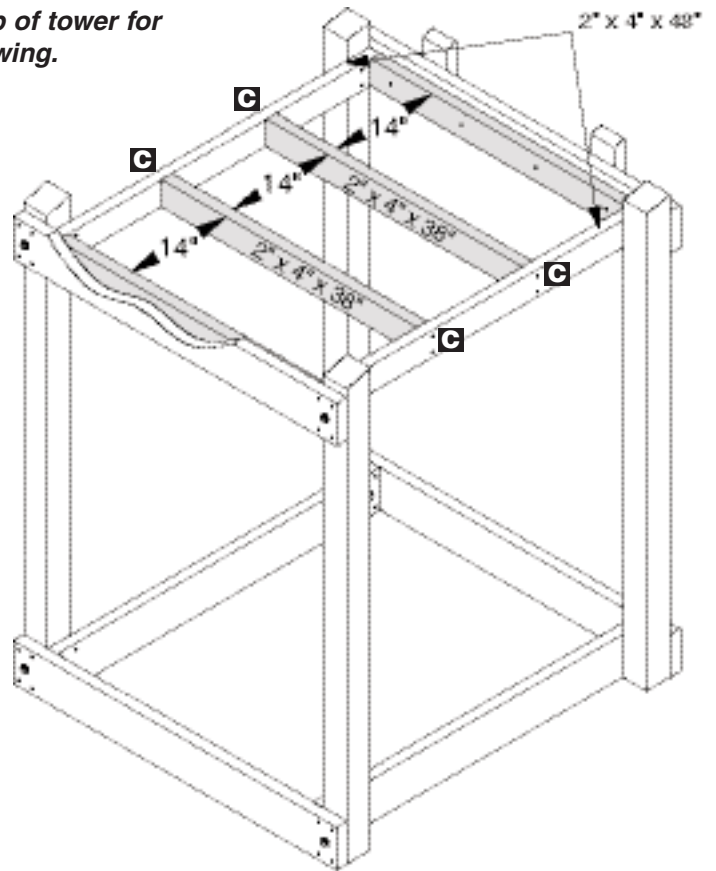
- (4) 2" x 4" x 38" boards
- (16) #8 x 2½" deck screws

Position boards flush with the top of the 2" x 4" x 48" boards.

Secure the two outside boards with four #8 x 2½" deck screws evenly spaced.

Secure center boards with #8 x 2½" deck screws.

Shown without top of tower for easier viewing.



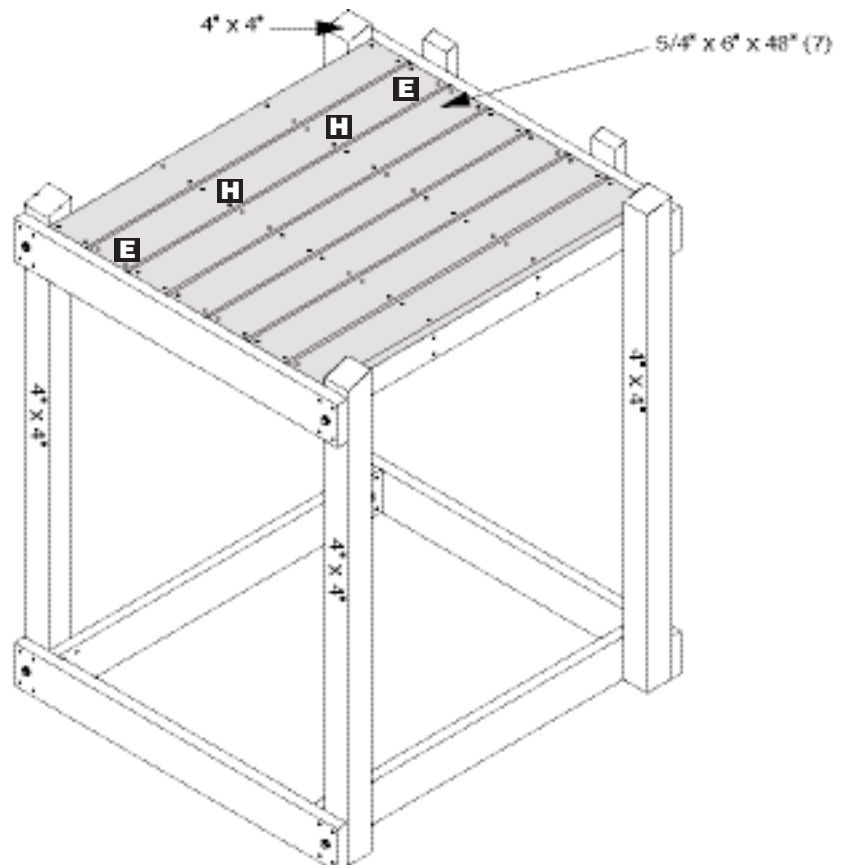
SEE PAGE 6 FOR HOLE PATTERNS

Items for **STEP 6:**

- (7) 5/4" x 6" x 48" boards
- (56) #8 x 2½" deck screws

Position outside boards tight against the 4" x 4" boards and equally space inside boards as shown. Secure with #8 x 2½" deck screws.

Caution: *Gap between boards must be smaller than ¼" or larger than ½" or a finger entrapment could exist.*



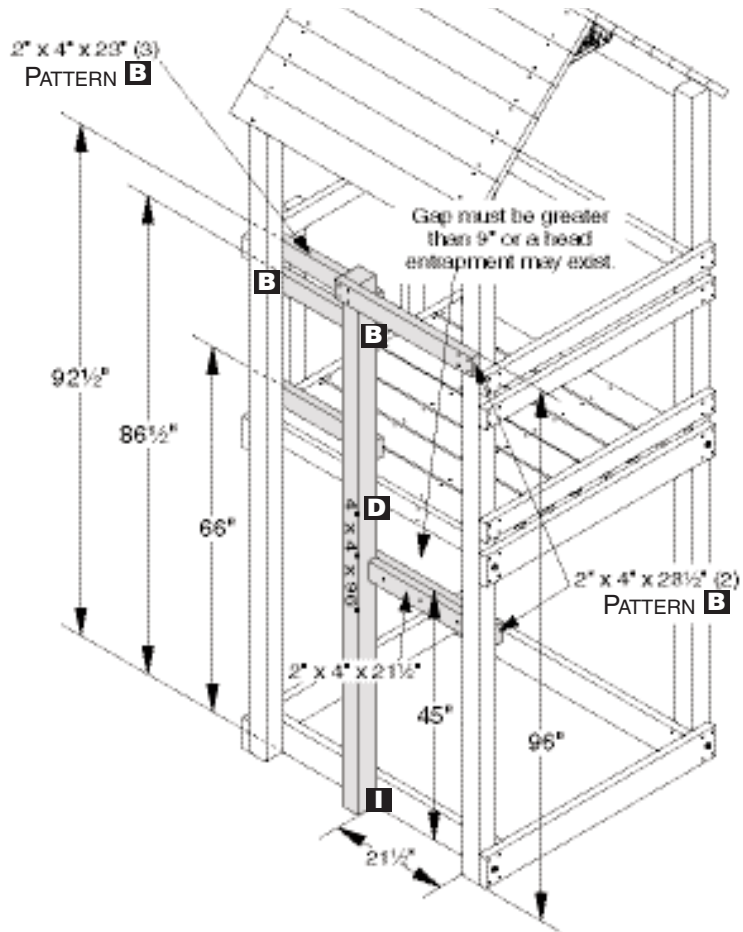
SEE PAGE 7 FOR HOLE PATTERNS

Items for STEP 7:

- (1) 4" x 4" x 96" board
- (2) 2" x 4" x 28½" boards
- (3) 2" x 4" x 23" boards
- (1) 2" x 4" x 21½" board
- (51) #8 x 2½" deck screws

Position boards at dimensions shown. Secure with #8 x 2½" deck screws.

Position 2" x 4" x 21½" board at dimension shown. Secure with three #8 x 2½" deck screws evenly spaced.



SEE PAGES 6 & 7 FOR HOLE PATTERNS



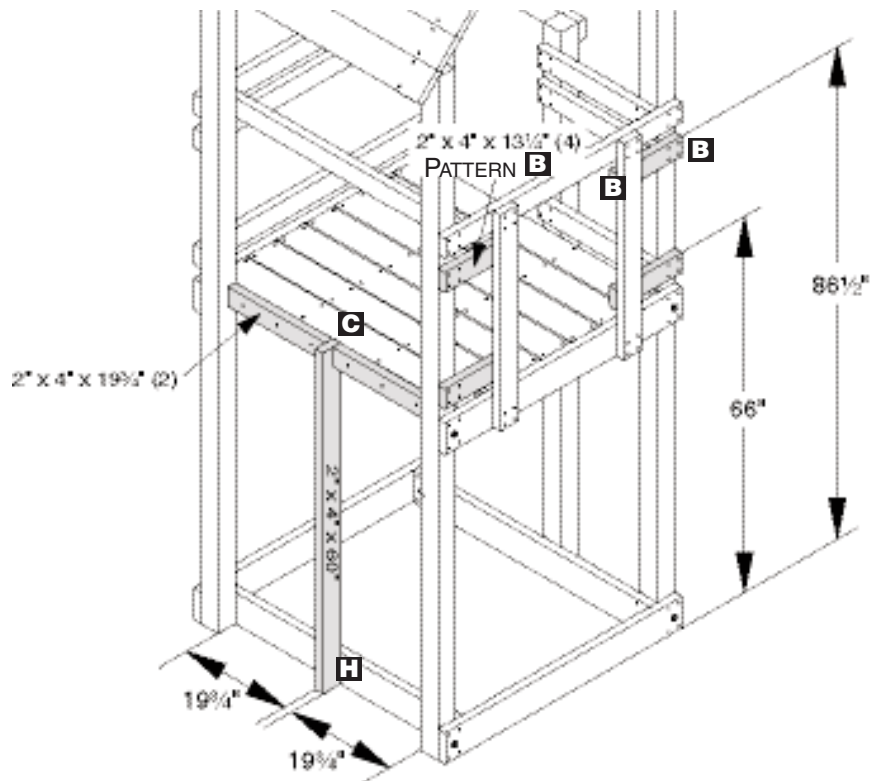
*If you purchased the optional **Adventure Tunnel Kit (PS 8876)**, it must be installed now. Follow the building instructions included with the **Adventure Tunnel Kit**. Then continue with these instructions below. If you are not installing the **Adventure Tunnel Kit**, proceed with these instructions.*

Items for STEP 8:

- (1) 2" x 4" x 60" board
- (2) 2" x 4" x 19¾" boards
- (4) 2" x 4" x 13¼" boards
- (42) #8 x 2½" deck screws

Position boards at dimensions shown. Secure with #8 x 2½" deck screws.

Position 2" x 4" x 19¾" boards flush with top of deck. Secure each with three #8 x 2½" deck screws evenly spaced.



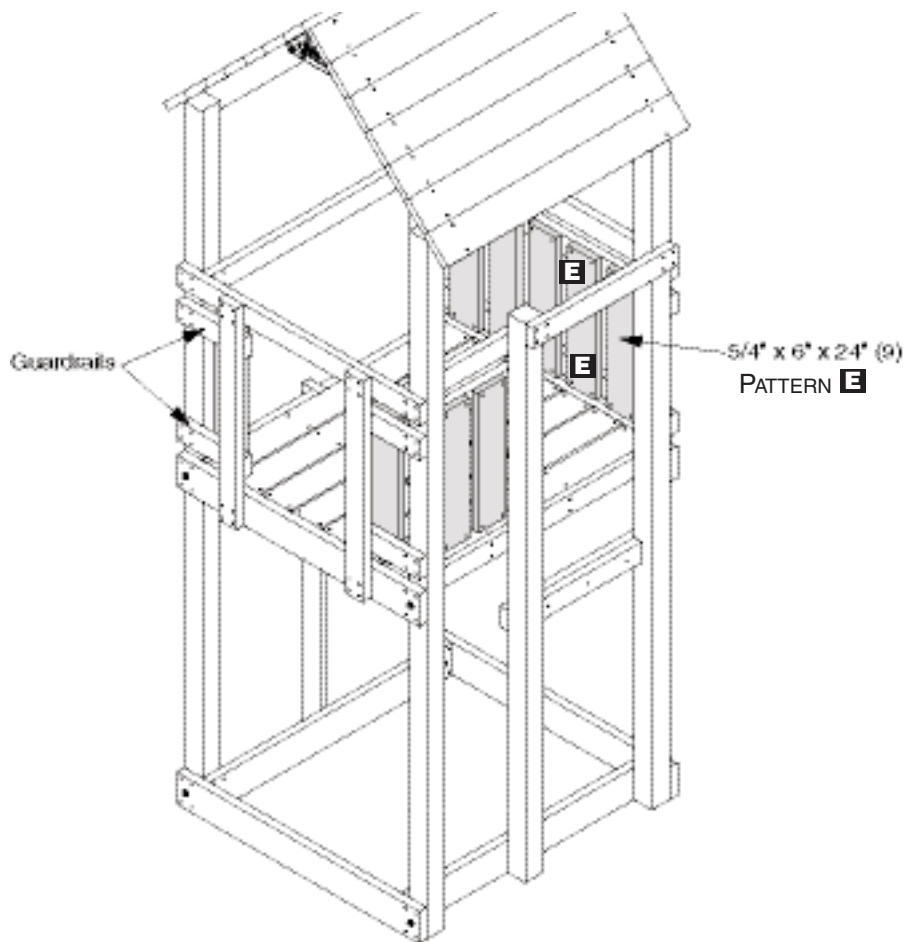
SEE PAGES 6 & 7 FOR HOLE PATTERNS

Items for **STEP 9:**

- (9) 5/4" x 6" x 24" boards
- (36) #8 x 2½" deck screws

Position seven boards on the inside and two boards on the outside of the tower flush with the top and bottom of guardrail boards and equally spaced as shown. Secure with #8 x 2½" deck screws.

Caution: *Gap between boards must not exceed 3½" or a head entrapment could exist.*



**SEE PAGE 7 FOR
HOLE PATTERNS**

Items for **STEP 10:**

- (10) 5/4" x 6" x 48" boards
- (100) #8 x 2½" deck screws

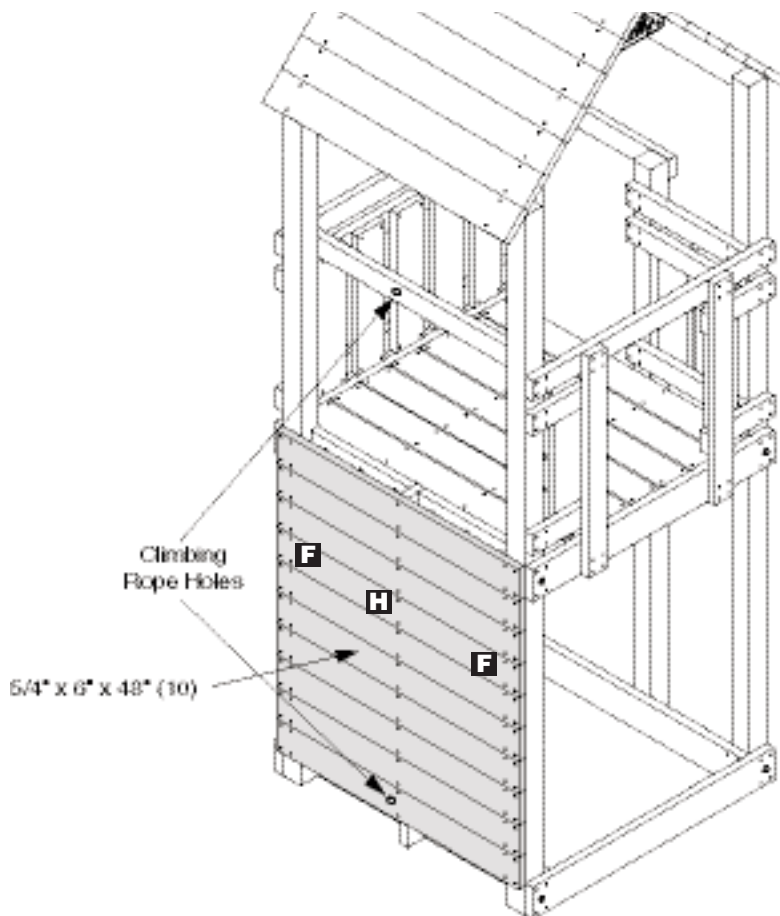
Position first 5/4" x 6" x 48" board flush with the top of deck. Secure with #8 x 2½" deck screws.

Position next 5/4" x 6" x 48" board tight against the bottom of first board. Secure with #8 x 2½" deck screws.

Repeat for remaining boards.

Hole placement for Climbing Rope:

Drill a ¾" hole in center of boards shown. Install rope per instructions on Page 76.



**SEE PAGE 7 FOR
HOLE PATTERNS**

Items for STEP 11:

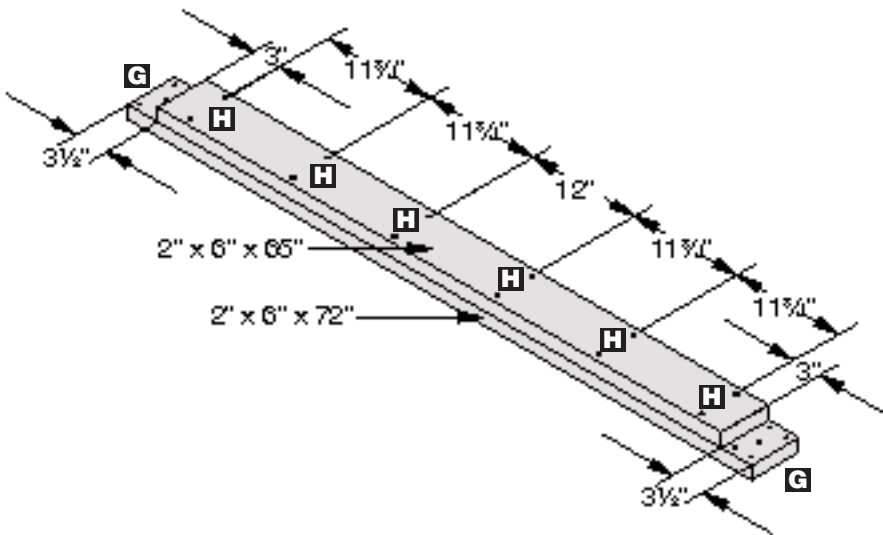
- (2) 2" x 6" x 72" boards
- (2) 2" x 6" x 65" board
- (24) #8 x 2½" deck screws

Drill Pattern **G** on each end of 2" x 6" x 72" board as shown.

Position 2" x 6" x 65" board centered on top of 2" x 6" x 72" board as shown. Secure with #8 x 2½" deck screws.

Repeat for second assembly.

SEE PAGE 7 FOR HOLE PATTERNS



If you purchased the optional Climbing Bar Kit (PS 7766), skip Step 12 and continue with Step 13.

If you are not installing the Climbing Bar Kit, proceed with these instructions.

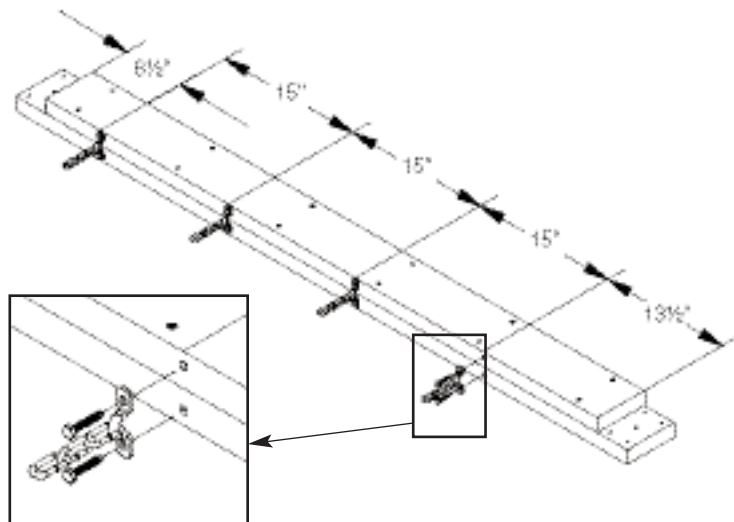
Items for STEP 12:

- (8) U-straps
- (8) 3 link chain
- (16) ¼" x 1½" lag screws

Using a U-strap as a drill guide. Drill two deep at dimensions shown. Install chain. Secure with ¼" x 1½" lag screws.

Repeat for second assembly.

Note: Do not connect the monkey ri playset has been properly inst ready for use.



Items for STEP 13:

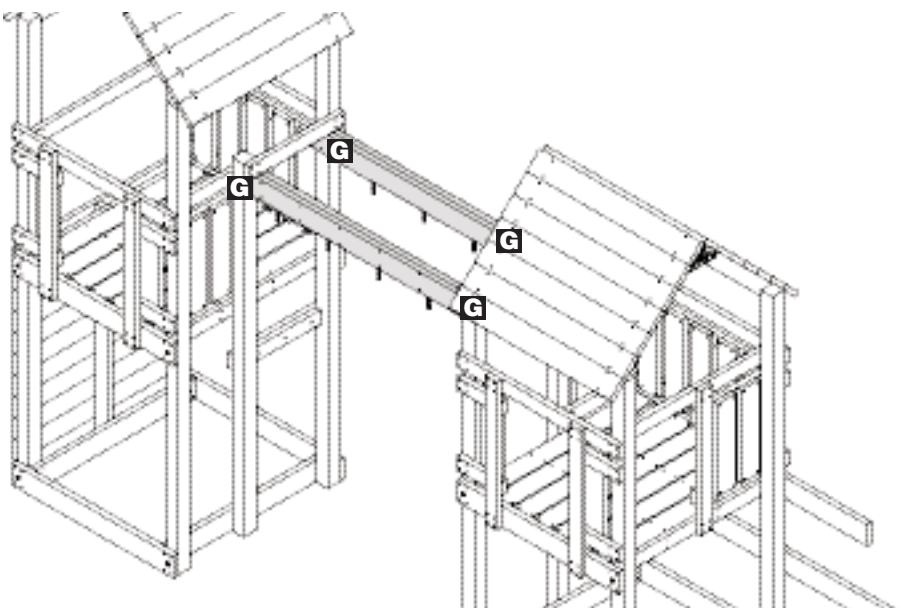
- (2) Step 12 Assemblies
- (4) ⅜" x 3" lag screws
- (4) ⅜" washers
- (16) #8 x 2½" deck screws

Position Towers approximately six feet apart as shown.

Position Step 12 Assemblies as shown.

Secure with #8 x 2½" deck screws and ⅜" x 3" lag screws with washers.

PATTERN **G**



SEE PAGE 7 FOR HOLE PATTERNS



You have the option at this step to add the Extend-A-Bay/Swing Station Kit (PS 7664). This Kit allows you to extend your 10' Swing Station to 18' and add two more swing activities of your choice.

However, it must be installed now! During original construction!

Purchase Kit, lumber and additional swing activities separately. Follow the building instructions for Left-hand Swing Station provided with the Extend-A-Bay/Swing Station Kit.

If you are not installing the Extend-A-Bay option, proceed to Step 1 of the 10' Swing Station Assembly below.

10' Swing Station Assembly – Gold and Silver

Items for STEP 1:

- (3) 4" x 4" x 96" boards
- (1) Right-hand Sturdy-Frame Bracket
- (2) Left-hand Sturdy-Frame Brackets
- (6) 3/8" x 4" hex bolts
- (12) 3/8" washers
- (6) 3/8" lock nuts
- (6) #8 x 1 1/4" deck screws

Install one Right-hand (R) and two Left-hand (L) Sturdy-Frame Brackets onto separate 4" x 4" boards. (Brackets are stamped R and L)

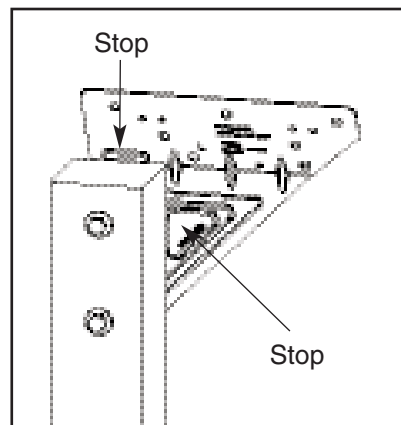
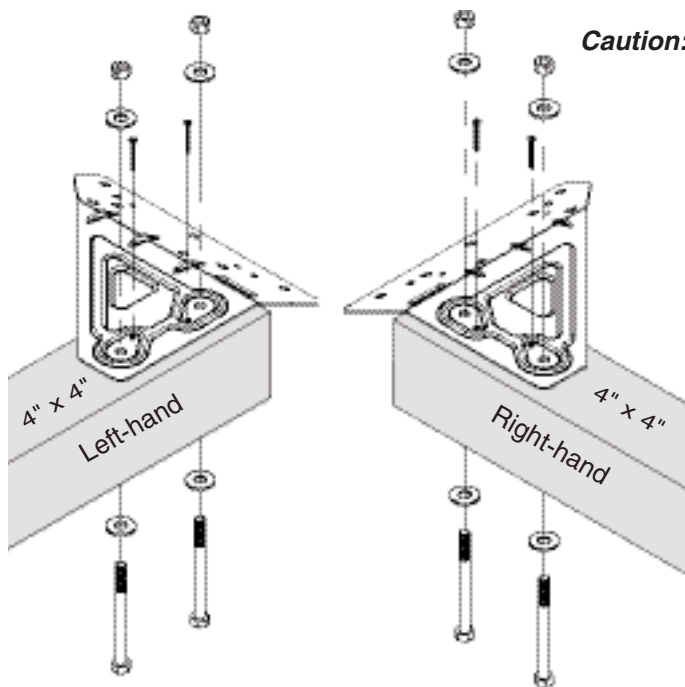
Position bracket flat on a 4" x 4" board as shown. Slide bracket over and down until it stops against the top and the side of the 4" x 4" board. When correctly positioned, the edge of the Sturdy-Frame Bracket will be parallel with the edge of the 4" x 4" board. Attach bracket with #8 x 1 1/4" deck screws.

Using the Sturdy-Frame Bracket as a drill guide, drill two 3/8" holes through the 4" x 4" board. Secure with two 3/8" x 4" hex bolts with washers and lock nuts.

Caution: Make sure bolts are tight and the threads of each bolt are at least flush to the nut to ensure proper engagement.

Note: If your lumber is oversized, counterboring may be required.

Repeat for each assembly.



Rear View of bracket and 4" x 4" showing correct position.

Items for STEP 2:

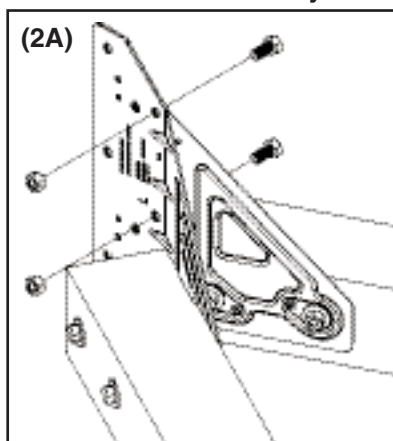
- (4) 3/8" x 3/4" hex bolts
- (4) 3/8" lock nuts

Mate one Right-hand Bracket Assembly to one Left-hand Bracket Assembly to create an A-Frame Assembly. Secure with 3/8" x 3/4" hex bolts and lock nuts (do not use washers). **(2A)**

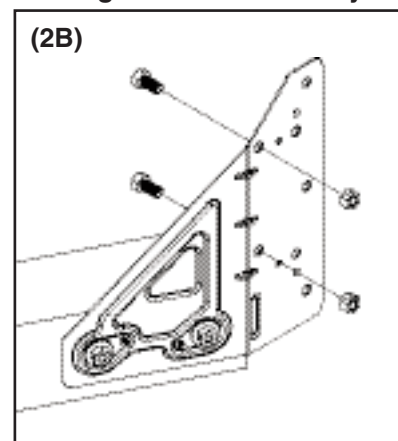
Place two 3/8" x 3/4" hex bolts and lock nuts through the two lower holes of bracket on single 4" x 4" Assembly (do not use washers). **(2B)**

Note: These bolts are necessary to properly align the 4"x4" Assembly to beam at a later step.

A-Frame Assembly



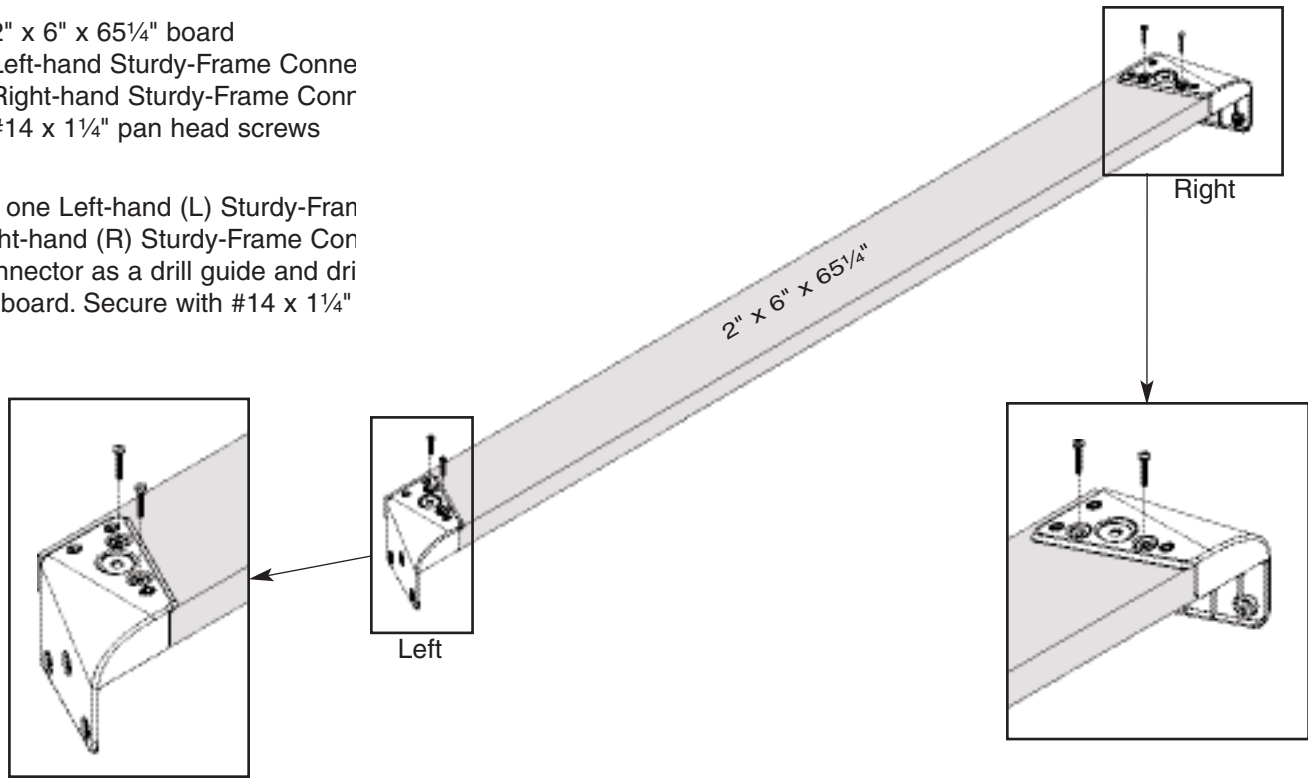
Single 4" x 4" Assembly



Items for STEP 3:

- (1) 2" x 6" x 65 1/4" board
- (1) Left-hand Sturdy-Frame Connector
- (1) Right-hand Sturdy-Frame Connector
- (4) #14 x 1 1/4" pan head screws

Position one Left-hand (L) Sturdy-Frame Connector and one Right-hand (R) Sturdy-Frame Connector as a drill guide and drill into the board. Secure with #14 x 1 1/4" pan head screws.



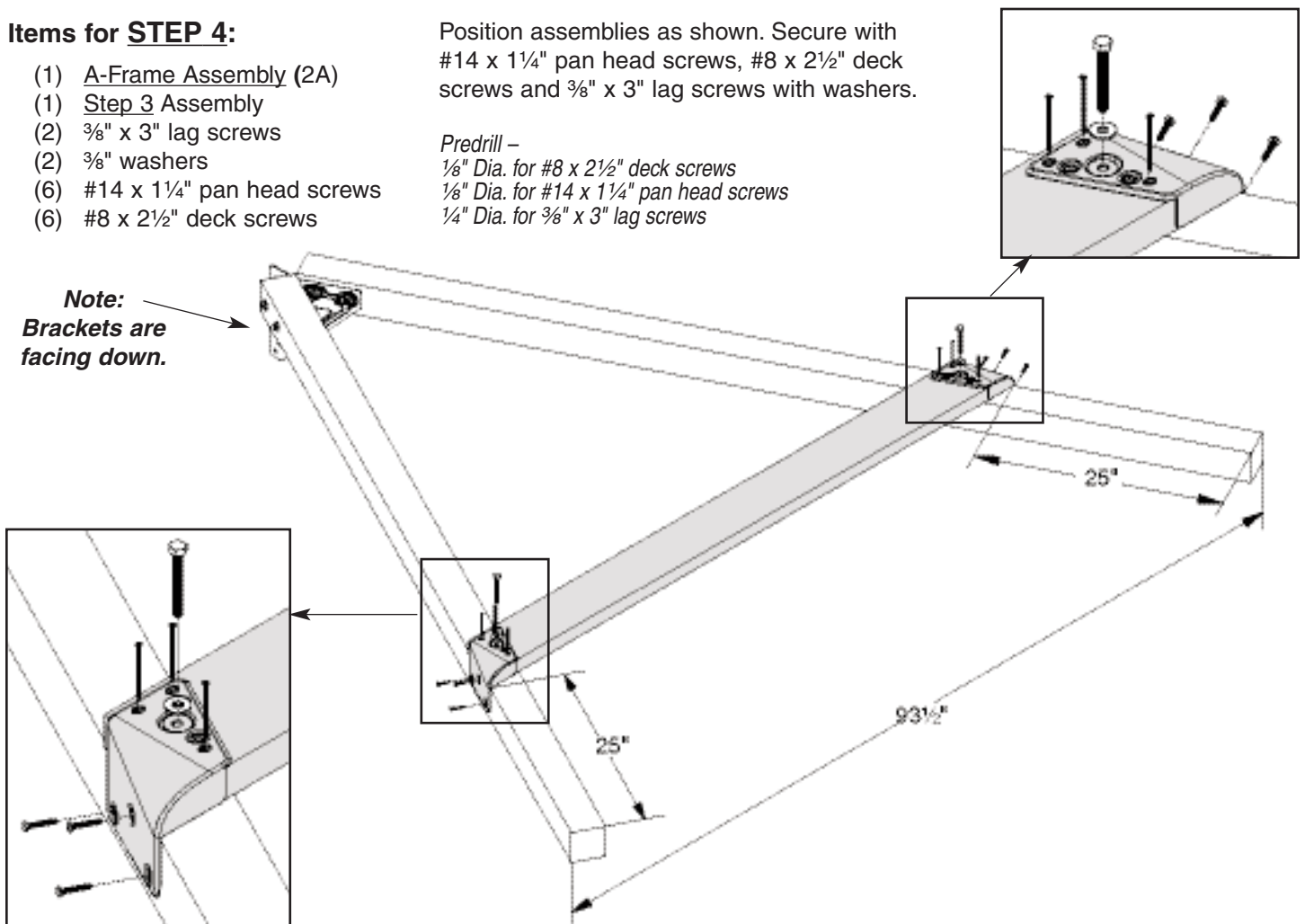
Items for STEP 4:

- (1) A-Frame Assembly (2A)
- (1) Step 3 Assembly
- (2) 3/8" x 3" lag screws
- (2) 3/8" washers
- (6) #14 x 1 1/4" pan head screws
- (6) #8 x 2 1/2" deck screws

Position assemblies as shown. Secure with #14 x 1 1/4" pan head screws, #8 x 2 1/2" deck screws and 3/8" x 3" lag screws with washers.

Predrill –
 1/8" Dia. for #8 x 2 1/2" deck screws
 1/8" Dia. for #14 x 1 1/4" pan head screws
 1/4" Dia. for 3/8" x 3" lag screws

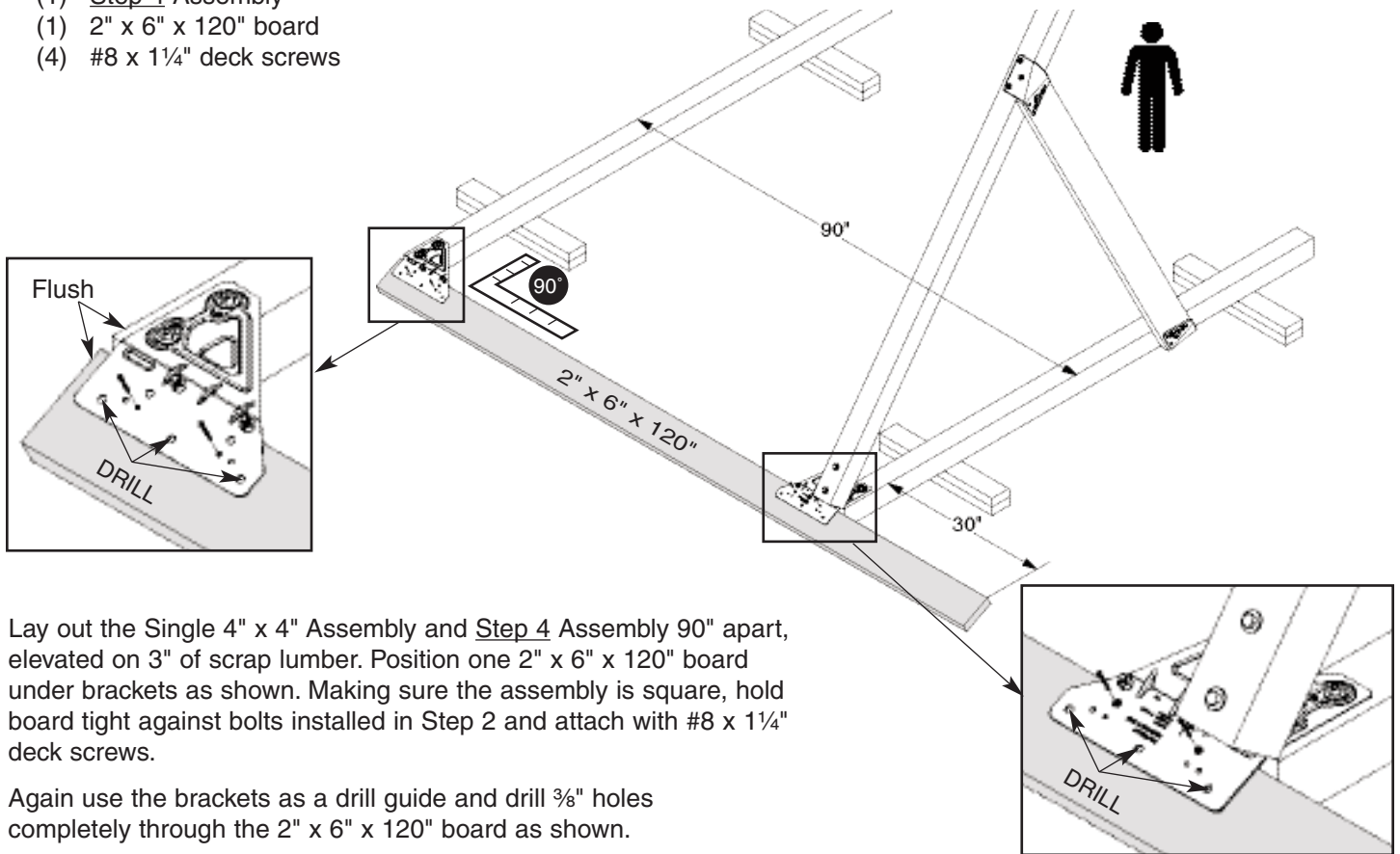
Note:
 Brackets are facing down.



Items for STEP 5:

- (1) Single 4" x 4" Assembly (2B)
- (1) Step 4 Assembly
- (1) 2" x 6" x 120" board
- (4) #8 x 1 1/4" deck screws

Helpful Hint: If you are standing here looking at the assembly, the A-Frame Assembly will be on your left side, the single 4" x 4" Assembly will be on your right side and the brackets will be pointing at each other.

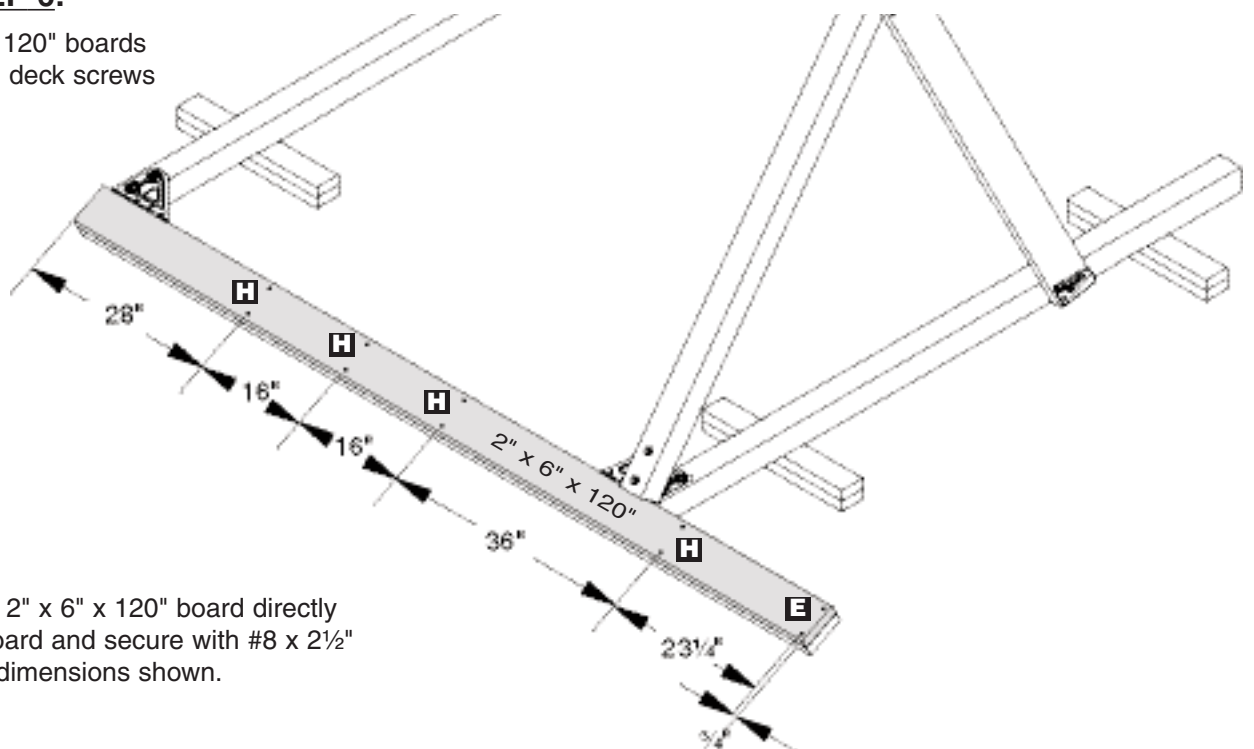


Lay out the Single 4" x 4" Assembly and Step 4 Assembly 90" apart, elevated on 3" of scrap lumber. Position one 2" x 6" x 120" board under brackets as shown. Making sure the assembly is square, hold board tight against bolts installed in Step 2 and attach with #8 x 1 1/4" deck screws.

Again use the brackets as a drill guide and drill 3/8" holes completely through the 2" x 6" x 120" board as shown.

Items for STEP 6:

- (1) 2" x 6" x 120" boards
- (10) #8 x 2 1/2" deck screws



Position second 2" x 6" x 120" board directly on top of first board and secure with #8 x 2 1/2" deck screws at dimensions shown.

SEE PAGE 7 FOR HOLE PATTERNS

Items for STEP 7:

- (5) 3/8" x 4" hex bolts
- (10) 3/8" washers
- (5) lock nuts

Lift assembly onto saw horses as shown.

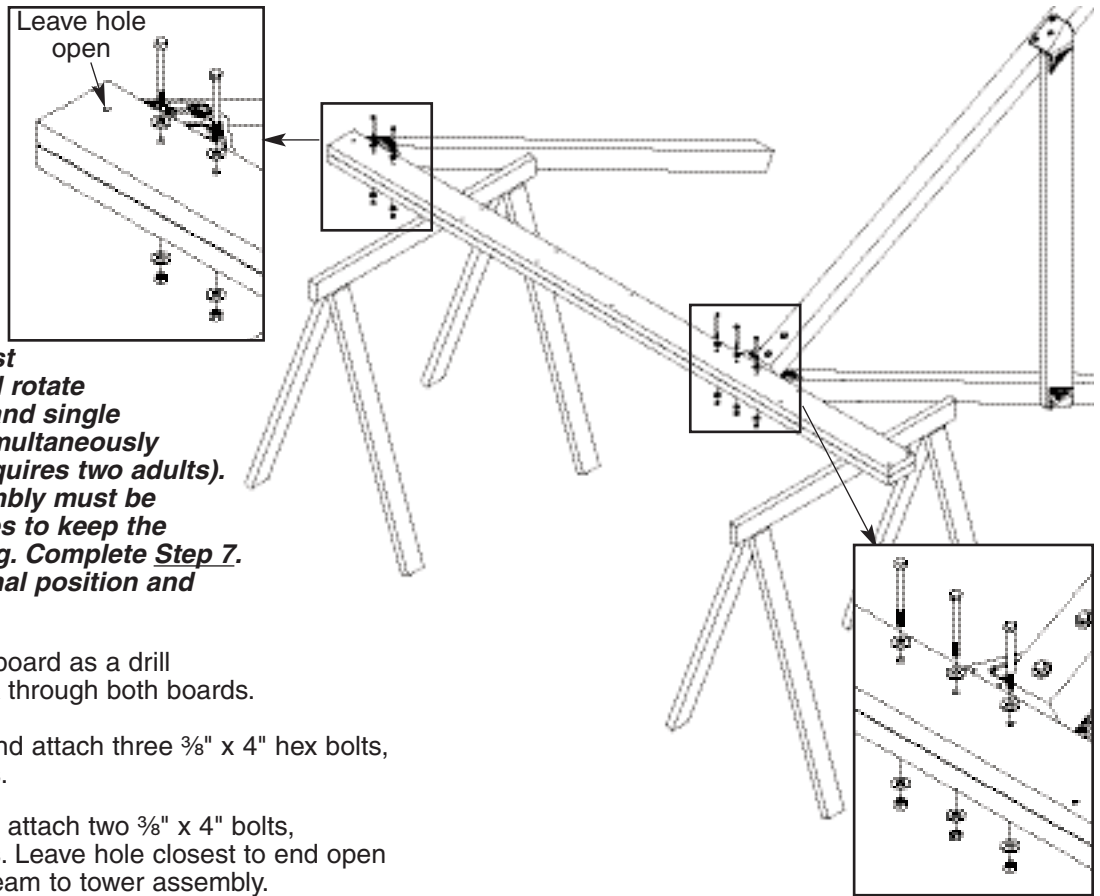
Note: If you do not have saw horses, rest beam on ground and rotate A-Frame Assembly and single 4" x 4" Assembly simultaneously to the other side (requires two adults). Single 4" x 4" Assembly must be supported at all times to keep the bracket from bending. Complete Step 7. Rotate back to original position and proceed with Step 8.

Use the holes in the bottom board as a drill guide and drill 3/8" holes back through both boards.

On the A-Frame Assembly end attach three 3/8" x 4" hex bolts, 3/8" washers and 3/8" lock nuts.

On the 4" x 4" Assembly end attach two 3/8" x 4" bolts, 3/8" washers and 3/8" lock nuts. Leave hole closest to end open as it will be used to attach beam to tower assembly.

Note: Cut off all protruding threaded ends of bolts with a hack saw flush to the end of the nut and remove sharp edges with a metal file.



Items for STEP 8:

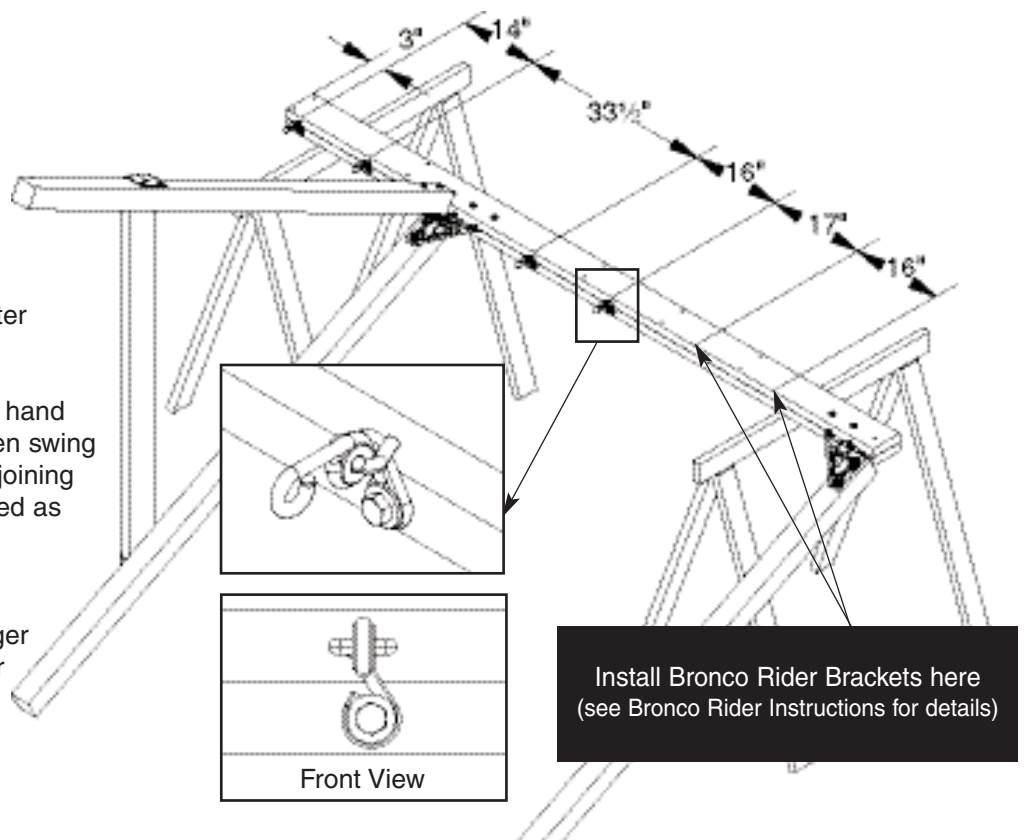
- (4) swing hangers
- (4) 3/8" x 3" lag screws
- (4) 3/8" washers

Mark the top board, on the bottom edge, at the dimensions shown.

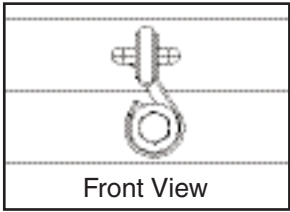
Drill a 1/4" hole 2 1/2" deep in the center of the top board at each location.

Screw swing hangers into board by hand (a long screwdriver will help). Tighten swing hanger until loop is tight against adjoining board and swing hanger is positioned as shown.

Drill another 1/4" hole 2 1/2" deep in adjoining board through swing hanger loop and secure each swing hanger with one 3/8" x 3" lag screw and 3/8" washer.



Install Bronco Rider Brackets here (see Bronco Rider Instructions for details)



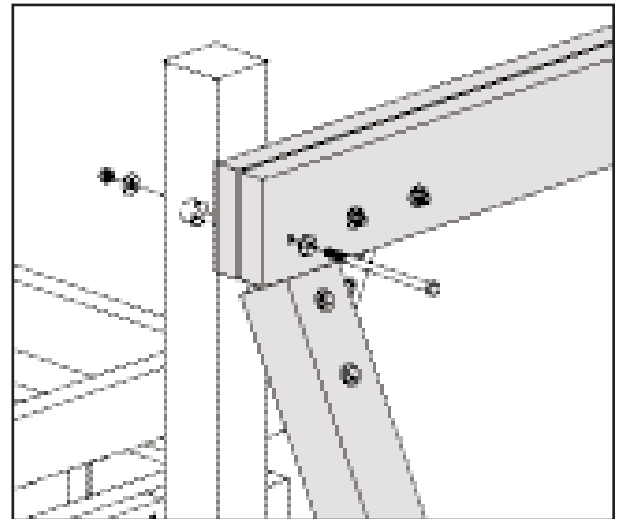
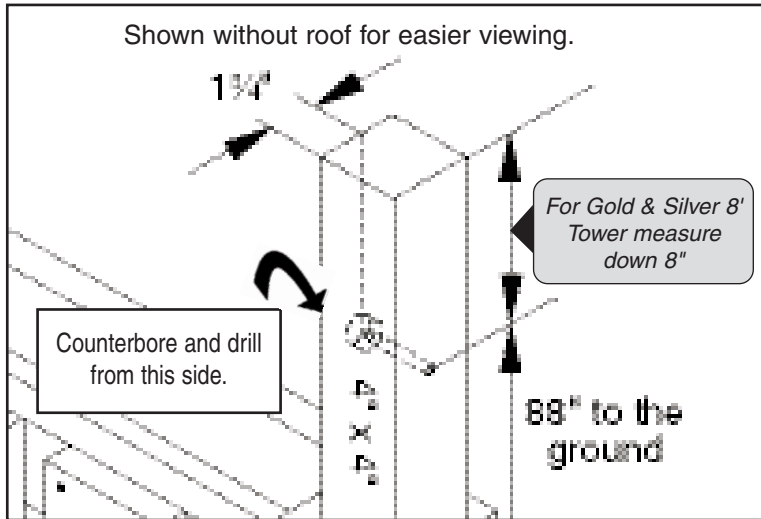
Items for STEP 9:

- (1) 3/8" x 7" hex bolt
- (2) 3/8" washers
- (1) 3/8" lock nut

On the 4" x 4" board of tower assembly where the Swing Station Assembly will be attached, measure and mark hole location (8" down and 1 3/4" from edge) as shown.

Drill a 1 1/8" counterbore 5/8" deep. Drill a 3/8" hole through the center of the counterbore and continue through the remainder of the 4" x 4" board.

Position Swing Station Assembly against tower and secure with one 3/8" x 7" hex bolt, washers and lock nut.

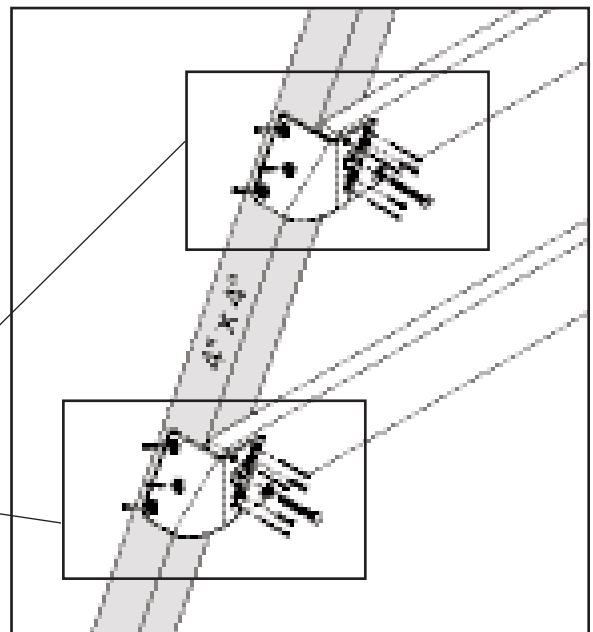
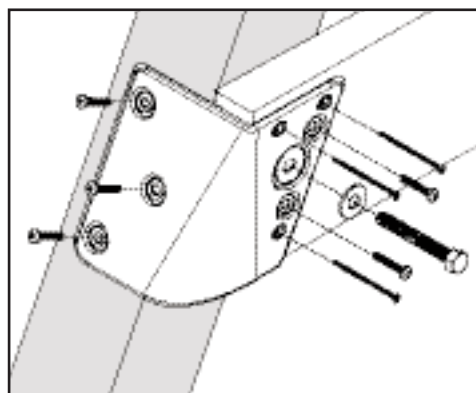


Items for STEP 10:

- (2) Left-hand Sturdy-Frame Connectors
- (10) #14 x 1 1/4" pan head screws
- (6) #8 x 2 1/2" deck screws
- (2) 3/8" x 3" lag screws
- (2) 3/8" washers

Secure the 4" x 4" board to tower with Left-hand Sturdy-Frame Connectors as shown.

Pre-drill –
 1/8" Dia. for #8 x 2 1/2" deck screws
 1/8" Dia. for #14 x 1 1/4" pan head screws
 1/4" Dia. for 3/8" x 3" lag screws



**TURN TO PAGE 70
 FOR STURDY-FRAME BRACE
 INSTALLATION**

CUTTING GUIDE - BRONZE

Before starting to build your Playset, make sure all boards are cut and identified by size. Stack identical size boards in neat piles.

(If you do not want to mark on lumber, use masking tape or chalk.)

This will improve your building time greatly because you will already know the size of each board as the instructions call for them.

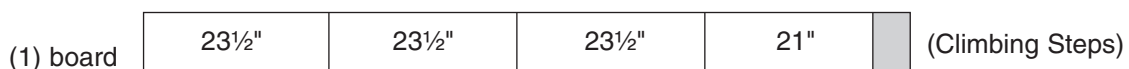
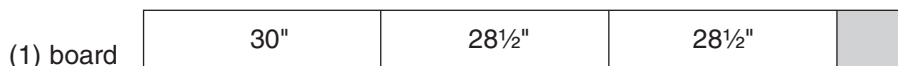
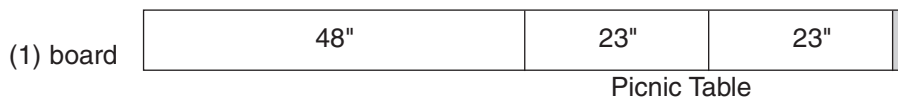
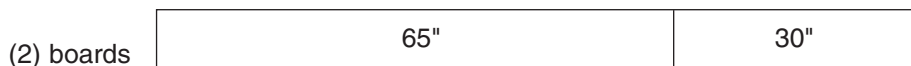
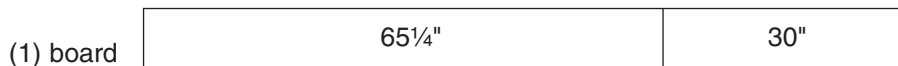
4" x 4" x 8' – thirteen (13) boards required



2" x 6" x 10' – four (4) boards required



2" x 6" x 8' – nine (9) boards required



2" x 4" x 10' – one (1) board required

| | | | | |
|-----------|-----|-----|-----|-----|
| (1) board | 30" | 30" | 30" | 30" |
|-----------|-----|-----|-----|-----|

2" x 4" x 8' – fourteen (14) boards required

| | | |
|------------|-----|-----|
| (2) boards | 48" | 48" |
|------------|-----|-----|

| | | | |
|-----------|------|------|-----|
| (1) board | 38½" | 38½" | 19" |
|-----------|------|------|-----|

| | | | |
|------------|-----|-----|-----|
| (2) boards | 38" | 38" | 20" |
|------------|-----|-----|-----|

| | | | |
|-----------|-----|-----|-----|
| (1) board | 38" | 35" | 23" |
|-----------|-----|-----|-----|

| | | | | |
|-----------|-----|------|------|--|
| (1) board | 35" | 28½" | 28½" | |
|-----------|-----|------|------|--|

| | | | | | |
|------------|------|------|-----|------|--|
| (2) boards | 28½" | 28½" | 23" | 13¼" | |
|------------|------|------|-----|------|--|

| | | | | | |
|-----------|------|-----|-----|------|--|
| (1) board | 28½" | 23" | 23" | 20½" | |
|-----------|------|-----|-----|------|--|

Picnic Table

| | | | | | |
|-----------|-----|-----|-----|-----|--|
| (1) board | 23" | 23" | 23" | 23" | |
|-----------|-----|-----|-----|-----|--|

| | | | | | | |
|-----------|-----|------|------|------|------|--|
| (1) board | 23" | 21½" | 18½" | 18½" | 13¼" | |
|-----------|-----|------|------|------|------|--|

| | | | | | |
|-----------|-----|-----|------|------|--|
| (1) board | 22" | 22" | 21½" | 21½" | |
|-----------|-----|-----|------|------|--|

| | | | | | | |
|-----------|-----|-----|-----|-----|------|--|
| (1) board | 20" | 20" | 20" | 20" | 13¼" | |
|-----------|-----|-----|-----|-----|------|--|

5/4" x 6" x 10' – eleven (11) boards required

(3) boards

| | | | |
|-----|-----|-----|-----|
| 30" | 30" | 30" | 30" |
|-----|-----|-----|-----|

(4) boards

| | | | | |
|------|------|------|------|--|
| 28½" | 28½" | 28½" | 28½" | |
|------|------|------|------|--|

(1) board

| | | | | |
|-----|-----|------|------|--|
| 30" | 30" | 28½" | 28½" | |
|-----|-----|------|------|--|

(1) board

| | | | | |
|------|-----|-----|-----|-----|
| 28½" | 24" | 23" | 22" | 22" |
|------|-----|-----|-----|-----|

(2) boards

| | | | | | |
|-----|-----|-----|-----|-----|--|
| 24" | 24" | 24" | 23" | 22" | |
|-----|-----|-----|-----|-----|--|

5/4" x 6" x 8' – five (5) boards required

(4) boards

| | |
|-----|-----|
| 48" | 48" |
|-----|-----|

(1) board

| | | | |
|-----|-----|-----|-----|
| 24" | 24" | 24" | 23" |
|-----|-----|-----|-----|

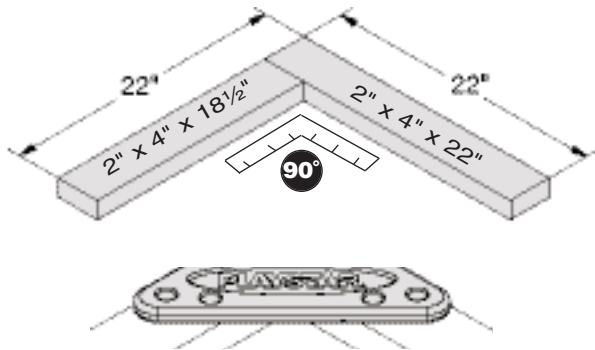
Front Tower Roof Assembly - BRONZE

Items for STEP 1:

- (2) 2" x 4" x 22" boards
- (2) 2" x 4" x 18½" boards
- (2) Roof Caps
- (12) #14 x 1¼" pan head screws

On a flat surface position boards together as shown. Keep boards square while attaching roof cap to boards with #14 x 1¼" pan head screws.

Repeat for second assembly.



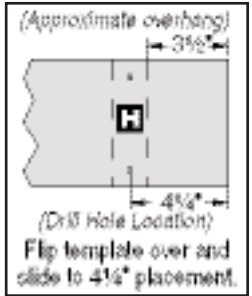
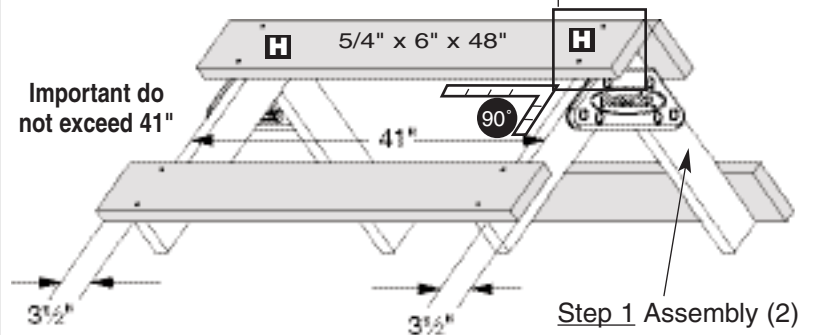
Items for STEP 2:

- (2) Step 1 Assemblies
- (4) 5/4" x 6" x 48" boards
- (16) #8 x 2½" deck screws

Hold assemblies 41" apart. Position boards flush at the top and bottom as shown.

Keep boards square and secure with #8 x 2½" deck screws.

Repeat for other side.



SEE PAGE 7 FOR HOLE PATTERNS

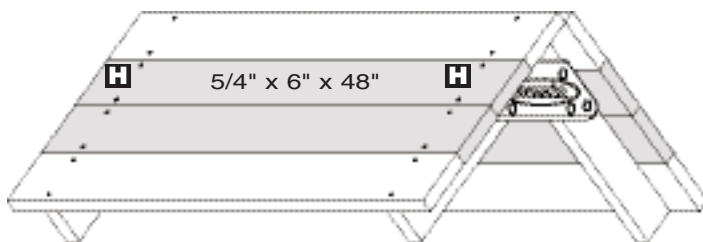
Items for STEP 3:

- (4) 5/4" x 6" x 48" boards
- (16) #8 x 2½" deck screws

Start at the top and attach boards between top and bottom boards as shown. Secure with #8 x 2½" deck screws.

Note: If the last board doesn't fit because the boards are oversized, remove the bottom board and reattach.

Repeat for other side.

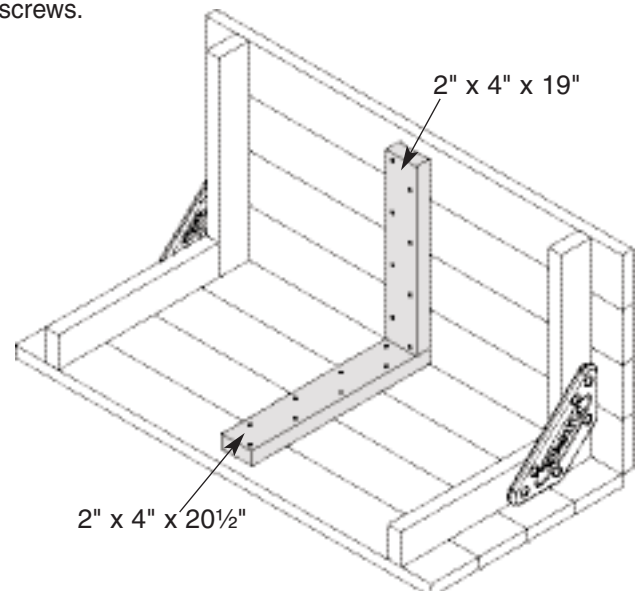


Items for STEP 4:

- (1) 2" x 4" x 20½" board
- (1) 2" x 4" x 19" board
- (16) #8 x 2½" deck screws

From the underside of roof assembly, place 2" x 4" x 20½" board flat against roof assembly centered as shown. Secure with two #8 x 2½" deck screws per each roof board.

Place 2" x 4" x 19" board flat against roof assembly and the 2" x 4" x 20½" board. Secure with #8 x 2½" deck screws.



SEE PAGE 7 FOR HOLE PATTERNS

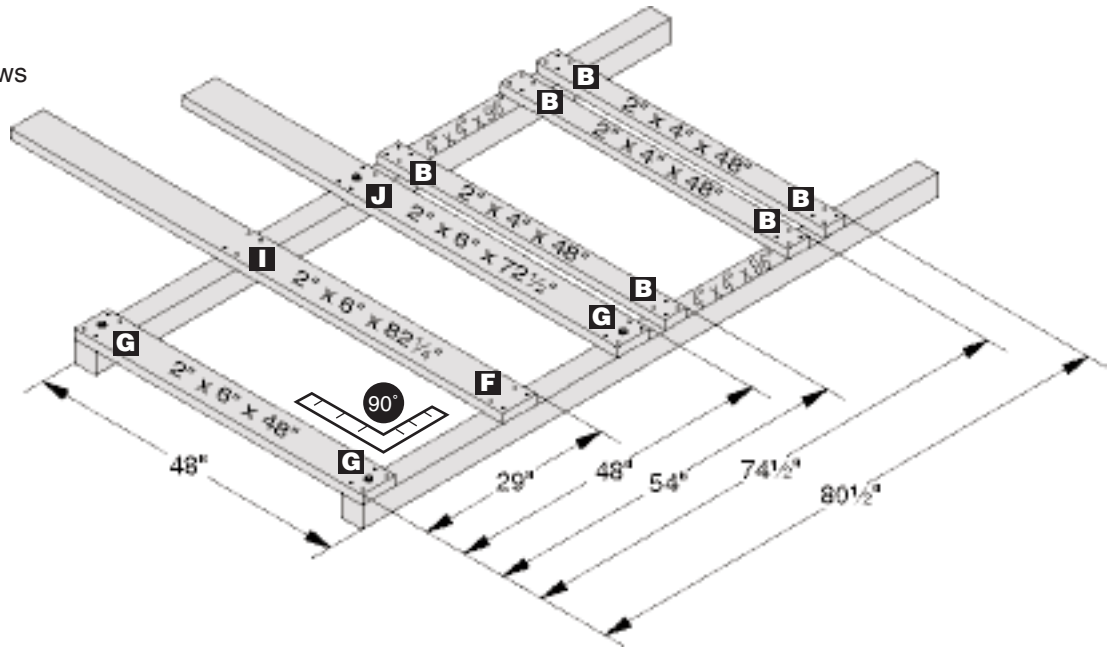
FRONT TOWER ASSEMBLY - BRONZE

Items for STEP 1:

- (2) 4" x 4" x 96" boards
- (1) 2" x 6" x 82½" board
- (1) 2" x 6" x 72½" board
- (1) 2" x 6" x 48" board
- (3) 2" x 4" x 48" boards
- (4) ⅜" x 3" lag screws
- (4) ⅜" washers
- (48) #8 x 2½" deck screws

On a flat surface position boards at dimensions shown. Keep assembly square while securing with #8 x 2½" deck screws.

Install ⅜" x 3" lag screws with ⅜" washers at **G** and **J**.



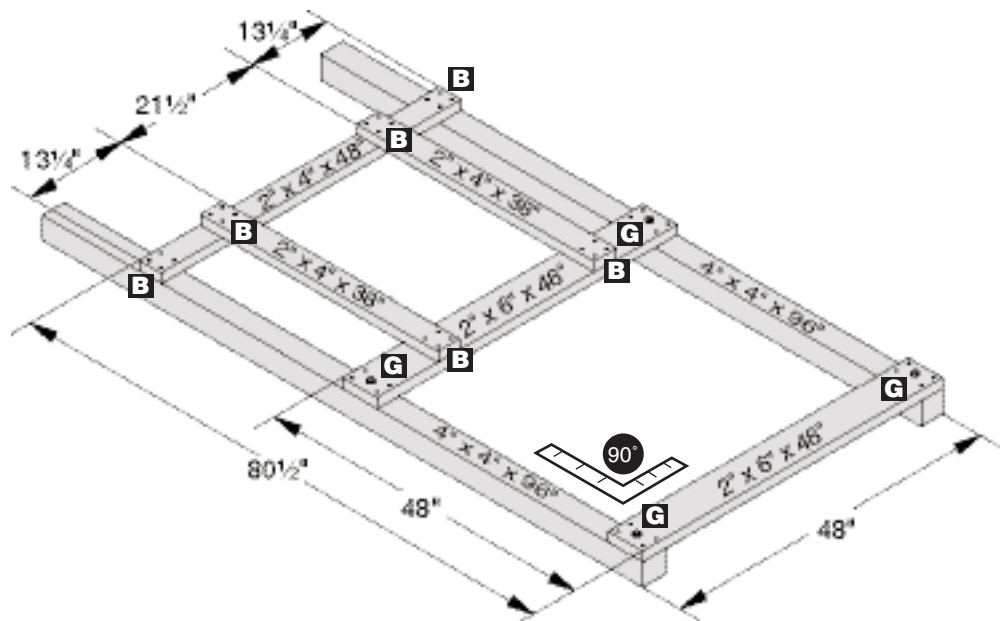
SEE PAGES 6 & 7 FOR
HOLE PATTERNS

Items for STEP 2:

- (2) 4" x 4" x 96" boards
- (2) 2" x 6" x 48" boards
- (1) 2" x 4" x 48" board
- (2) 2" x 4" x 38" boards
- (4) ⅜" x 3" lag screws
- (4) ⅜" washers
- (40) #8 x 2½" deck screws

On a flat surface position boards at dimensions shown. Keep assembly square while securing with #8 x 2½" deck screws.

Install ⅜" x 3" lag screws with ⅜" washers at **G**.



SEE PAGES 6 & 7 FOR
HOLE PATTERNS

Items for STEP 3:

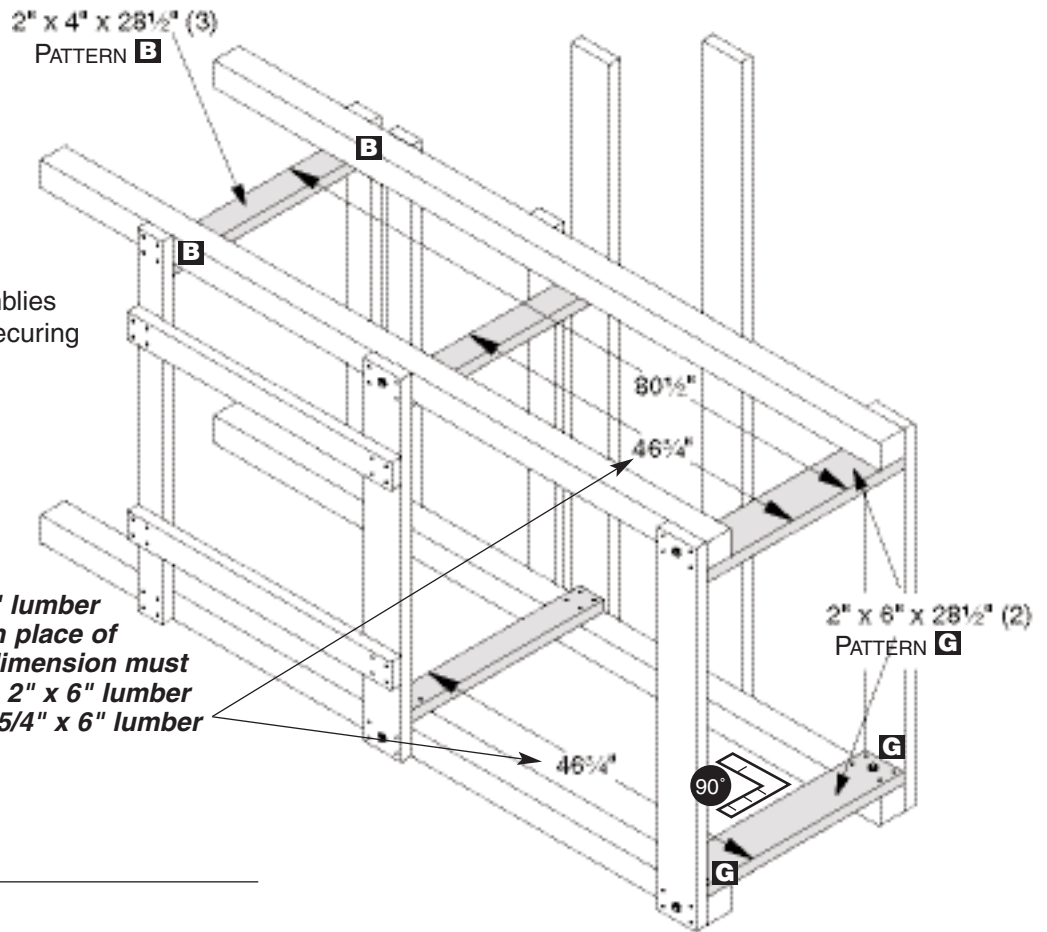
- (2) 2" x 6" x 28½" boards
- (3) 2" x 4" x 28½" boards
- (4) ⅜" x 3" lag screws
- (4) ⅜" washers
- (40) #8 x 2½" deck screws

Position boards between assemblies as shown. Keep square while securing with #8 x 2½" deck screws.

Install ⅜" x 3" lag screws with ⅜" washers at **G**.

Note: If you are using 2" x 6" lumber for your deck boards in place of 5/4" x 6" lumber, this dimension must be 46½". The reason is 2" x 6" lumber is ¼" thicker than the 5/4" x 6" lumber called for in this plan.

SEE PAGE 6 FOR HOLE PATTERNS



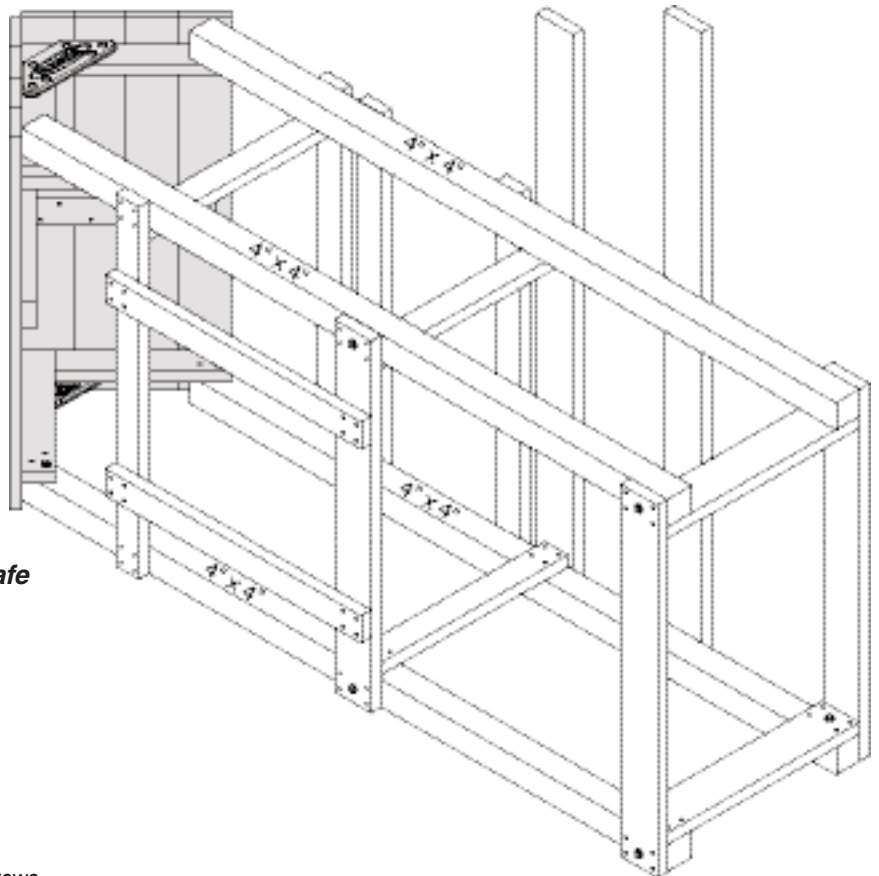
Items for STEP 4:

- (1) Roof Assembly
- (4) ⅜" x 3" lag screws
- (4) ⅜" washers
- (8) #8 x 2½" deck screws

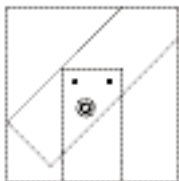
Position roof assembly so both sides of roof overhang 4" x 4" boards equally. Secure each corner with two #8 x 2½" deck screws and one ⅜" x 3" lag screw with ⅜" washer. (See below for detail of screw placement.)

Lift tower assembly upright and position in desired location.

Caution: Ground must be level. Installation on a hill or incline will create unsafe conditions.



Detail of Screw Placement



*Predrill –
1/8" Dia. for #8 x 2½" deck screws
1/4" Dia. for ⅜" x 3" lag screws*

Items for **STEP 5:**

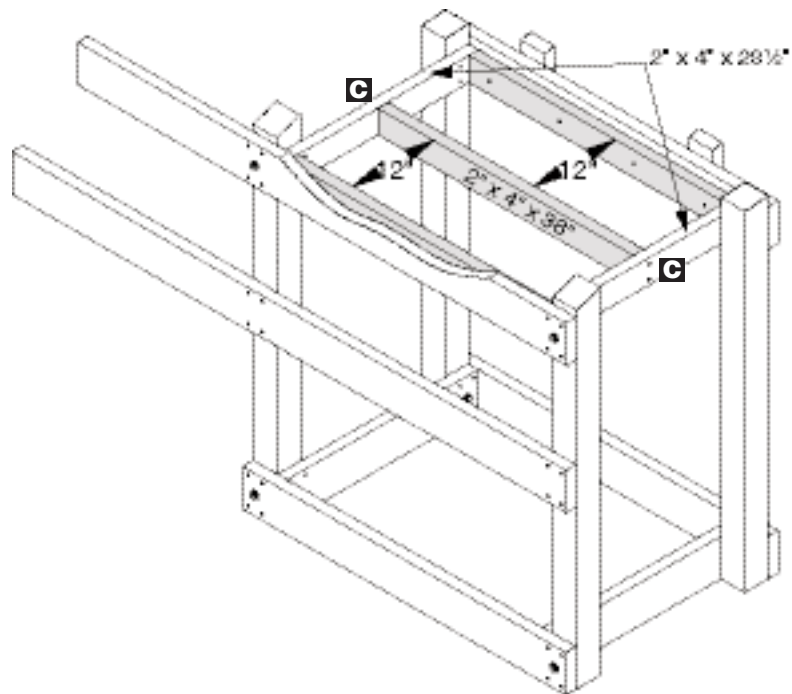
- (3) 2" x 4" x 38" boards
- (12) #8 x 2½" deck screws

Shown without top of tower for easier viewing.

Position boards flush with the top of the 2" x 4" x 28½" boards.

Secure the two outside boards with four #8 x 2½" deck screws evenly spaced.

Secure center board with #8 x 2½" deck screws.



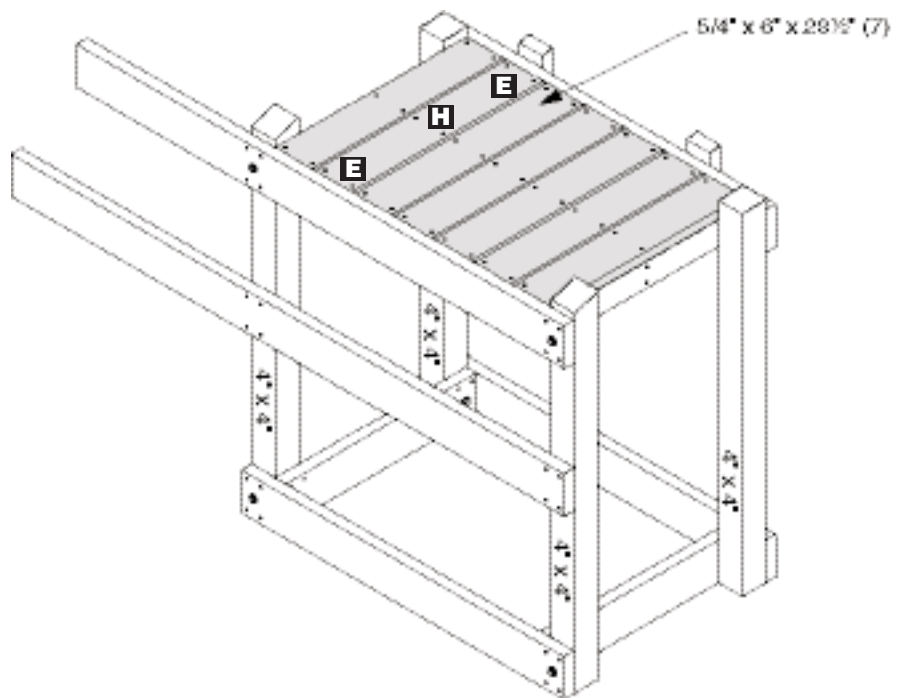
**SEE PAGE 6 FOR
HOLE PATTERNS**

Items for **STEP 6:**

- (7) 5/4" x 6" x 28½" boards
- (42) #8 x 2½" deck screws

Position outside boards tight against the 4" x 4" boards and equally space remaining boards as shown. Secure with #8 x 2½" deck screws.

Caution: *Gap between boards must be smaller than ¼" or larger than ½" or a finger entrapment could exist.*



**SEE PAGE 7 FOR
HOLE PATTERNS**



If you purchased the optional **Adventure Tunnel Kit (PS 8876)**, it must be installed now. Follow the building instructions included with the **Adventure Tunnel Kit**. Then continue with these instructions.
If you are not installing the Adventure Tunnel Kit, proceed with these instructions.

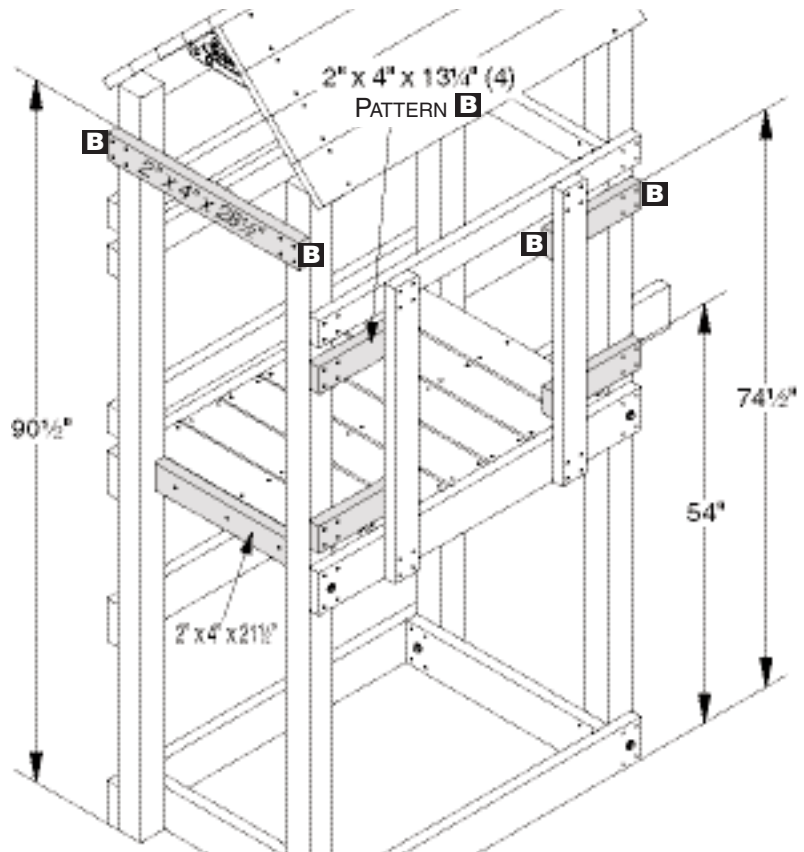
Items for **STEP 7:**

- (1) 2" x 4" x 28½" board
- (1) 2" x 4" x 21½" board
- (4) 2" x 4" x 13¼" boards
- (43) #8 x 2½" deck screws

Position boards at dimensions shown. Secure with #8 x 2½" deck screws.

Position 2" x 4" x 21½" board flush with top of deck. Secure with three #8 x 2½" deck screws evenly spaced.

SEE PAGE 6 FOR HOLE PATTERNS



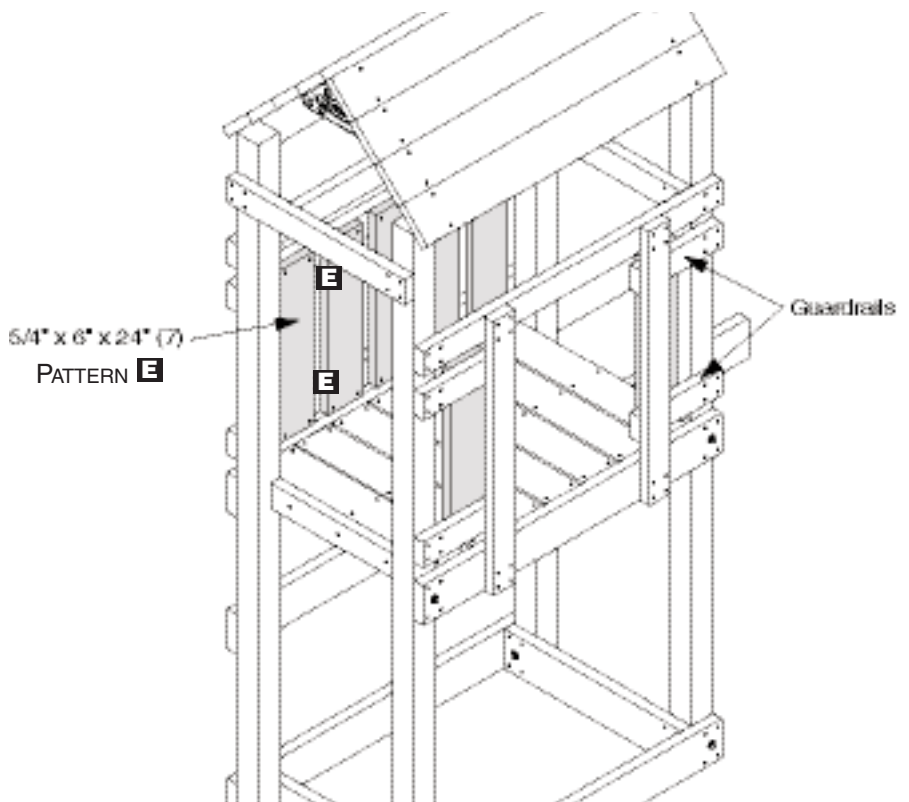
Items for **STEP 8:**

- (7) 5/4" x 6" x 24" boards
- (28) #8 x 2½" deck screws

Position boards on the inside of tower flush with the top and bottom of guardrail boards and equally spaced as shown. Secure with #8 x 2½" deck screws.

Caution: Gap between boards must not exceed 3½" or a head entrapment could exist.

SEE PAGE 7 FOR HOLE PATTERNS



Items for STEP 9:

- (8) 5/4" x 6" x 28½" boards
- (64) #8 x 2½" deck screws

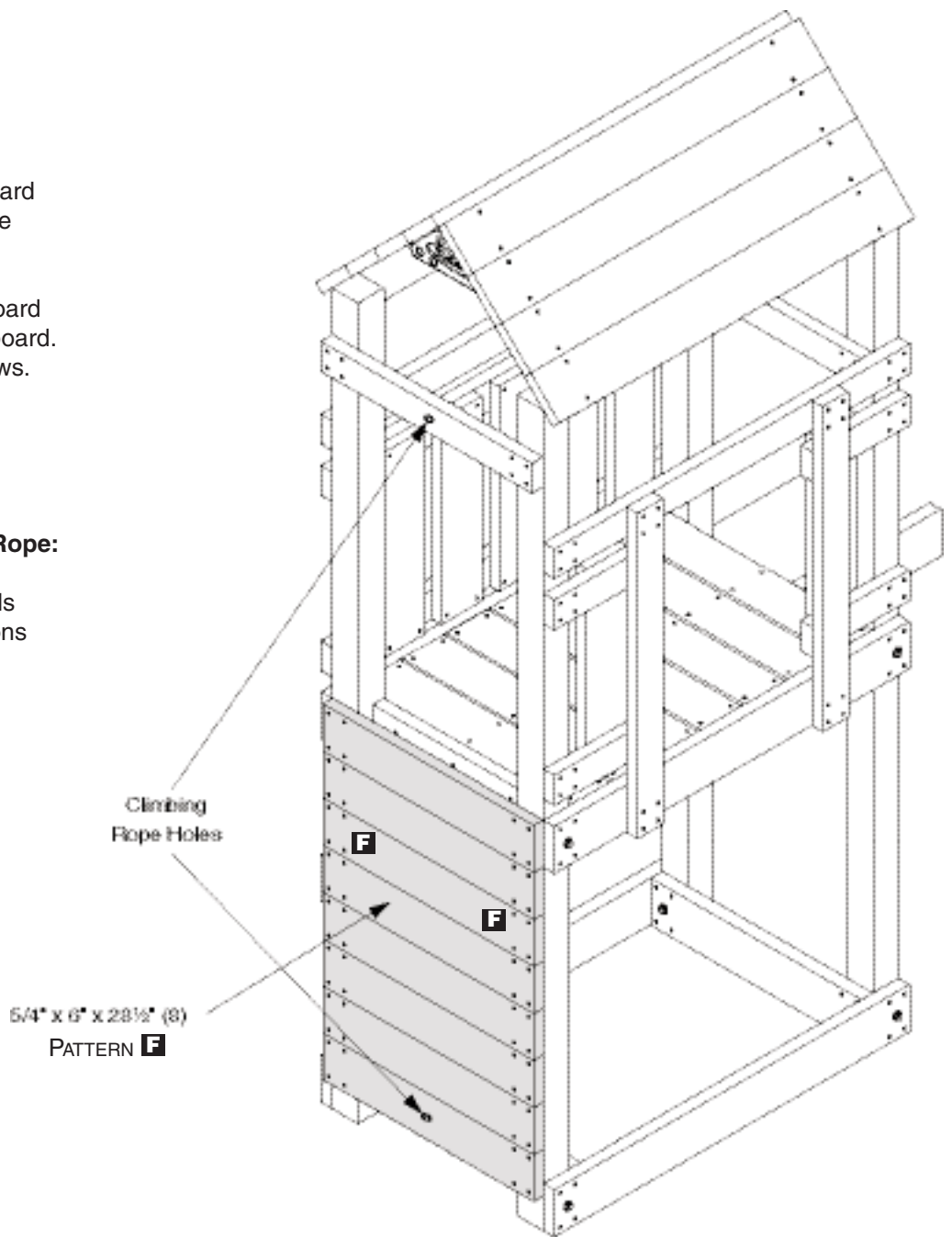
Position first 5/4" x 6" x 28½" board flush with the top of deck. Secure with #8 x 2½" deck screws.

Position next 5/4" x 6" x 28½" board tight against the bottom of first board. Secure with #8 x 2½" deck screws.

Repeat for remaining boards.

Hole placement for Climbing Rope:

Drill a ¾" hole in center of boards shown. Install rope per instructions on Page 76.



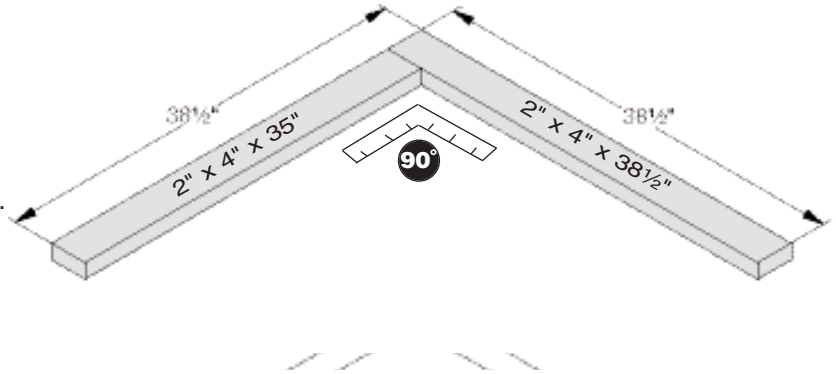
**SEE PAGE 7 FOR
HOLE PATTERNS**

Back Tower Roof Assembly - BRONZE

Items for STEP 1:

- (2) 2" x 4" x 38½" boards
- (2) 2" x 4" x 35" boards
- (2) Roof Caps
- (12) #14 x 1¼" pan head screws

On a flat surface position boards together as shown. Position roof cap flush with outside edges. Use roof cap as a drill guide and drill ⅛" holes 1" deep. Keep boards square while attaching roof cap to boards with #14 x 1¼" pan head screws.



Repeat for second assembly.

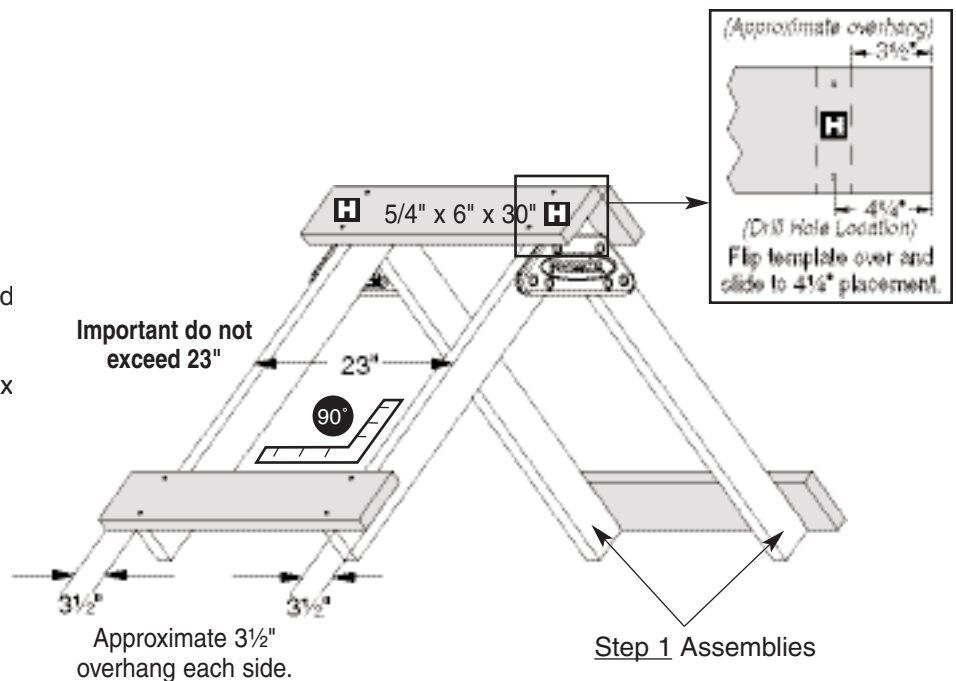
Items for STEP 2:

- (2) Step 1 Assemblies
- (4) 5/4" x 6" x 30" boards
- (16) #8 x 2½" deck screws

Hold assemblies 23" apart. Position board flush at the top and bottom as shown.

Keep boards square and secure with #8 x 2½" deck screws.

Repeat for other side.



SEE PAGE 7 FOR
HOLE PATTERNS

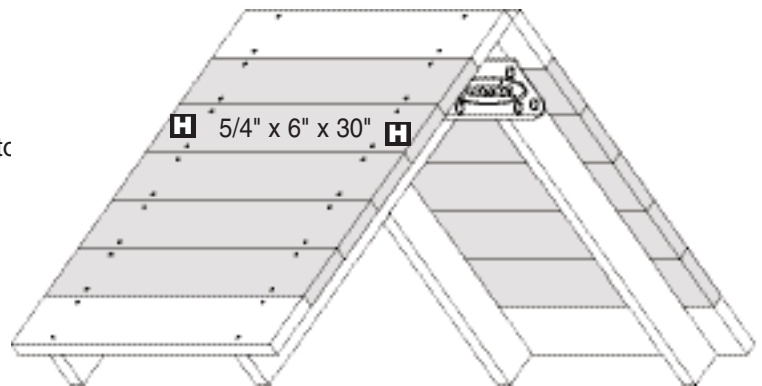
Items for STEP 3:

- (10) 5/4" x 6" x 30" boards
- (40) #8 x 2½" deck screws

Start at the top and attach boards between top and bottom boards as shown. Secure with #8 x 2½" deck screws.

Note: If the last board doesn't fit because the boards are oversized, remove the bottom board and reattach.

Repeat for other side.



SEE PAGE 7 FOR
HOLE PATTERNS

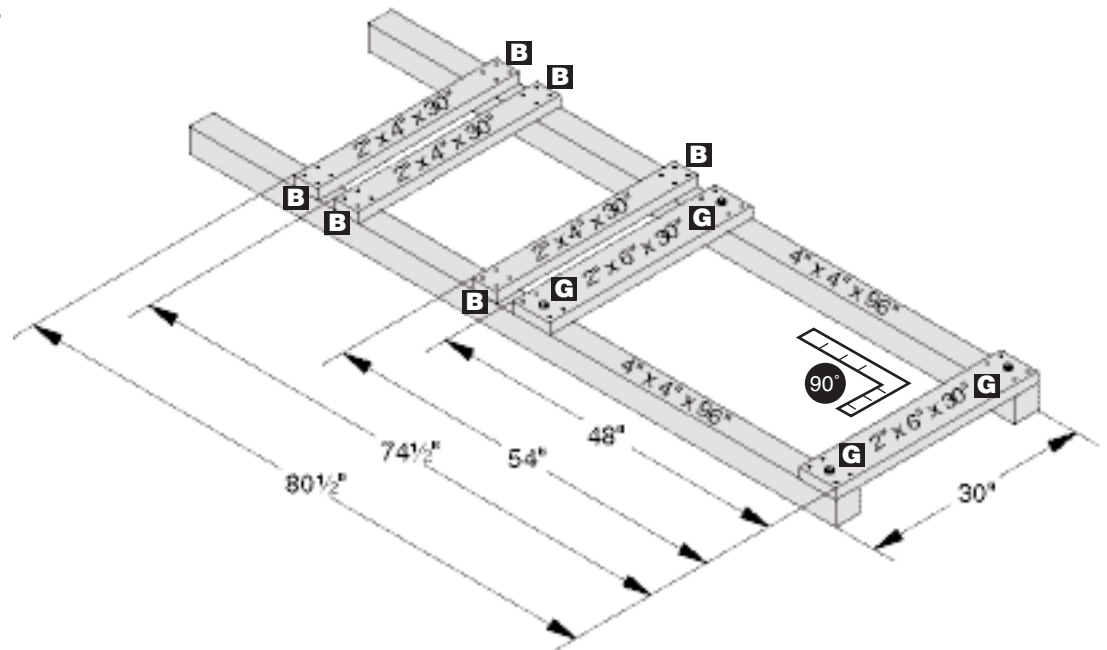
BACK TOWER ASSEMBLY - BRONZE

Items for STEP 1:

- (2) 4" x 4" x 96" boards
- (2) 2" x 6" x 30" boards
- (3) 2" x 4" x 30" boards
- (4) $\frac{3}{8}$ " x 3" lag screws
- (4) $\frac{3}{8}$ " washers
- (40) #8 x 2 $\frac{1}{2}$ " deck screws

On a flat surface position boards at dimensions shown. Keep assembly square while securing with #8 x 2 $\frac{1}{2}$ " deck screws.

Install $\frac{3}{8}$ " x 3" lag screws with $\frac{3}{8}$ " washers at **G**.



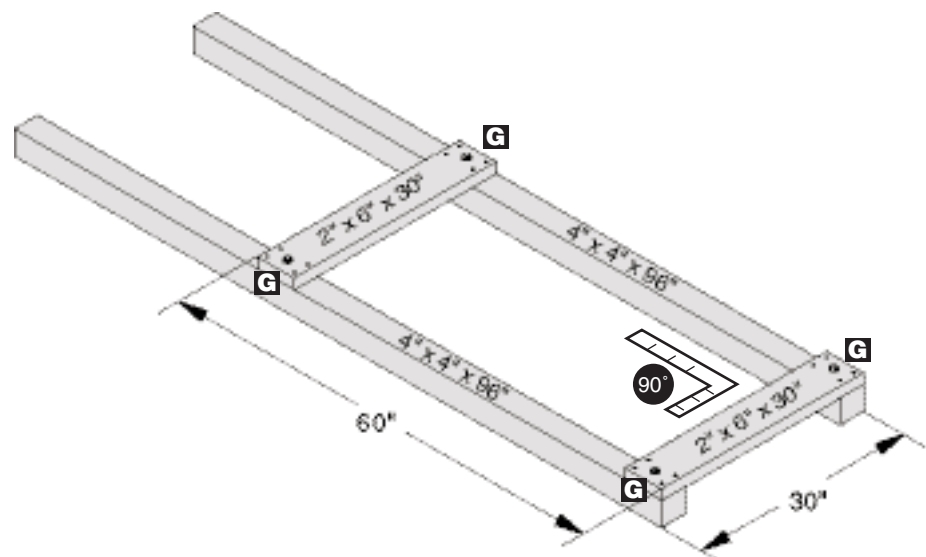
SEE PAGES 6 & 7 FOR
HOLE PATTERNS

Items for STEP 2:

- (2) 4" x 4" x 96" boards
- (2) 2" x 6" x 30" boards
- (4) $\frac{3}{8}$ " x 3" lag screws
- (4) $\frac{3}{8}$ " washers
- (16) #8 x 2 $\frac{1}{2}$ " deck screws

On a flat surface position boards at dimensions shown. Keep assembly square while securing with #8 x 2 $\frac{1}{2}$ " deck screws.

Install $\frac{3}{8}$ " x 3" lag screws with $\frac{3}{8}$ " washers at **G**.



SEE PAGE 7 FOR
HOLE PATTERNS

Items for STEP 3:

- (1) Roof Assembly
- (2) 2" x 6" x 48" boards
- (8) 3/8" x 3" lag screws
- (8) 3/8" washers
- (24) #8 x 2 1/2" deck screws

Position 2" x 6" x 48" boards between assemblies as shown. Keep square while securing with #8 x 2 1/2" deck screws.

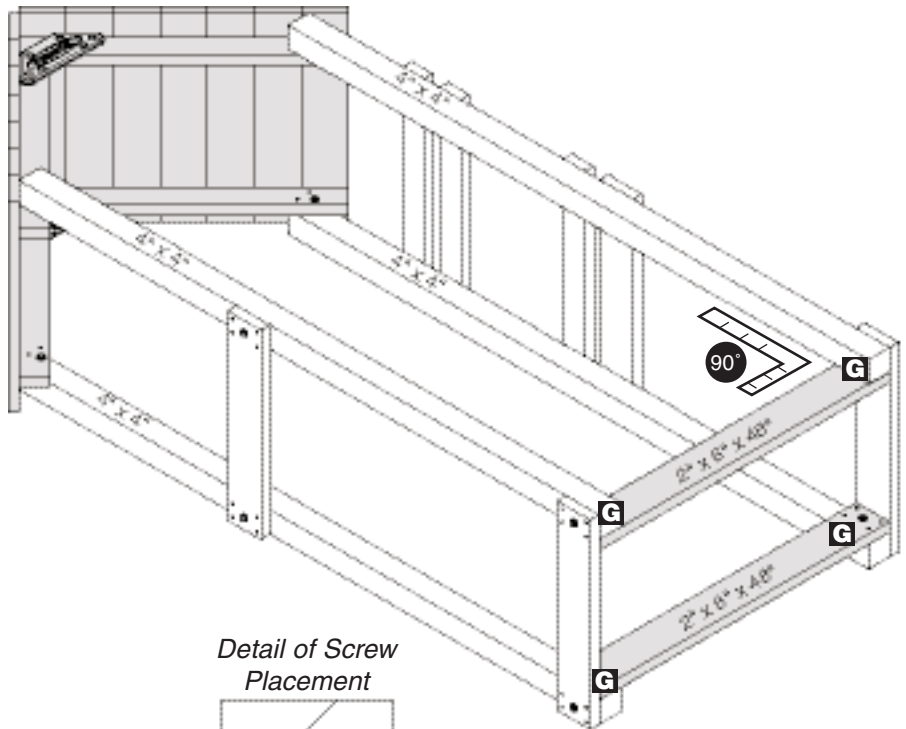
Install 3/8" x 3" lag screws with 3/8" washers at **G**.

Position roof assembly so both sides of roof overhang 4" x 4" boards equally. Secure each corner with two #8 x 2 1/2" deck screws and one 3/8" x 3" lag screw with 3/8" washer. (See below for detail of screw placement.)

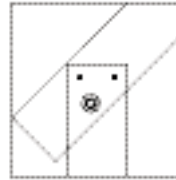
Lift tower assembly upright and position in desired location.

Caution: *Ground must be level. Installation on a hill or incline will create unsafe conditions.*

SEE PAGE 7 FOR HOLE PATTERNS



Detail of Screw Placement

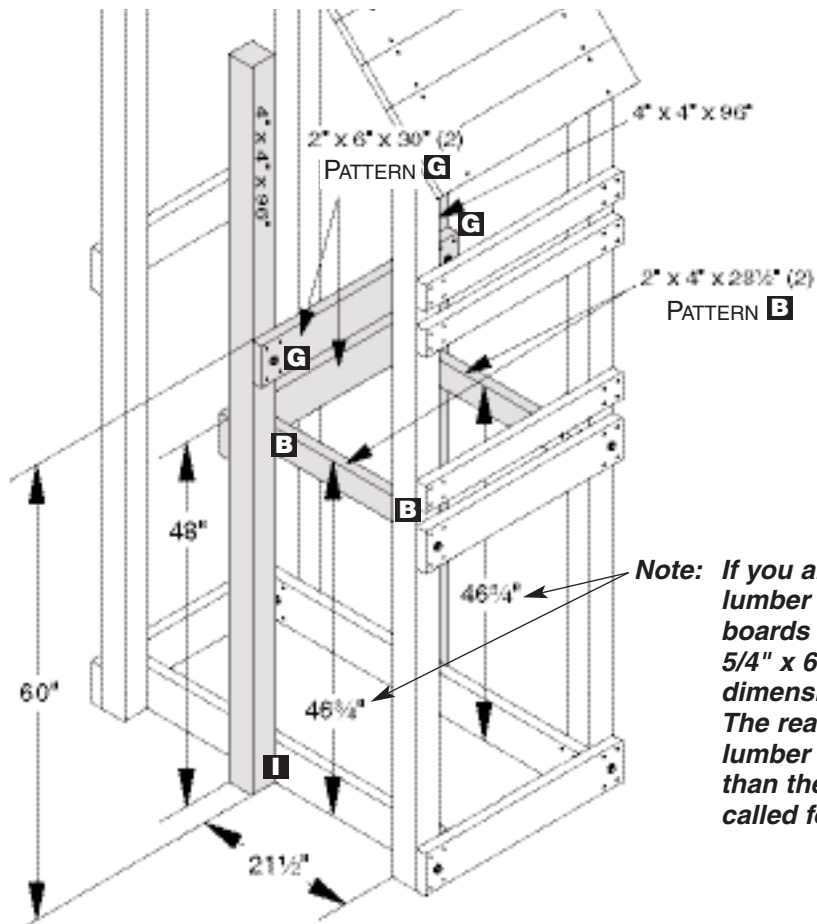


*Predrill –
1/8" Dia. for #8 x 2 1/2" deck screws
1/4" Dia. for 3/8" x 3" lag screws*

Items for STEP 4:

- (2) 4" x 4" x 96" boards
- (2) 2" x 6" x 30" boards
- (2) 2" x 4" x 28 1/2" board
- (4) 3/8" x 3" lag screws
- (4) 3/8" washers
- (40) #8 x 2 1/2" deck screws

Position boards at dimensions shown. Secure with #8 x 2 1/2" deck screws.



Note: *If you are using 2" x 6" lumber for your deck boards in place of 5/4" x 6" lumber, this dimension must be 46 1/2". The reason is 2" x 6" lumber is 1/4" thicker than the 5/4" x 6" lumber called for in this plan.*

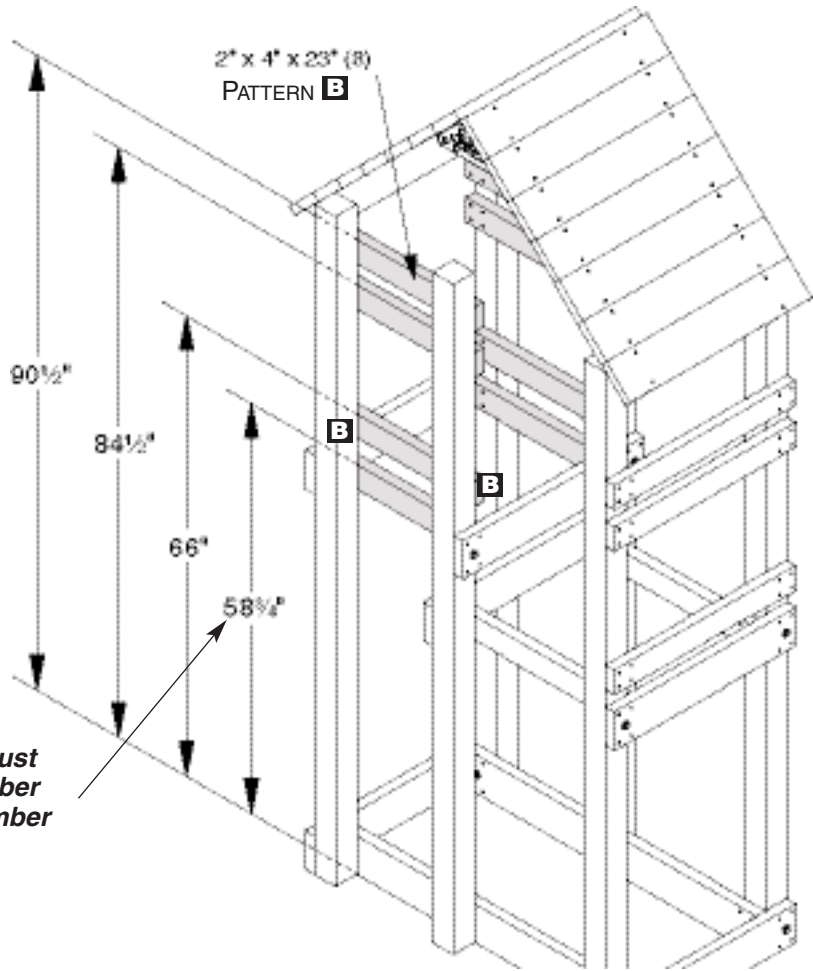
SEE PAGES 6 & 7 FOR HOLE PATTERNS

Items for STEP 5:

- (8) 2" x 4" x 23" boards
- (64) #8 x 2½" deck screws

Position boards at dimensions shown. Secure with #8 x 2½" deck screws.

Note: If you are using 2" x 6" lumber for your deck boards in place of 5/4" x 6" lumber, this dimension must be 58½". The reason is 2" x 6" lumber is ¼" thicker than the 5/4" x 6" lumber called for in this plan.



SEE PAGE 6 FOR HOLE PATTERNS

Items for STEP 6:

- (1) 2" x 4" x 30" board
- (6) 2" x 4" x 20" boards
- (28) #8 x 2½" deck screws

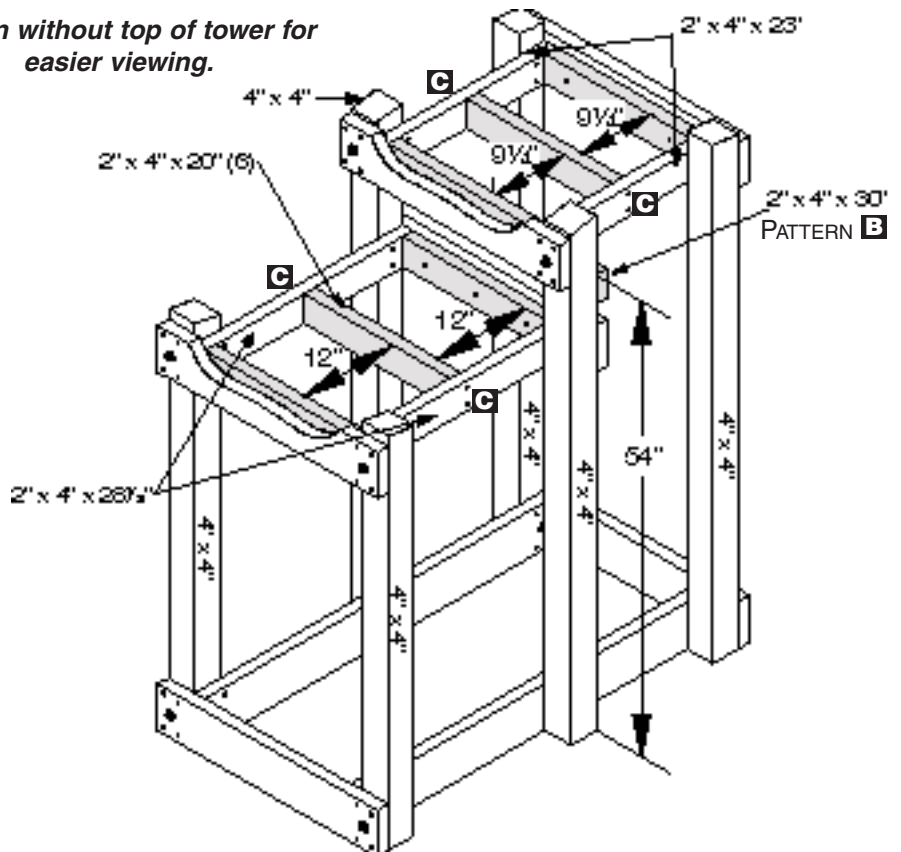
Position 2" x 4" x 20" boards flush with the top of the 2" x 4" boards.

Secure the two outside boards with three #8 x 2½" deck screws evenly spaced.

Secure center boards with #8 x 2½" deck screws.

Position 2" x 4" x 30" board at dimension shown. Secure with #8 x 2½" deck screws Pattern B.

Shown without top of tower for easier viewing.



SEE PAGE 6 FOR HOLE PATTERNS

Items for **STEP 7:**

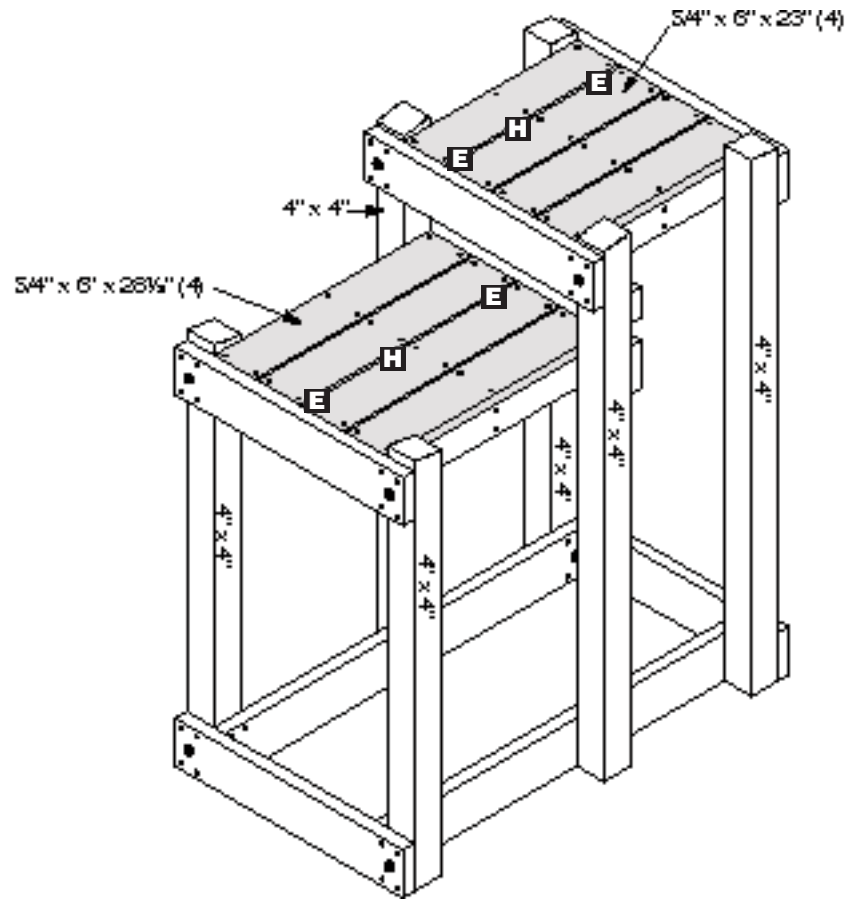
- (4) 5/4" x 6" x 28½" boards
- (4) 5/4" x 6" x 23" boards
- (48) #8 x 2½" deck screws

Position outside 5/4" x 6" x 28½" boards tight against the 4" x 4" boards and equally space inside 5/4" x 6" x 28½" boards as shown. Secure with #8 x 2½" deck screws.

Position outside 5/4" x 6" x 23" boards tight against the 4" x 4" boards and equally space inside 5/4" x 6" x 23" boards as shown. Secure with #8 x 2½" deck screws.

Caution: *Gap between boards must be smaller than ¼" or larger than ½" or a finger entrapment could exist.*

SEE PAGE 7 FOR HOLE PATTERNS



Items for **STEP 8:**

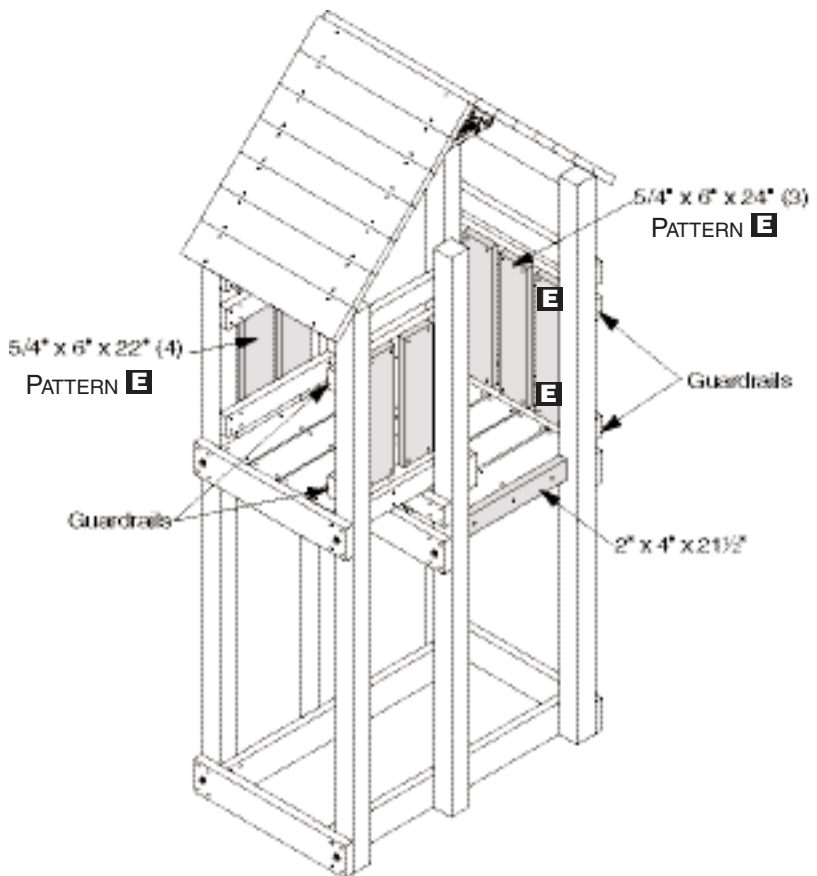
- (3) 5/4" x 6" x 24" boards
- (4) 5/4" x 6" x 22" boards
- (1) 2" x 4" x 21½" board
- (31) #8 x 2½" deck screws

Position 5/4" x 6" x 24" boards on the inside and 5/4" x 6" x 22" boards on the outside of the tower flush with the top and bottom of guardrail boards and equally spaced as shown. Secure with #8 x 2½" deck screws.

Caution: *Gap between boards must not exceed 3½" or a head entrapment could exist.*

Position 2" x 4" x 21½" board flush with top of deck. Secure with three #8 x 2½" deck screws equally spaced.

SEE PAGE 7 FOR HOLE PATTERNS

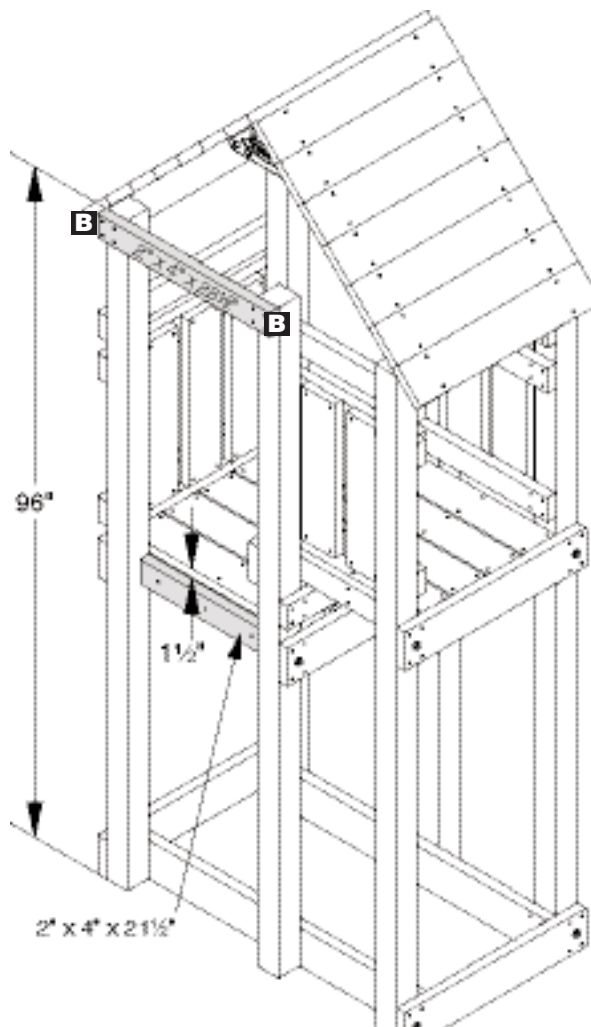


Items for **STEP 9:**

- (1) 2" x 4" x 28½" board
- (1) 2" x 4" x 21½" board
- (11) #8 x 2½" deck screws

Position 2" x 4" x 28½" board at dimension shown. Secure with #8 x 2½" deck screws.

Position 2" x 4" x 21½" board at dimension shown. Secure with three #8 x 2½" deck screws evenly spaced.



**SEE PAGE 6 FOR
HOLE PATTERNS**

Items for **STEP 10:**

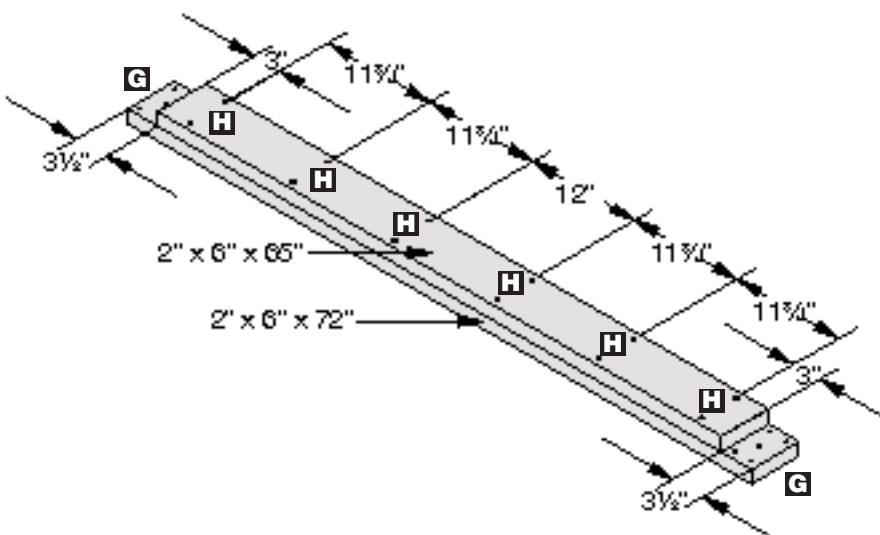
- (2) 2" x 6" x 72" boards
- (2) 2" x 6" x 65" board
- (24) #8 x 2½" deck screws

Drill Pattern **G** on each end of 2" x 6" x 72" board as shown.

Position 2" x 6" x 65" board centered on top of 2" x 6" x 72" board as shown. Secure with #8 x 2½" deck screws.

Repeat for second assembly.

**SEE PAGE 7 FOR
HOLE PATTERNS**



If you purchased the optional Climbing Bar Kit (PS 7766), skip Step 11 and continue with Step 12.

If you are not installing the Climbing Bar Kit, proceed with these instructions.

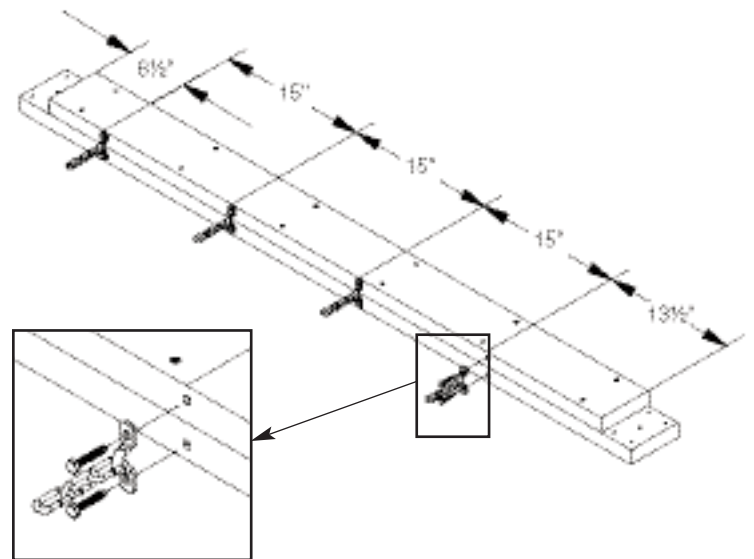
Items for **STEP 11:**

- (8) U-straps
- (8) 3 link chain
- (16) 1/4" x 1 1/2" lag screws

Using a U-strap as a drill guide. Drill two 1/2" deep at dimensions shown. Install chains and secure with 1/4" x 1 1/2" lag screws.

Repeat for second assembly.

Note: Do not connect the monkey ring playset has been properly installed ready for use.



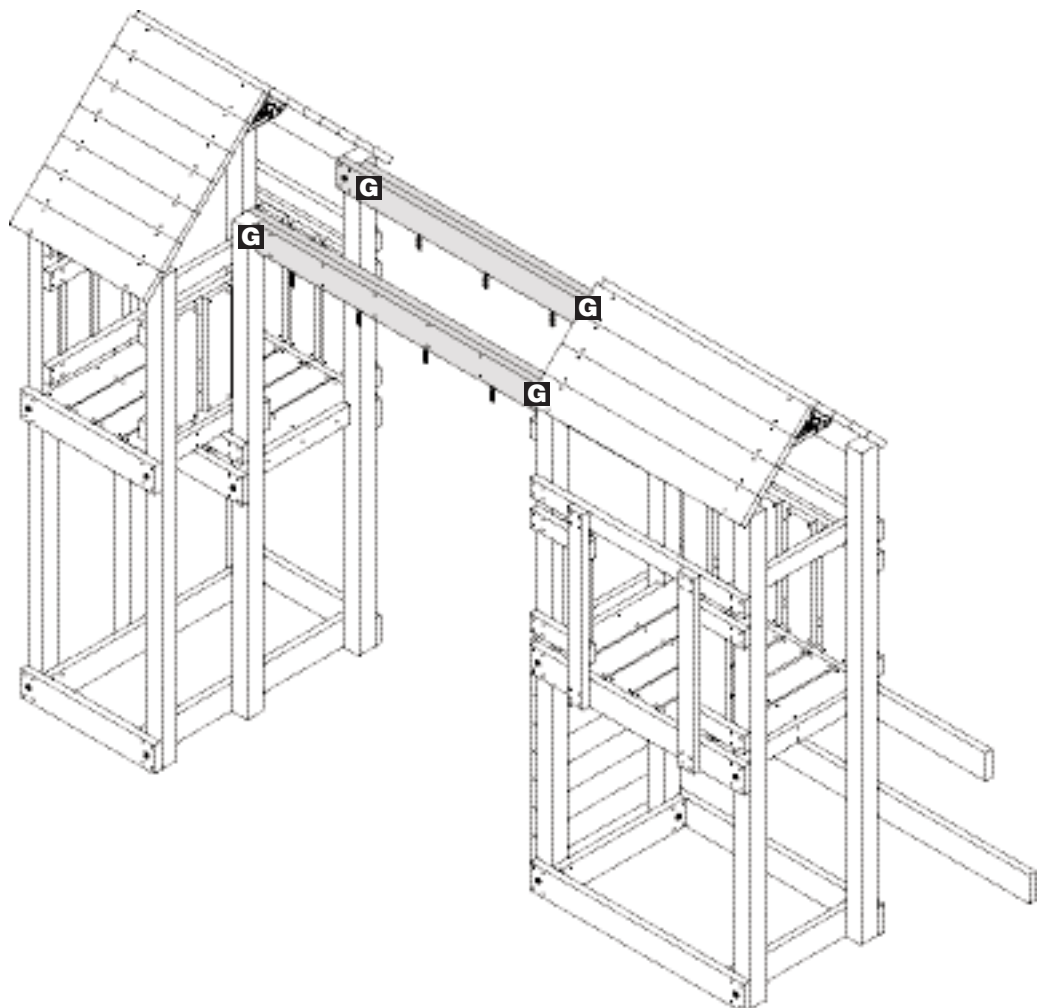
Items for **STEP 12:**

- (2) Step 11 Assemblies
- (4) 3/8" x 3" lag screws
- (4) 3/8" washers
- (16) #8 x 2 1/2" deck screws

Position Towers approximately six feet apart as shown.

Position Step 11 Assemblies as shown.

Secure with #8 x 2 1/2" deck screws and 3/8" x 3" lag screws with washers. PATTERN **G**



**SEE PAGE 7 FOR
HOLE PATTERNS**



You have the option at this step to add the Extend-A-Bay/Swing Station Kit (PS 7664). This Kit allows you to extend your 8' Swing Station to 18' and add three more swing activities of your choice.

However, it must be installed now! During original construction!

Purchase Kit, lumber and additional swing activities separately. Follow the building instructions for Left-hand Swing Station provided with the Extend-A-Bay/Swing Station Kit.

If you are not installing the Extend-A-Bay option, proceed to Step 1 of the 8' Swing Station Assembly below.

8' Swing Station Assembly – Bronze

Items for STEP 1:

- (3) 4" x 4" x 96" boards
- (1) Right-hand Sturdy-Frame Bracket
- (2) Left-hand Sturdy-Frame Brackets
- (6) 3/8" x 4" hex bolts
- (12) 3/8" washers
- (6) 3/8" lock nuts
- (6) #8 x 1 1/4" deck screws

Install one Right-hand (R) and two Left-hand (L) Sturdy-Frame Brackets onto separate 4" x 4" boards. (Brackets are stamped R and L)

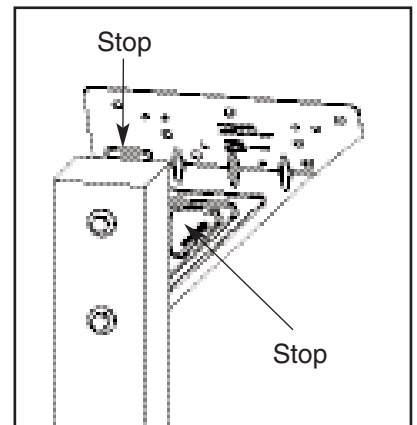
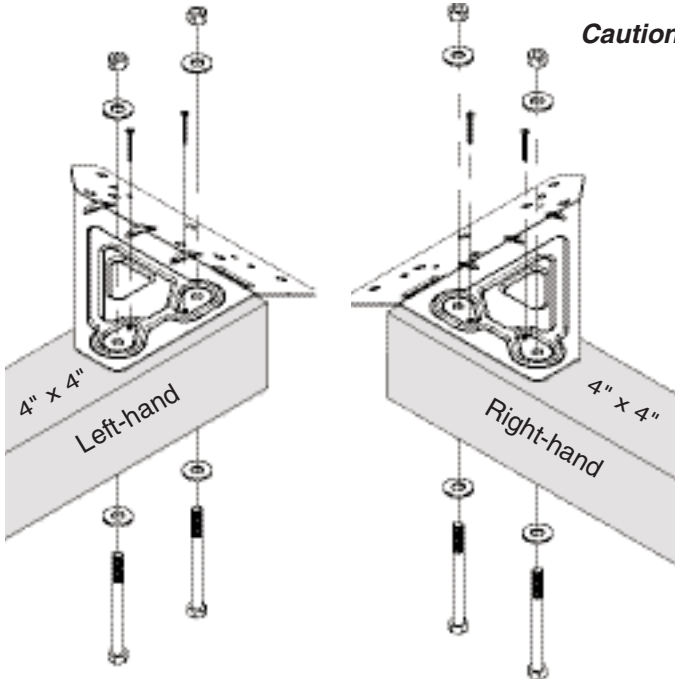
Position bracket flat on a 4" x 4" board as shown. Slide bracket over and down until it stops against the top and the side of the 4" x 4" board. When correctly positioned, the edge of the Sturdy-Frame Bracket will be parallel with the edge of the 4" x 4" board. Attach bracket with #8 x 1 1/4" deck screws.

Using the Sturdy-Frame Bracket as a drill guide, drill two 3/8" holes through the 4" x 4" board. Secure with two 3/8" x 4" hex bolts with washers and lock nuts.

Caution: Make sure bolts are tight and the threads of each bolt are at least flush to the nut to ensure proper engagement.

Note: If your lumber is oversized, counterboring may be required.

Repeat for each assembly.



Rear View of bracket and 4" x 4" showing correct position.

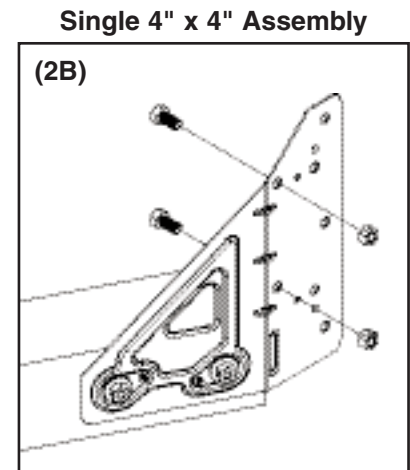
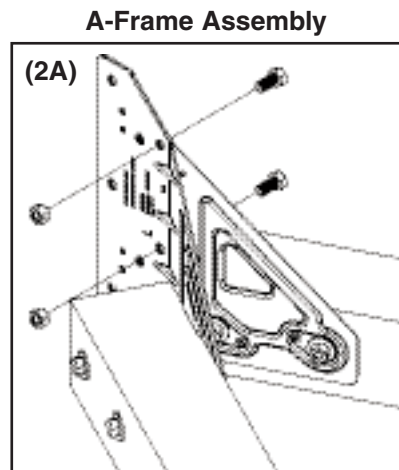
Items for STEP 2:

- (4) 3/8" x 3/4" hex bolts
- (4) 3/8" lock nuts

Mate one Right-hand Bracket Assembly to one Left-hand Bracket Assembly to create A-Frame Assembly. Secure with 3/8" x 3/4" hex bolts and lock nuts (do not use washers). **(2A)**

Place two 3/8" x 3/4" hex bolts and lock nuts through the two lower holes of bracket on single 4" x 4" Assembly (do not use washers). **(2B)**

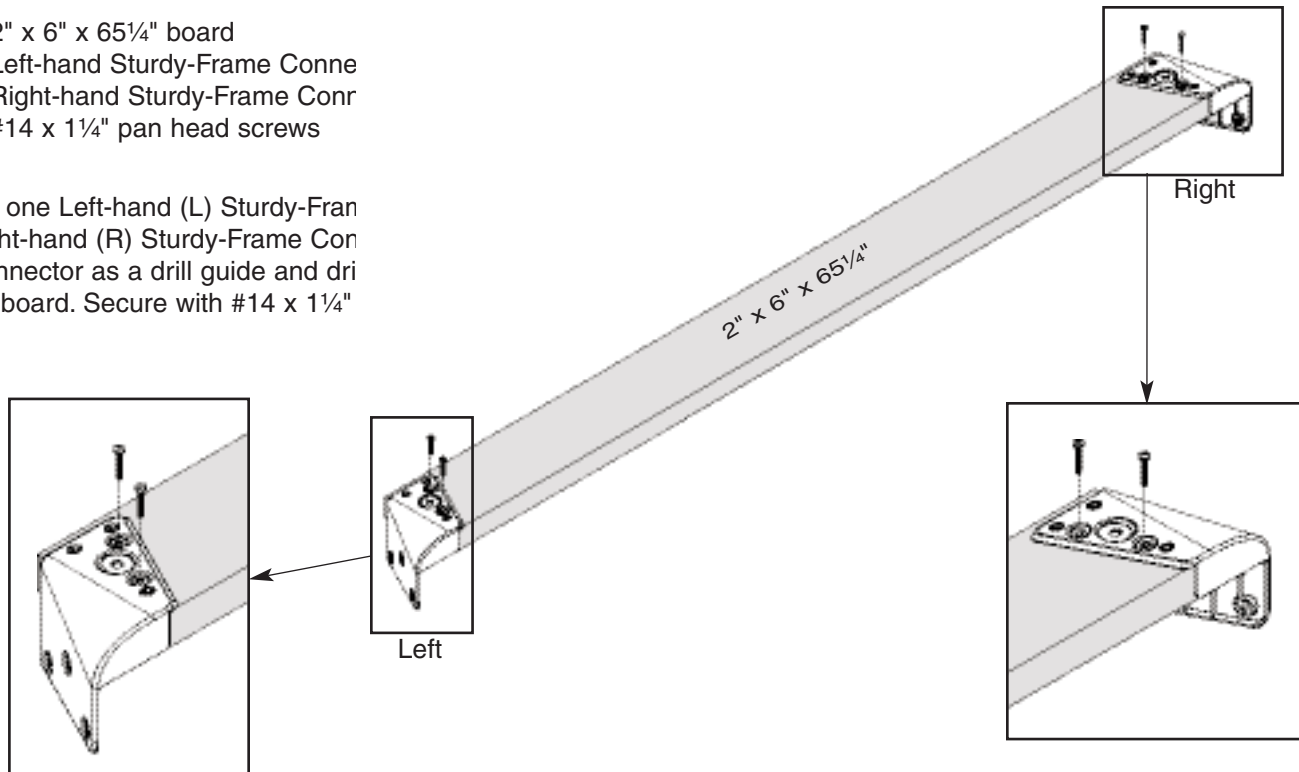
Note: These bolts are necessary to properly align the 4"x4" Assembly to beam at a later step.



Items for **STEP 3:**

- (1) 2" x 6" x 65 $\frac{1}{4}$ " board
- (1) Left-hand Sturdy-Frame Connector
- (1) Right-hand Sturdy-Frame Connector
- (4) #14 x 1 $\frac{1}{4}$ " pan head screws

Position one Left-hand (L) Sturdy-Frame Connector and one Right-hand (R) Sturdy-Frame Connector as a drill guide and drill into the board. Secure with #14 x 1 $\frac{1}{4}$ "



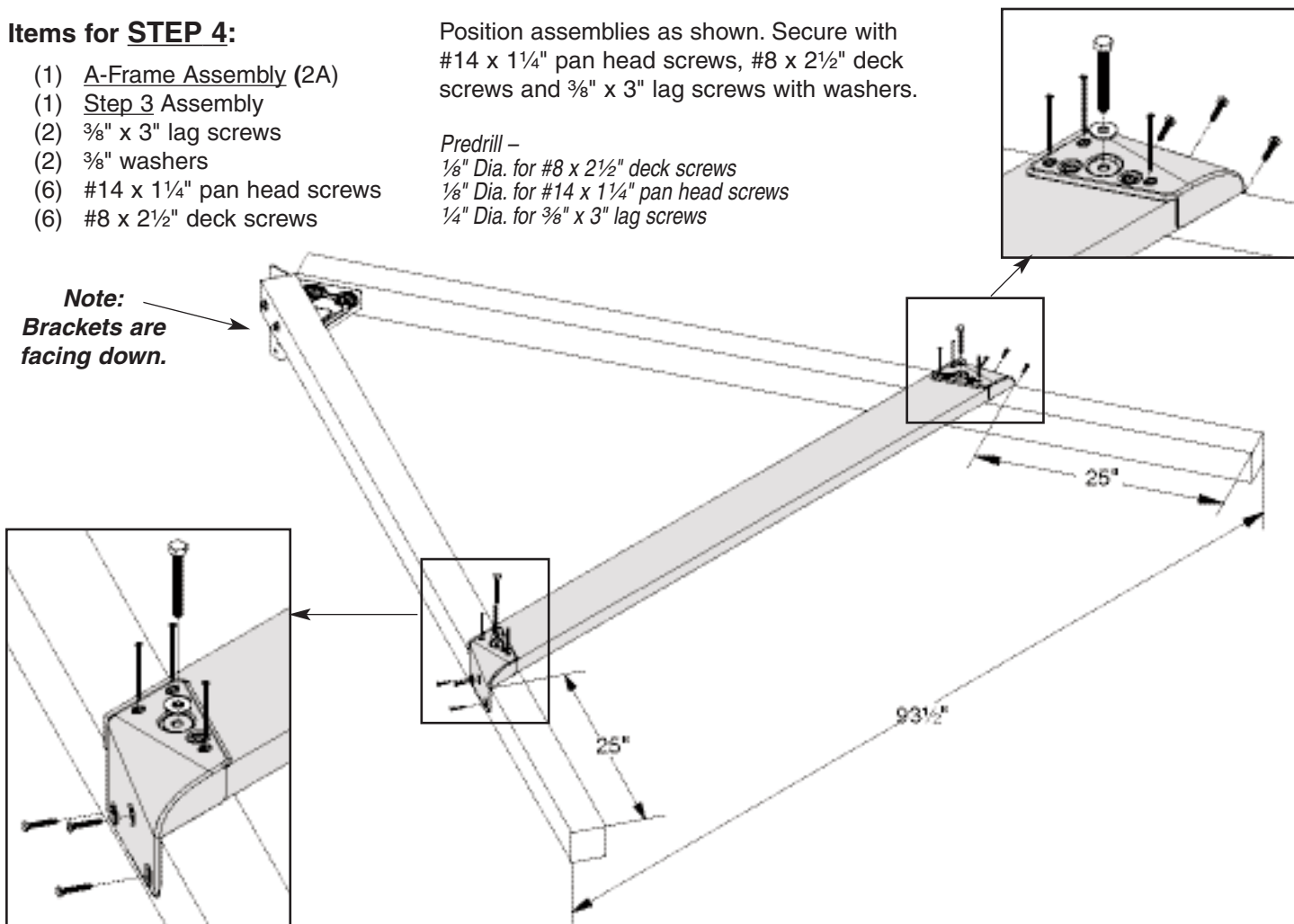
Items for **STEP 4:**

- (1) A-Frame Assembly (2A)
- (1) Step 3 Assembly
- (2) $\frac{3}{8}$ " x 3" lag screws
- (2) $\frac{3}{8}$ " washers
- (6) #14 x 1 $\frac{1}{4}$ " pan head screws
- (6) #8 x 2 $\frac{1}{2}$ " deck screws

Position assemblies as shown. Secure with #14 x 1 $\frac{1}{4}$ " pan head screws, #8 x 2 $\frac{1}{2}$ " deck screws and $\frac{3}{8}$ " x 3" lag screws with washers.

Predrill –
 $\frac{1}{8}$ " Dia. for #8 x 2 $\frac{1}{2}$ " deck screws
 $\frac{1}{8}$ " Dia. for #14 x 1 $\frac{1}{4}$ " pan head screws
 $\frac{1}{4}$ " Dia. for $\frac{3}{8}$ " x 3" lag screws

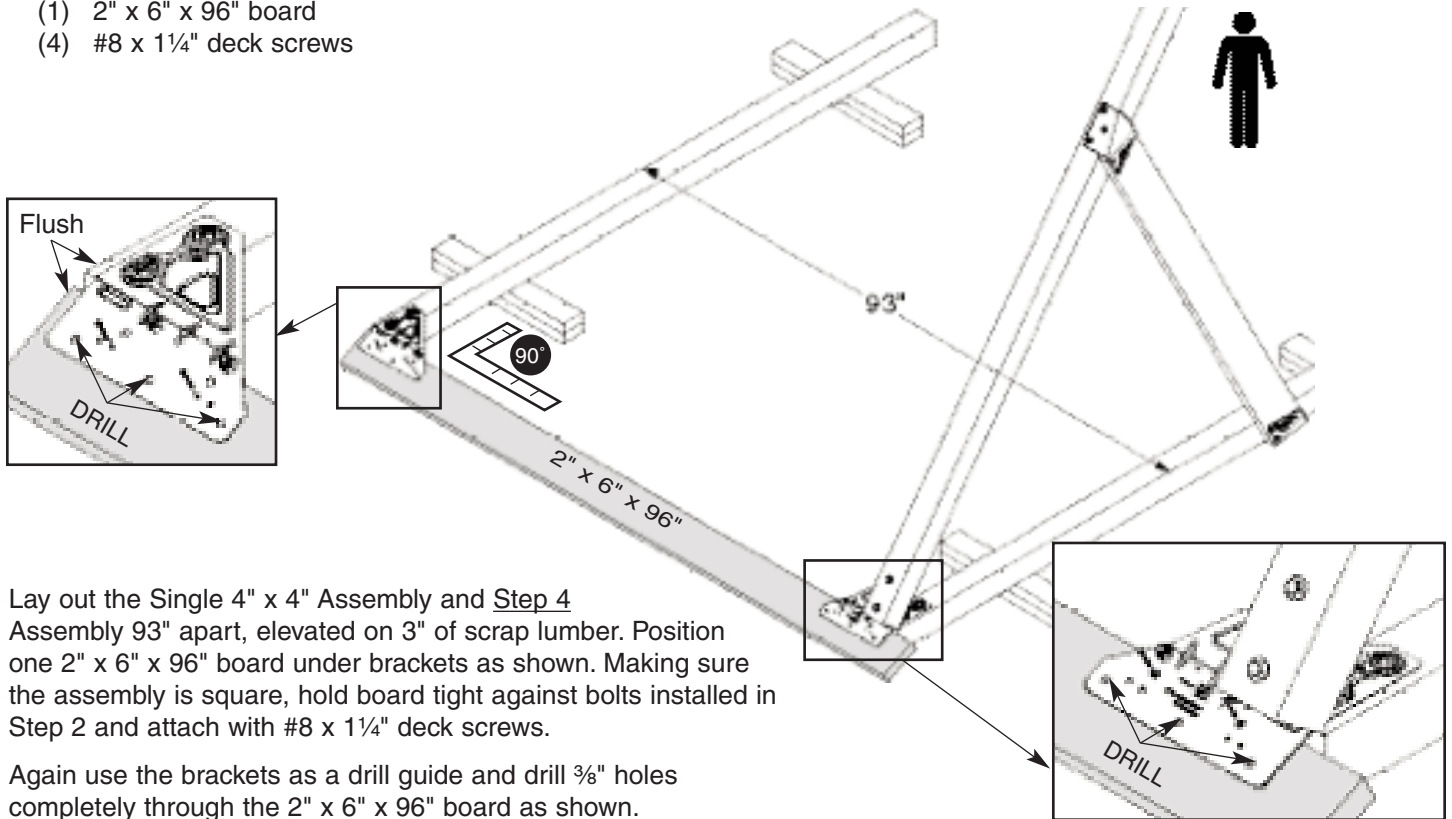
Note:
 Brackets are facing down.



Items for STEP 5:

- (1) Single 4" x 4" Assembly (2B)
- (1) Step 4 Assembly
- (1) 2" x 6" x 96" board
- (4) #8 x 1 1/4" deck screws

Helpful Hint: If you are standing here looking at the assembly, the A-Frame Assembly will be on your left side, the single 4" x 4" Assembly will be on your right side and the brackets will be pointing at each other.



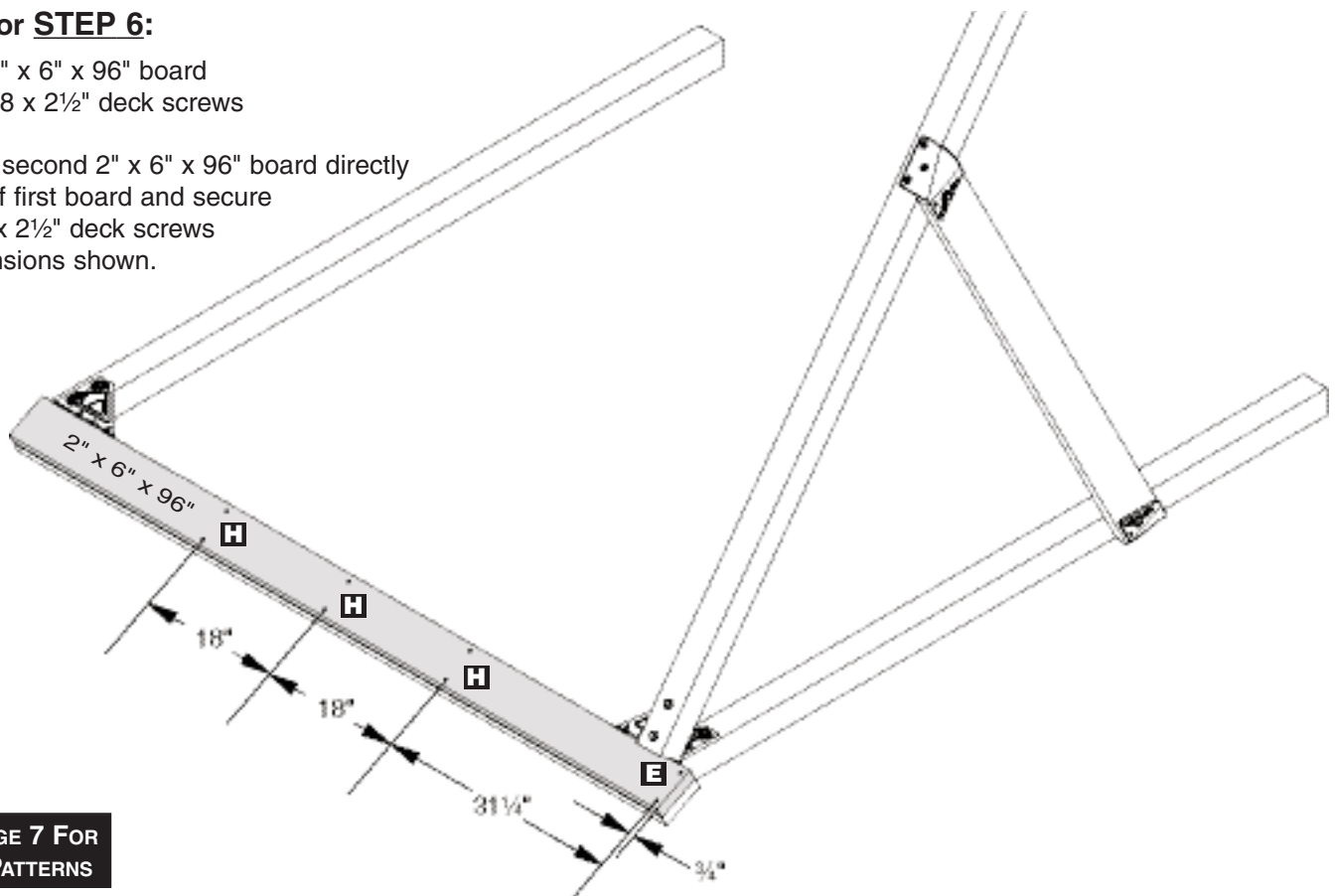
Lay out the Single 4" x 4" Assembly and Step 4 Assembly 93" apart, elevated on 3" of scrap lumber. Position one 2" x 6" x 96" board under brackets as shown. Making sure the assembly is square, hold board tight against bolts installed in Step 2 and attach with #8 x 1 1/4" deck screws.

Again use the brackets as a drill guide and drill 3/8" holes completely through the 2" x 6" x 96" board as shown.

Items for STEP 6:

- (1) 2" x 6" x 96" board
- (8) #8 x 2 1/2" deck screws

Position second 2" x 6" x 96" board directly on top of first board and secure with #8 x 2 1/2" deck screws at dimensions shown.



SEE PAGE 7 FOR HOLE PATTERNS

Items for **STEP 7:**

- (5) 3/8" x 4" hex bolts
- (10) 3/8" washers
- (5) lock nuts

Lift assembly onto saw horses as shown.

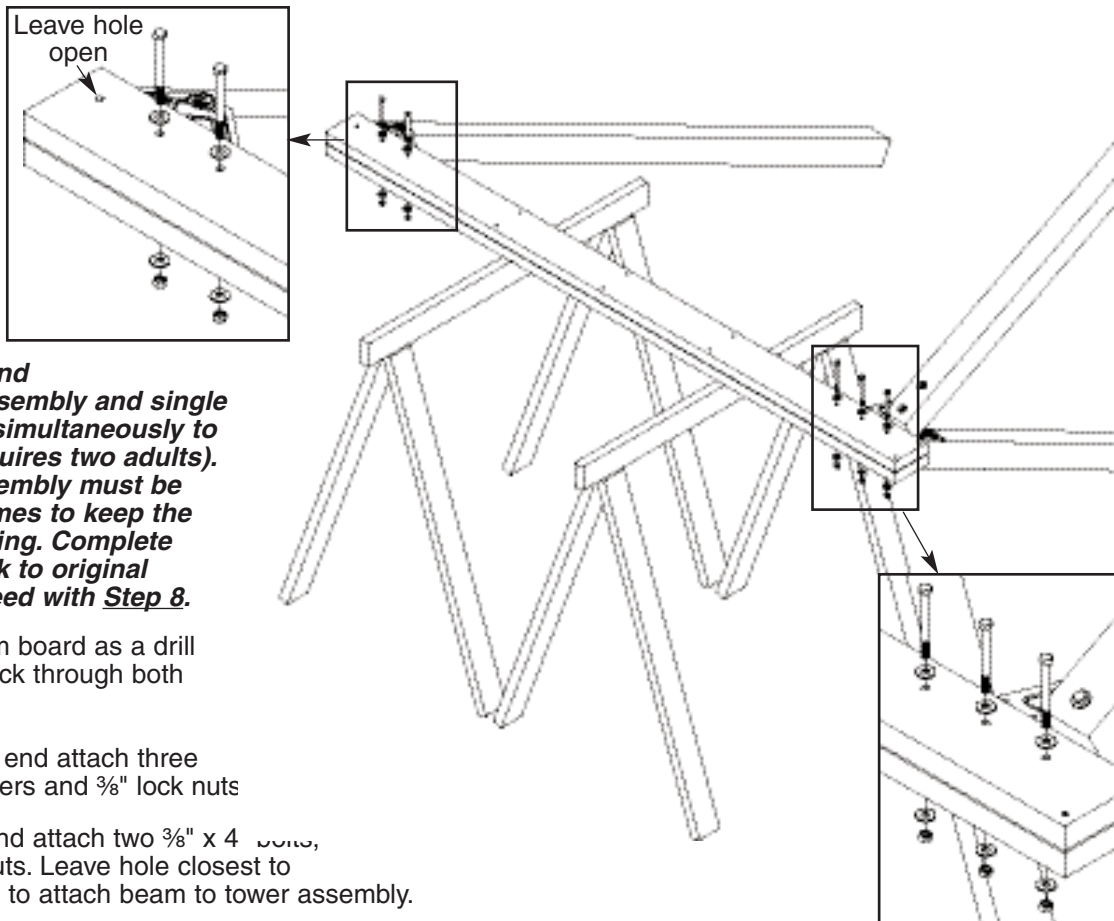
Note: *If you do not have saw horses, rest beam on ground and rotate A-Frame Assembly and single 4" x 4" Assembly simultaneously to the other side (requires two adults). Single 4" x 4" Assembly must be supported at all times to keep the bracket from bending. Complete **Step 7**. Rotate back to original position and proceed with **Step 8**.*

Use the holes in the bottom board as a drill guide and drill 3/8" holes back through both boards.

On the A-Frame Assembly end attach three 3/8" x 4" hex bolts, 3/8" washers and 3/8" lock nuts

On the 4" x 4" Assembly end attach two 3/8" x 4" bolts, 3/8" washers and 3/8" lock nuts. Leave hole closest to end open as it will be used to attach beam to tower assembly.

Note: *Cut off all protruding threaded ends of bolts with a hack saw flush to the end of the nut and remove sharp edges with a metal file.*



Items for **STEP 8:**

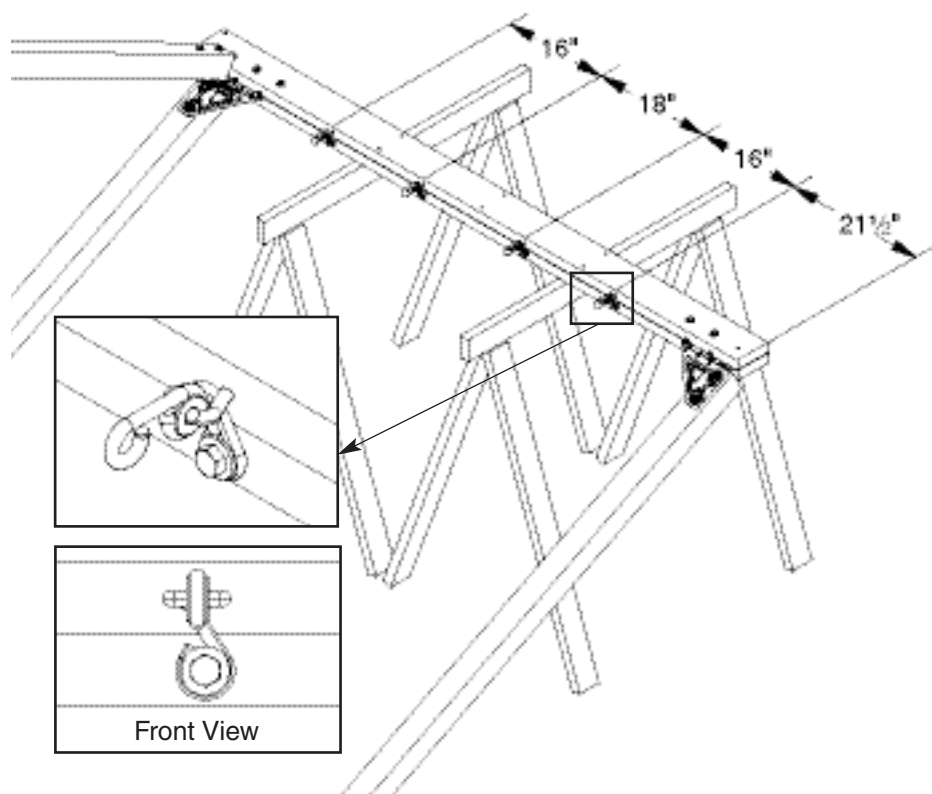
- (4) swing hangers
- (4) 3/8" x 3" lag screws
- (4) 3/8" washers

Mark the top board, on the bottom edge, at the dimensions shown.

Drill a 1/4" hole 2 1/2" deep in the center of the top board at each location.

Screw swing hangers into board by hand (a long screwdriver will help). Tighten swing hanger until loop is tight against adjoining board and swing hanger is positioned as shown.

Drill another 1/4" hole 2 1/2" deep in adjoining board through swing hanger loop and secure each swing hanger with one 3/8" x 3" lag screw and 3/8" washer.



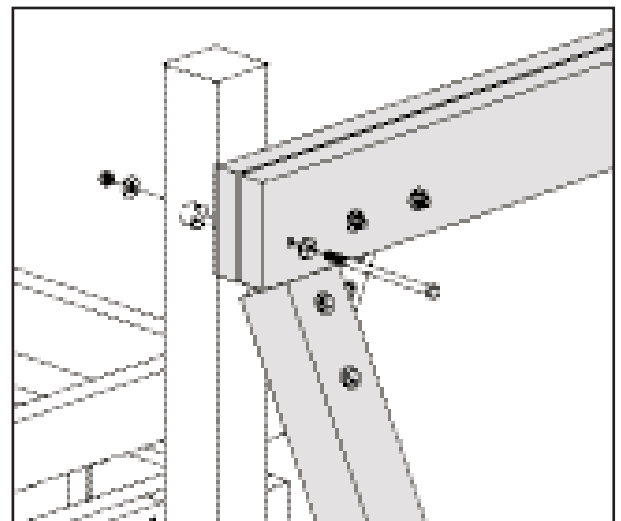
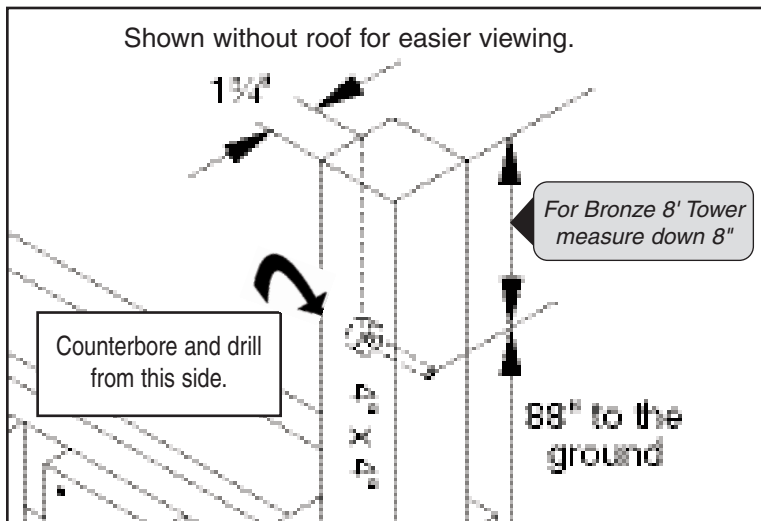
Items for STEP 9:

- (1) 3/8" x 7" hex bolt
- (2) 3/8" washers
- (1) 3/8" lock nut

On the 4" x 4" board of tower assembly where the Swing Station Assembly will be attached, measure and mark hole location (8" down and 1 3/4" from edge) as shown.

Drill a 1 1/8" counterbore 5/8" deep. Drill a 3/8" hole through the center of the counterbore and continue through the remainder of the 4" x 4" board.

Position Swing Station Assembly against tower and secure with one 3/8" x 7" hex bolt, washers and lock nut.

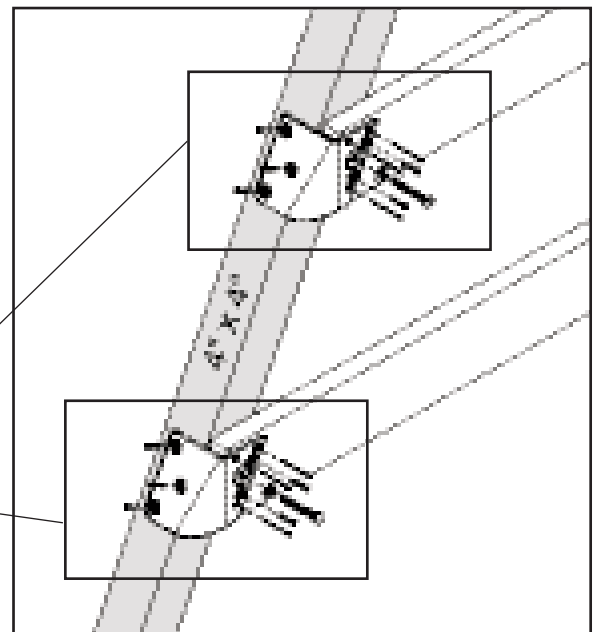
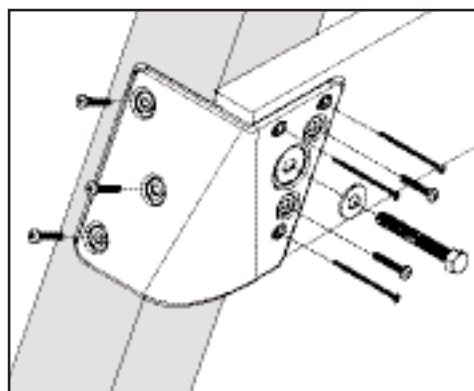


Items for STEP 10:

- (2) Left-hand Sturdy-Frame Connectors
- (10) #14 x 1 1/4" pan head screws
- (6) #8 x 2 1/2" deck screws
- (2) 3/8" x 3" lag screws
- (2) 3/8" washers

Secure the 4" x 4" board to tower with Left-hand Sturdy-Frame Connectors as shown.

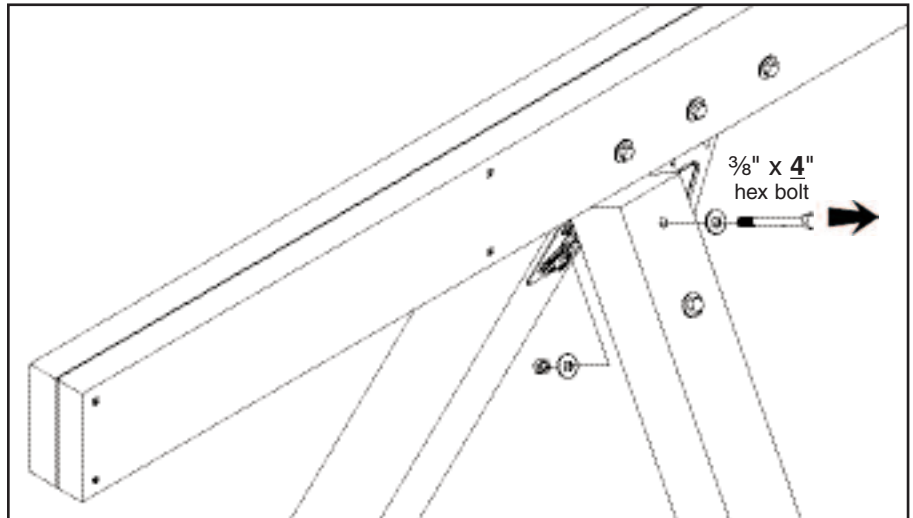
*Pre-drill –
 1/8" Dia. for #8 x 2 1/2" deck screws
 1/8" Dia. for #14 x 1 1/4" pan head screws
 1/4" Dia. for 3/8" x 3" lag screws*



STURDY-FRAME BRACE INSTALLATION

STEP 1: Remove the top $\frac{3}{8}$ " x 4" hex bolt, washers and lock nut from the post support as shown. (Save these parts because they will be used in [Step 3](#).)

Note: It is easiest to remove this bolt by continuing to rotate in a counterclockwise direction.

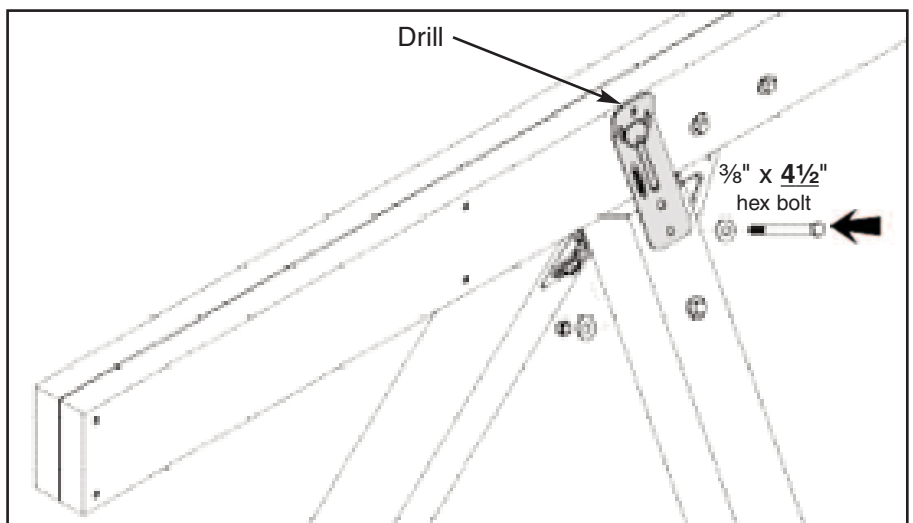


Items for **STEP 2:**

- (1) Sturdy-Frame Brace
- (1) 4 1/2" hex bolt
- (2) 3/8" washers
- (1) 3/8" lock nut

Install the Sturdy-Frame Brace as shown and secure with $\frac{3}{8}$ " x 4 1/2" hex bolt, washers and lock nut.

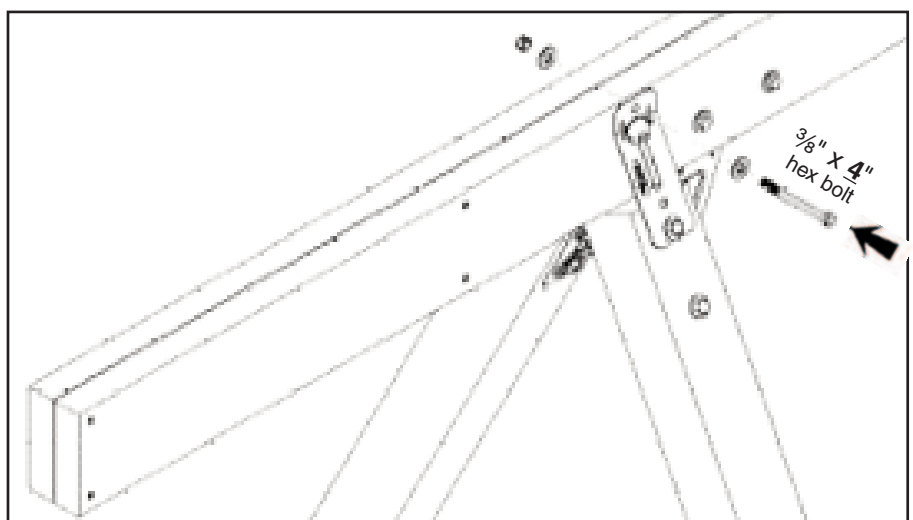
Make sure brace is square to beam. Using the brace as a template, drill a $\frac{3}{8}$ " hole completely through beam.



Items for **STEP 3:**

- (1) 4" hex bolt
 - (2) 3/8" washers
 - (1) 3/8" lock nut
- } Removed on [Step 1](#)

Secure the Sturdy-Frame Brace to the beam with the $\frac{3}{8}$ " x 4" hex bolt, washers and lock nut removed in [Step 1](#).

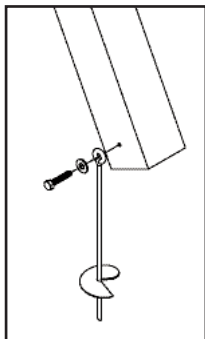


ANCHORING

At locations shown screw Playset Anchors into ground by hand (a long screwdriver will help).

Use the anchor as a drill guide and drill a $\frac{1}{4}$ " hole $2\frac{1}{2}$ " deep into the board. Attach with $\frac{3}{8}$ " x 3" lag screw and $\frac{3}{8}$ " washer.

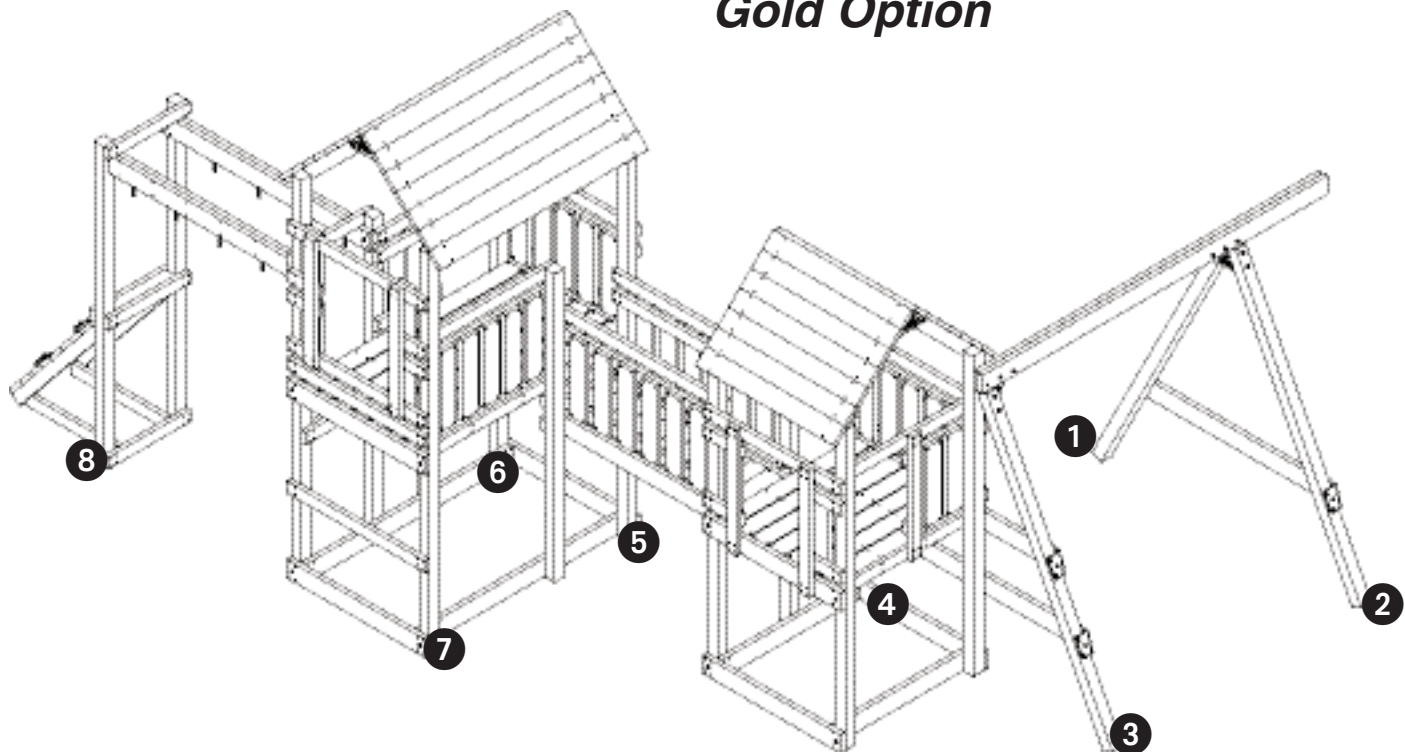
When anchoring at tower locations, back out existing $\frac{3}{8}$ " x 3" lag screw with washer. Screw anchor into ground until loop in anchor lines up with hole in tower. Re-install lag screw with washer to secure anchor.



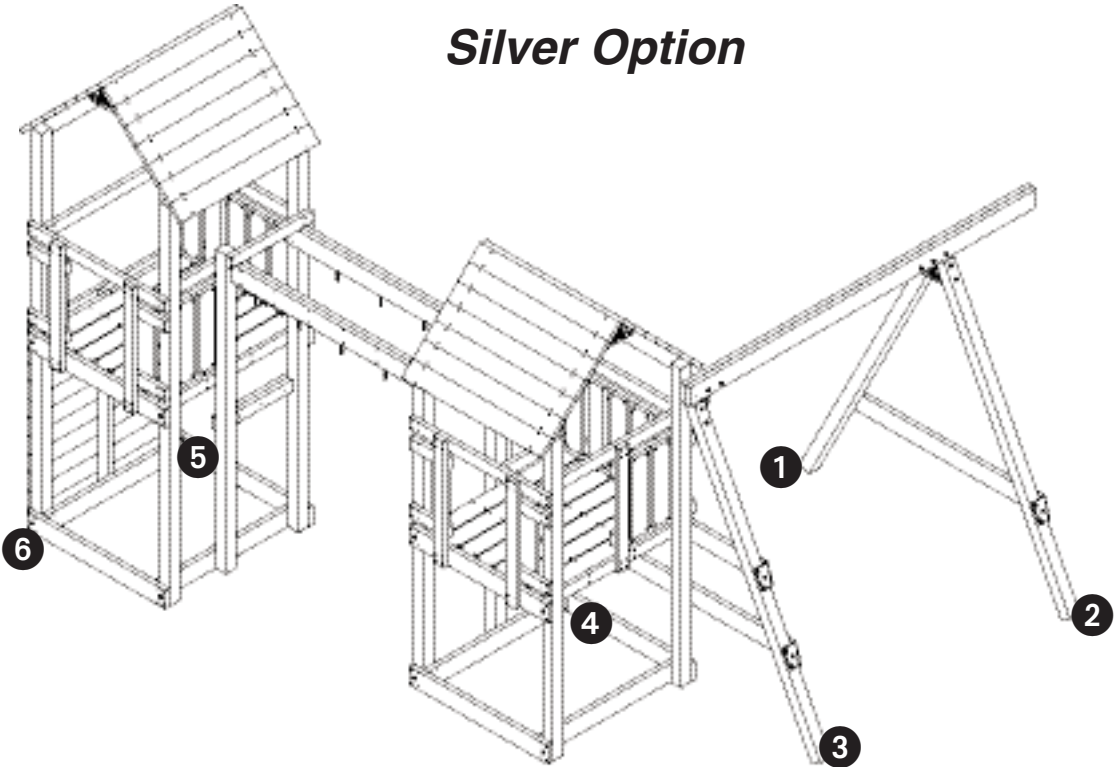
Note: *If soil conditions permit anchors to be pulled out easily, such as in sandy soil conditions, cementing is required. If your ground is too hard to screw in the anchors, or you are having trouble lining up anchor with existing hole in tower, you can remove the earth with a shovel. Install the anchors and compact the earth as you replace it. Anchors must be placed below the level of the shock-absorbing surfacing material to prevent tripping or injury resulting from a fall.*

Reminder: *Be sure to install proper shock-absorbing surfacing material. Refer to the Safety Guide at the beginning of this plan.*

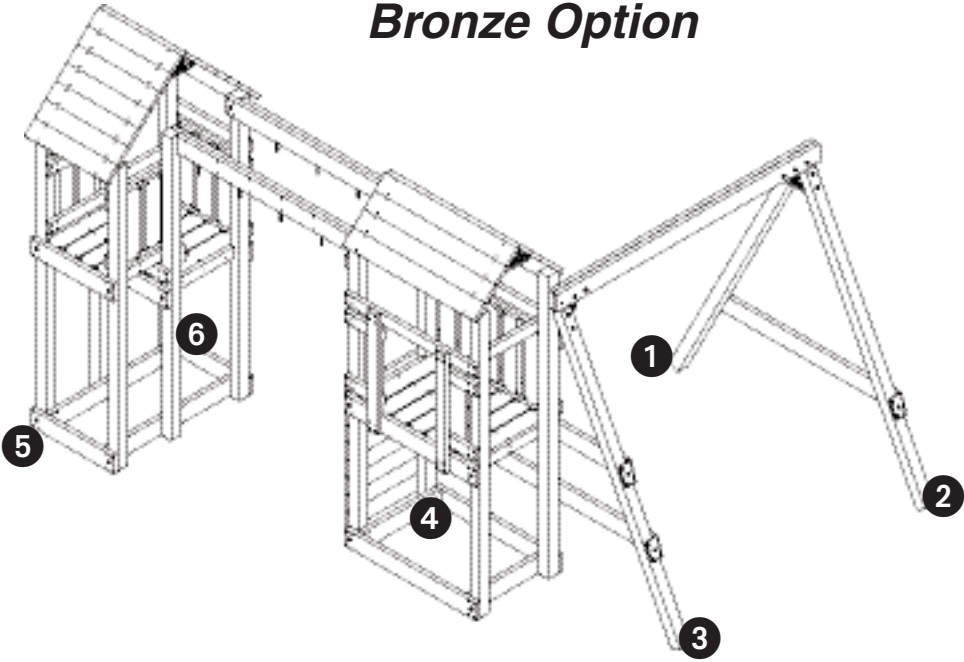
Gold Option



Silver Option



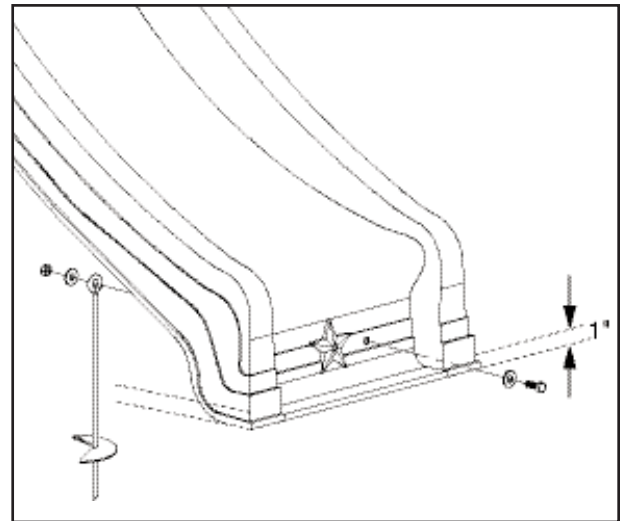
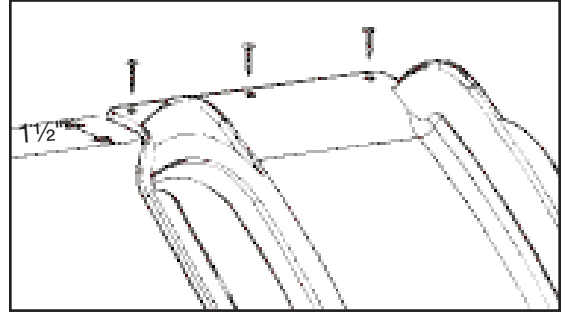
Bronze Option



SLIDE – Mounting Instructions

Scoop Slide - PS 8813, Scoop Wave Slide - PS 8814 or Giant Scoop Wave Slide - PS 8816

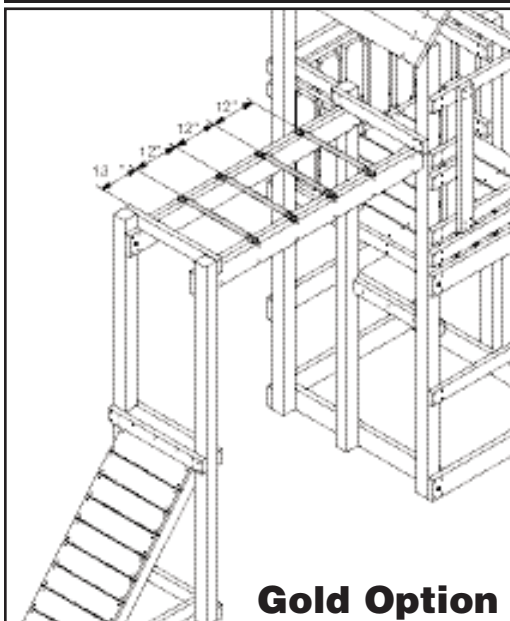
1. Align slide at right angle (90°) to 48" play deck. Lip of slide should rest on the play deck 1½". Using the slide as a template, mark play deck through the three holes in the slide. Drill three ⅛" holes at marked location.
2. Attach slide temporarily to play deck with three #14 x 1¼" pan head screws provided.
3. Prepare level area where slide touches ground that is 1" below surrounding grade.
4. Locate and mark the ground on the back side, on either side of the star. Remove slide and screw Playset Anchor into the ground (a long screwdriver will help). Screw the anchor deep enough so that the loop at the top of the anchor will be flat against the back surface of slide when the slide is in the final position.
5. Reinstall slide permanently, attaching it to play deck using #14 x 1¼" pan head screws provided.
6. Use the Playset Anchor as a drill guide and drill a ⅜" hole completely through the slide. Attach slide to anchor with one ⅜" x 1" hex bolt, two ⅜" washers and one ⅜" lock nut provided in the anchor kit.
7. Fill in around bottom of slide to make surface level to surrounding grade.



Caution: Failure to anchor the Slide properly could cause serious injury from children lifting the slide.

Caution: Do not install this slide over concrete, asphalt, packed earth, or any other hard surface. A fall onto a hard surface can result in serious injury to the equipment user.

Climbing Bar Attachment



Gold Option

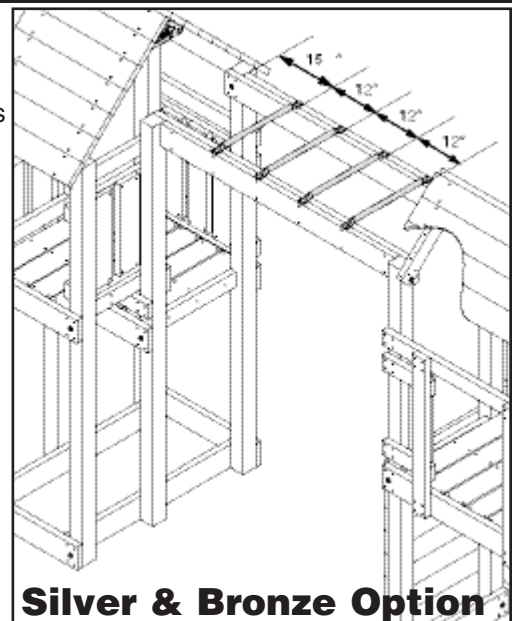
Items for CLIMBING BAR

- (4) Climbing Bars
- (16) #14 x 1¼" pan head screws

Attach Climbing Bars at dimensions shown. Use the Climbing Bar as a drill guide and drill ⅛" holes 1" deep in the boards.

Attach with #14 x 1¼" pan head screws.

IMPORTANT: The Climbing Bars must be positioned as specified, otherwise a head entrapment could exist.



Silver & Bronze Option

CLIMBING STEPS – Assembly Instructions

1. Place the left (L) step side rail on a flat work surface. Insert one 2" x 6" x 21" (Bronze) or 2" x 6" x 15½" (Gold) top step into the top hole.

Note: *This hole does not go completely through the side rail.*

2. Insert three 2" x 6" x 23½" (Bronze) or 2" x 6" x 18" (Gold) standard steps into the remaining holes until they are flush with the outside of the side rail. **(Fig. 1)**

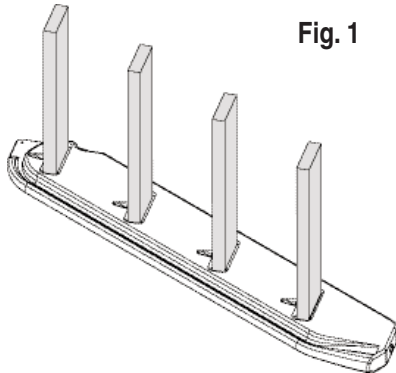


Fig. 1

3. Insert the right (R) step side rail on top of the existing boards until the standard boards are flush with the outside of the side rail. **(Fig. 2)**

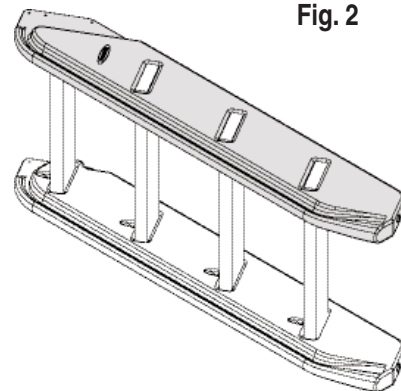


Fig. 2

4. Install the Climbing Steps Assembly to your tower: Position the Climbing Steps Assembly into the 21½" (Bronze) or 16" (Gold) opening of your play deck so that the top surface of the top step is flush with the top surface of the play deck. Push side rails of Climbing Step Assembly forward until they contact the play deck.

Note: *The steps must be positioned as specified, otherwise a head entrapment or tripping hazard could exist.*

5. Secure the Climbing Step Assembly to the play deck using three #14 x 1¼" pan head screws on each side as shown. **(Fig. 3)**

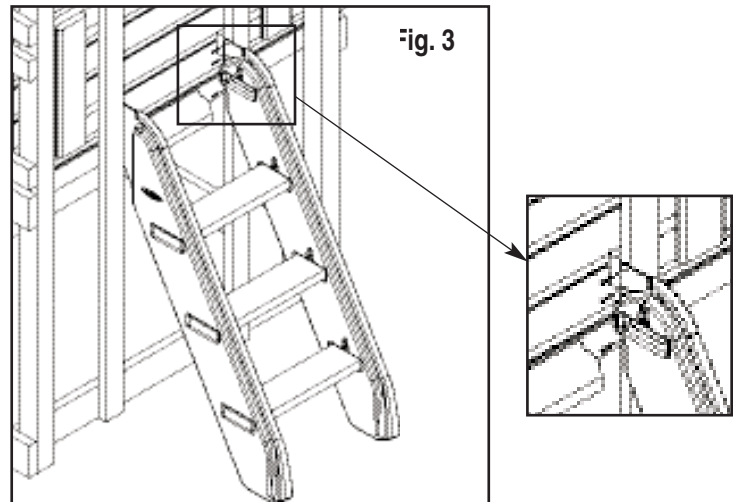


Fig. 3

6. Making sure that all of the standard steps are flush with the outside sides of the Climbing Steps Assembly, secure each step to the side rails using two #14 x 1¼" pan head screws for each step as shown. **(Fig. 4)**

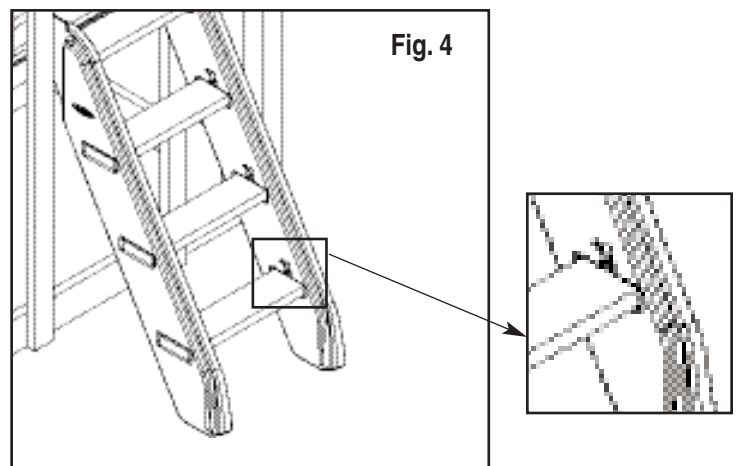
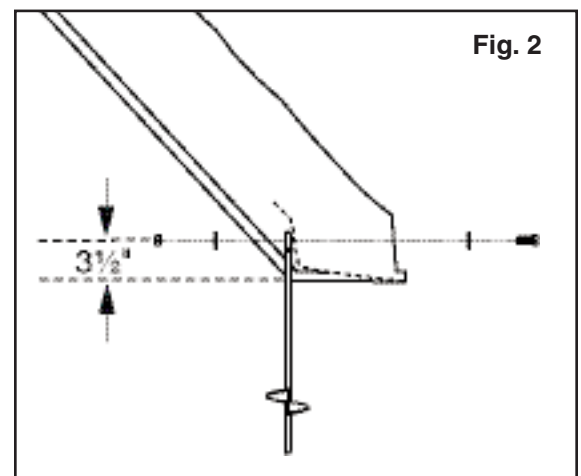
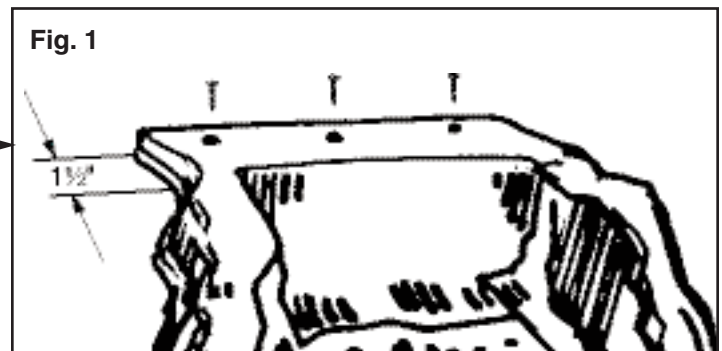
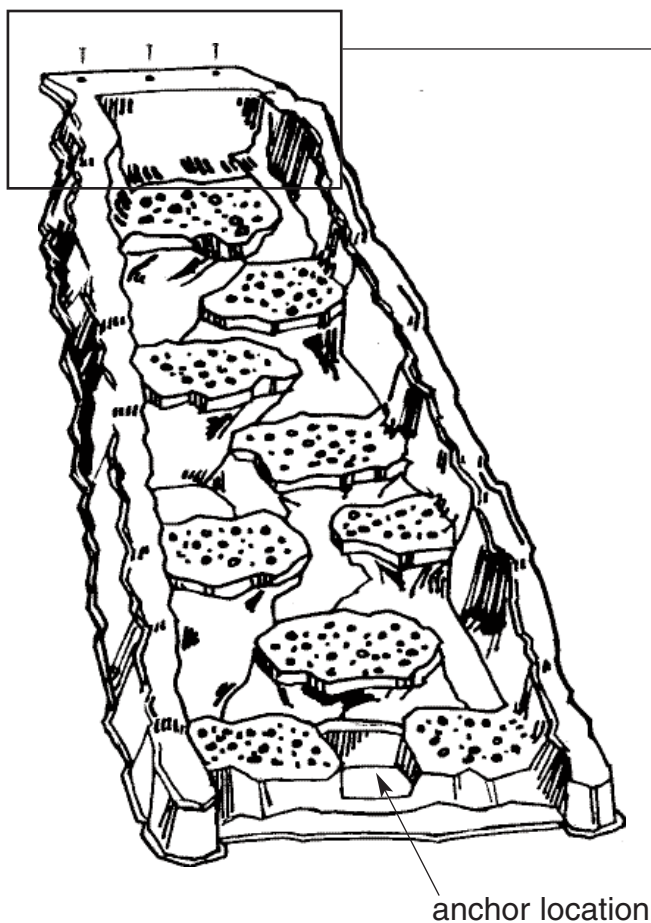


Fig. 4

CLIMBING WALL – Assembly Instructions

1. Align top of Climbing Wall at right angle 90°. Lip of climbing wall should rest on the play deck 1½". Using the Climbing Wall as a template, mark play deck through the three holes in the climbing wall. Drill three ⅛" holes at marked locations. **(Fig. 1)**
2. Attach Climbing Wall temporarily to play deck with three #14 x 1¼" pan head screws provided.
3. Prepare level area where Climbing Wall touches ground.
4. Locate and mark the ground on the back side and in center of Climbing Wall. Remove Climbing Wall and screw Playset Anchor into the ground (a long screwdriver will help). Screw the anchor deep enough so that the center of the loop at the top of the anchor will be approximately 3½" off ground when wall is in the final position.
5. Reinstall Climbing Wall permanently, attaching it to play deck using #14 x 1¼" pan head screws provided.
6. Use the anchor as a drill guide and drill a ⅜" hole completely through the Climbing Wall. Attach Climbing Wall to anchor with one ⅜" x 1¼" hex bolt, two ⅜" washers and one ⅜" lock nut provided in the anchor kit. **(Fig. 2)**

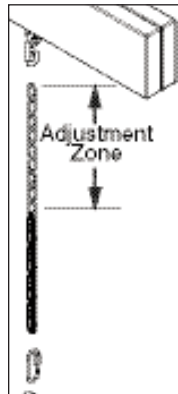
Warning: Failure to anchor the Climbing Wall properly could cause serious injury from children lifting the Unit.



COMPONENTS - Mounting Instructions

SWING SEAT • GYM RINGS

1. Attach coated ends of chains onto play component using Quick-Link Connectors provided. Tighten securely with an adjustable wrench.
2. Hook uncoated ends of chain onto Swing Hangers provided.
3. Customize the height of your **swing** or **gym rings** anywhere in the *Adjustment Zone*, to fit your child.

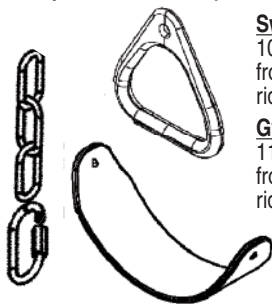


Swing Chain Spacing:

10" minimum spacing is required from the closest point of all other rides or stationary objects.

Gym Ring Chain Spacing:

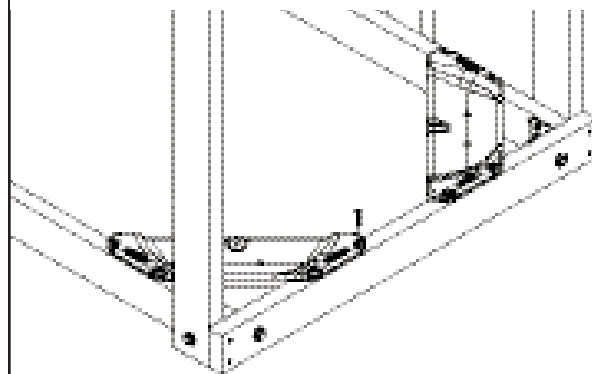
11½" minimum spacing is required from the closest point of all other rides or stationary objects.



Warning: Failure to tighten Quick Links securely could result in injury.

SAND BOX SEATS

1. Position sand box seats as shown and mark holes.
2. Drill ½" holes 1" deep into the board.
3. Attach with #14 x 1¼" pan head screws provided.



CLIMBING ROPE

1. Tie five knots, equally spaced, for climbing grips. (Fig. 1)
2. Insert rope through top hole and tie a knot with 4" remaining.
3. Insert opposite end through bottom hole, pull tight and tie a knot while keeping rope snug.
4. Secure both ends with staples provided (2 each end). (Fig. 2)

Note: If you do not have a bottom board, rope must be anchored to ground, using one Playset Anchor PS 7690. Tie rope to Quick-Link Connector and place through top of anchor. Tighten securely with an adjustable wrench. (Fig. 3)

front view

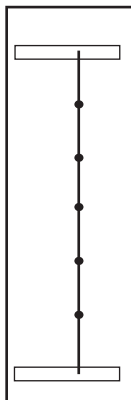


Fig. 1

back view



Fig. 2



Fig. 3

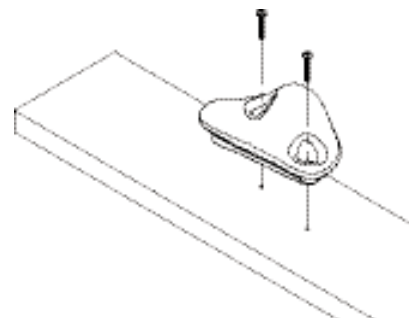
PLAY HANDLES

1. Position Play Handle at desired location.
2. Mark pilot holes.
3. Drill ½" holes 1" deep.
4. Fasten with #14 x 1¼" pan head screws provided.



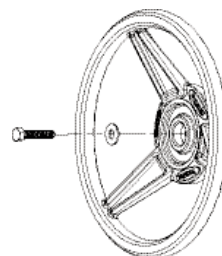
CLIMBING ROCKS

1. Position rocks at desired location.
2. Mark pilot holes.
3. Drill ½" diameter holes 1" deep.
4. Secure with two #14 x 1¼" pan head screws provided.



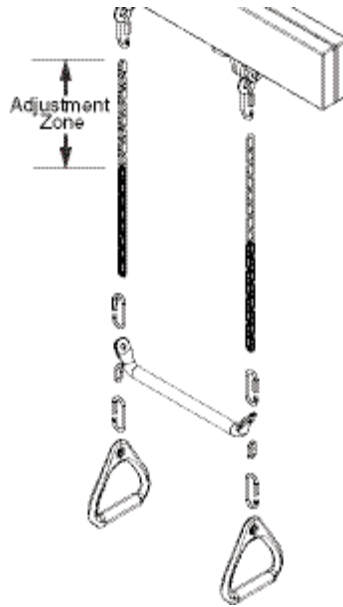
STEERING WHEEL

1. Place Steering Wheel at desired location.
2. Mark pilot hole.
3. Drill ¼" dia. hole 1" deep.
4. Secure ¾" x 2" lag screw and washer through center of steering wheel into hole with socket wrench and ⅝" socket.
5. Tighten screw enough to make wheel snug to wood, but still allowing it to turn.



COMMERCIAL GRADE TRAPEZE BAR

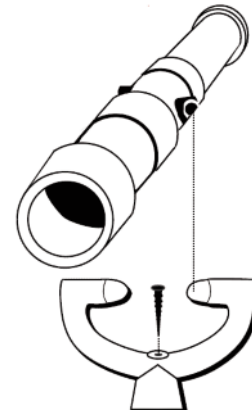
1. Hook uncoated ends of chain onto Commercial Grade Swing Hangers using Quick-Link Connectors included with PS 7576 (purchased separately). Tighten securely with an adjustable wrench.
 2. Using Quick-Link Connectors, attach the Trapeze Bar and a one-link chain onto coated ends of Gym Ring chains.
- NOTE: The one-link chain must hang under the Trapeze Bar. Tighten securely with an adjustable wrench.
3. Using Quick-Link Connectors, attach Gym Rings to a one-link chain. Tighten securely with an adjustable wrench.
 4. Customize the height of your Gym Ring/Trapeze Bar Combo, anywhere in the *Adjustment Zone*, to fit your child.



Warning: *Failure to Tighten Quick-Link Connectors securely could result in injury.*

DISCOVERY TELESCOPE

1. Determine desired location for pivot.
2. Drill a 1/8" diameter hole 1" deep.
3. Fasten pivot with #8 x 2 1/2" deck screw provided.
4. Snap Discovery Telescope onto pivot.



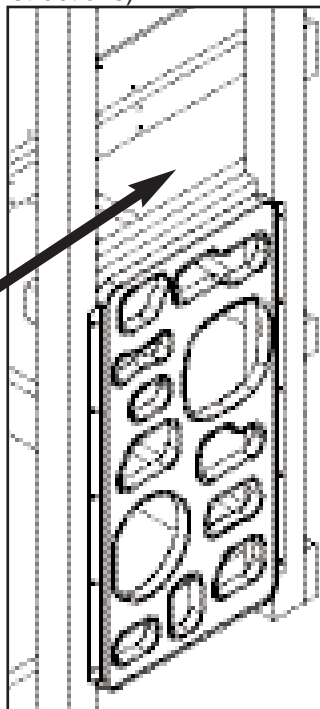
VERTICAL CLIMBER – Assembly Instructions

GOLD & SILVER OPTION

1. Position Vertical Climber so that the top is 15" below the 60" deck, (flush with the top of the board attached on Page 22, the Gold Back Tower Instruction or Page 41, the Silver Back Tower Instructions).

2. Drill 1/8" holes 1" deep into the board.

3. Attach with five #14 x 1 1/4" pan head screws (provided) on each side.



Warning

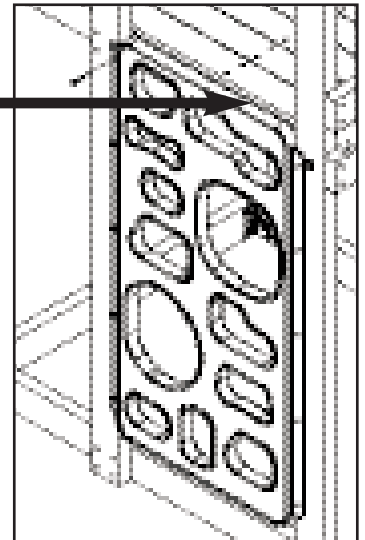
Gap must be greater than 9" or a head entrapment may exist.

BRONZE OPTION

1. Position Vertical Climber so that the top is flush with the top of the deck and mark pilot holes.
2. Drill 1/8" holes 1" deep into the board.
3. Attach with five #14 x 1 1/4" pan head screws (provided) on each side.

Warning

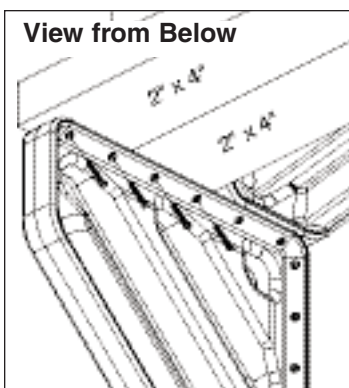
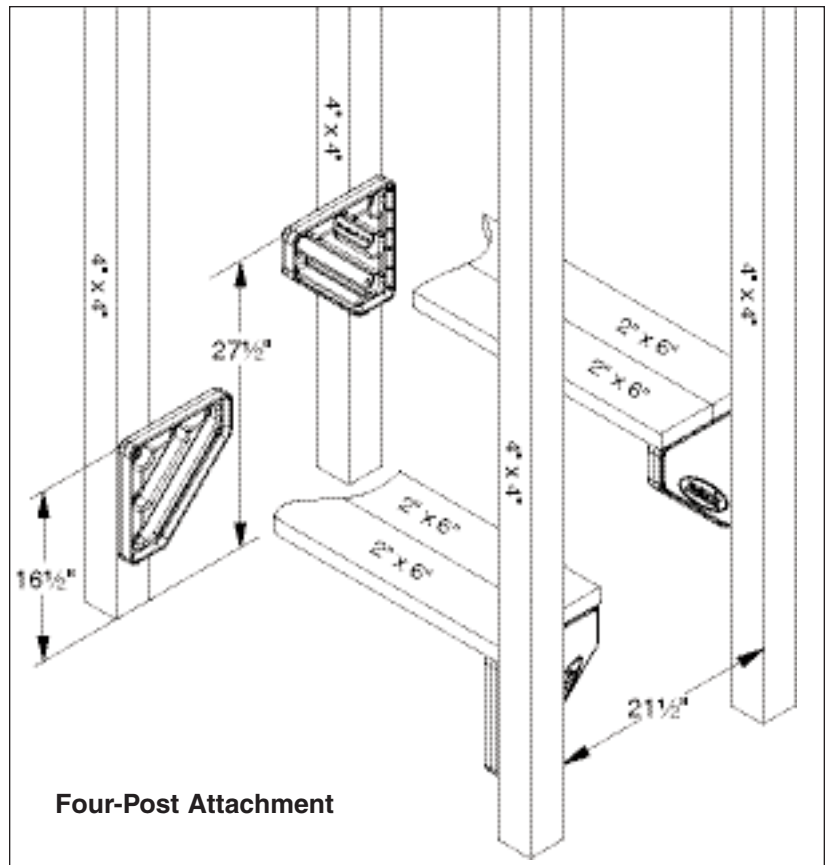
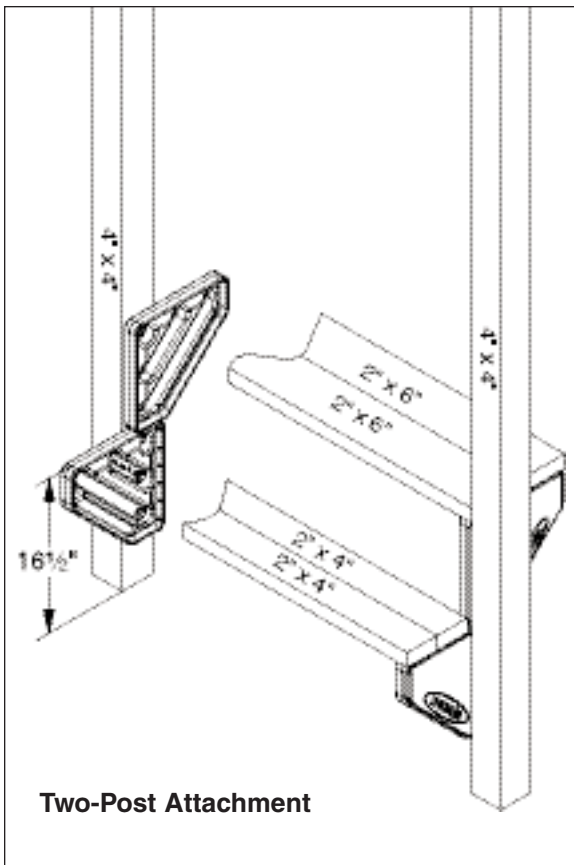
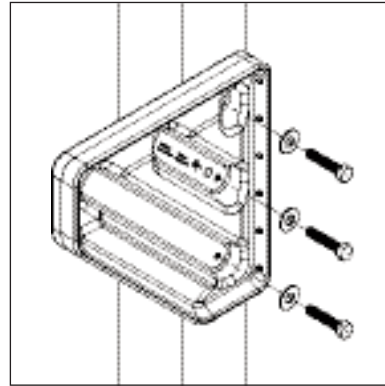
Gap between Vertical Climber and playset must not exceed 3 1/2" or a head entrapment may exist.



PICNIC TABLE – Assembly Instructions

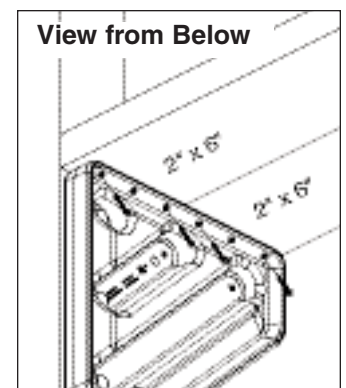
ATTACH BRACKETS TO TOWER

1. Position brackets at dimensions shown with edge flush with the side of 4" x 4". (See Two-Post or Four-Post Attachment.)
2. Use the indentations in the bracket as a drill guide and drill three ¼" holes through the bracket 1½" deep into the board.
3. Attach the brackets with ¾" x 2" lag screws and ¾" washers.



ATTACH BENCH/TABLE BOARDS TO BRACKETS

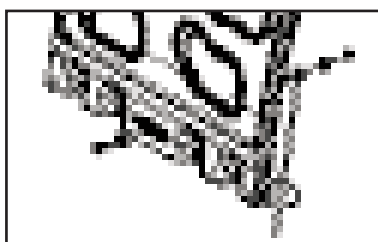
1. Position boards on top of brackets as shown.
2. Use the indentations in the bracket as a drill guide and drill ½" holes through the bracket 1" deep into the boards.
3. Secure board to bracket with #8 x 1¼" deck screws.



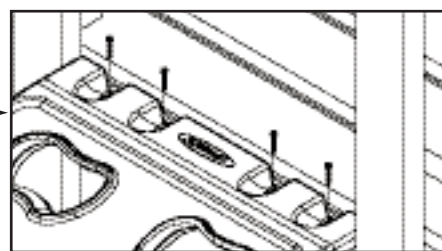
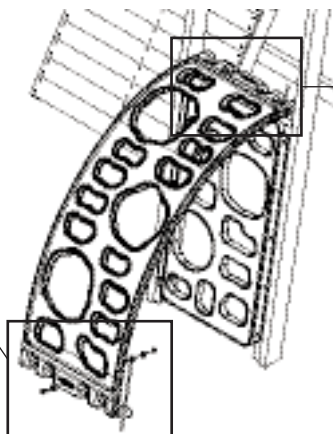
ARCH CLIMBER – Mounting Instructions

ARCH CLIMBER (PS 8872)

1. Place top end of the Arch Climber on top of the mounting board. Using the Arch Climber as a template, mark the mounting board through the four holes in the Arch Climber. Drill four $\frac{1}{8}$ " holes 1" deep at the marked locations.
2. Attach the Arch Climber temporarily to the mounting board with four #14 x $1\frac{1}{4}$ " pan head screws provided.
3. Locate the pocket on the underside of the Arch Climber where it meets the ground and mark ground where anchor is to be installed. Remove Arch Climber and screw anchor into the ground (a long screwdriver will help.) Screw the anchor deep enough so that the loop at the top of the anchor will be in the middle of the PlayStar logo when the Arch Climber is in the final position.
4. Reinstall Arch Climber permanently, attaching it to mounting board using #14 x $1\frac{1}{4}$ " pan head screws provided.
5. Use the anchor as a drill guide and drill a $\frac{3}{8}$ " hole completely through the Arch Climber. Attach Arch Climber to anchor with one $\frac{3}{8}$ " x 1" hex bolt, two $\frac{3}{8}$ " washers, and one $\frac{3}{8}$ " lock nut provided.

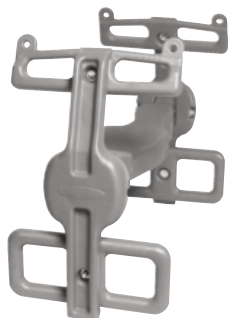





WARNING: If soil conditions permit anchor to be pulled out easily, such as in sandy soil conditions, cementing is required.



WARNING: The top of the Arch Climber must be flush with the top of the deck surface. If the top of the Arch Climber is above the deck surface a tripping hazard could exist.

USE THE INSTALLATION INSTRUCTIONS AND MOUNTING HARDWARE WHICH ARE SUPPLIED WITH THE FOLLOWING COMPONENTS

| | | |
|--|---|---|
| <p>AIR RIDER (PS 7958)</p>  | <p>SPEAK & SPY MEGASCOPE (PS 7838)</p>  | <p>SPIRAL TUBE SLIDE (PS 8820)</p>  |
| <p>COMMERCIAL GRADE TRAPEZE BAR (PS 7538)</p>  | | |



Thank You for choosing PlayStar. Because it is our intention to make this a positive family experience, we have taken great care in preparing this product. Should you have any questions, or if we can assist you in any way, please call our friendly Customer Service Department for immediate action.

Do not return to the store.

Please call us Toll Free at 1-888-PLAYSTAR
(752-9782)

Monday through Friday, 8:00 A.M. to 5:00 P.M. C.S.T.

Ask for Customer Service.

We Will Gladly Help!



PlayStar, Incorporated, Janesville, WI 53547

© 2006, PlayStar, Inc. Reproduction of this document in part or whole is prohibited without the permission of PlayStar, Inc.

Protected by one or more of the following United States or Foreign Patents: US D418,189; US D409,708; US D424,154; US D428,637; US 6,402,663; US D422,332; US D410,059; US 6,068,557; US 6,302,801; US 6,482,095; US 6,039,654; US D410,060; US D424,649; US 6,361,445; CA 2,304,345; US 6,540,645; US 6,709,365; US 6,942,600; US D513,779; US 6,991,550; CA D109,228; CA D109,224; CA D109,225; CA 2,304,113; US 6,629,907; US D517,636; US D518,530; US D520,590; US 520,591; US D534,613; US 7,186,183; US 7,189,034; US 7,253,951; US D548,760; US 7,304,810; CA D109,227; CA D109,226; CA D112,355; CA D113,437; CA D113,442; CA D114,067; CA D114,068; CA 2,304,896; CA D119,674; US D573,222; US 7,419,437; CA 2,304,068; CA 2,488,576; US D580,507; US D585,570; CA 2,490,923; CA 2,304,341; US 7,594,875; CA 2,304,043; CA 2,529,276; CA 2,633,628; CA 2,633,056; US 7,594,875; CA 2,498,701; CA 2,495,136; CA 2,488,600